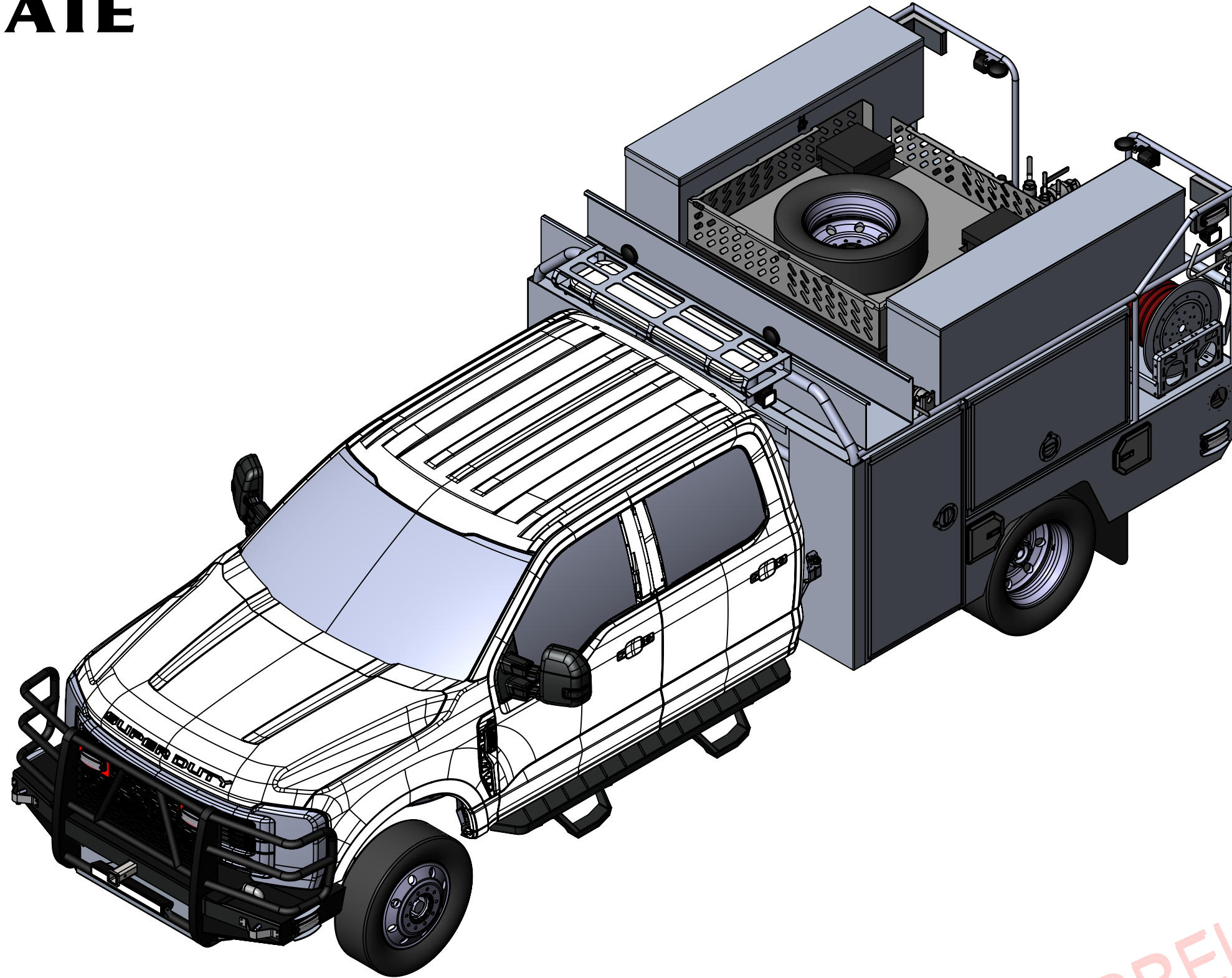


PROPERTY OF

SKEETER EMERGENCY VEHICLES

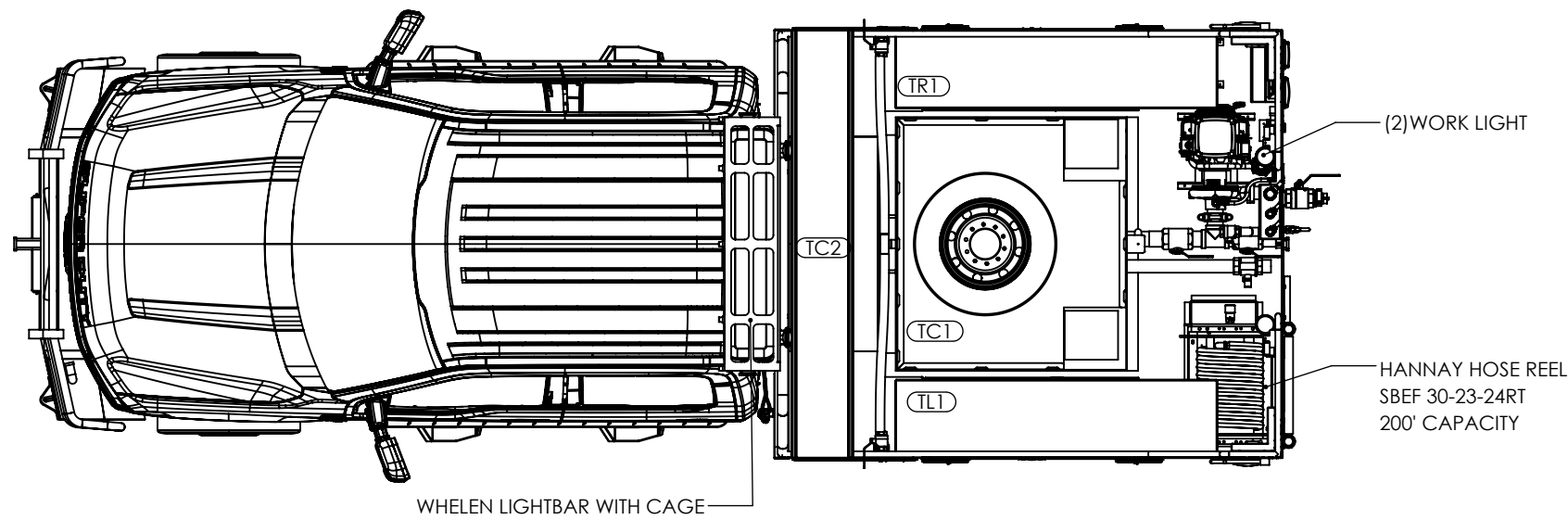
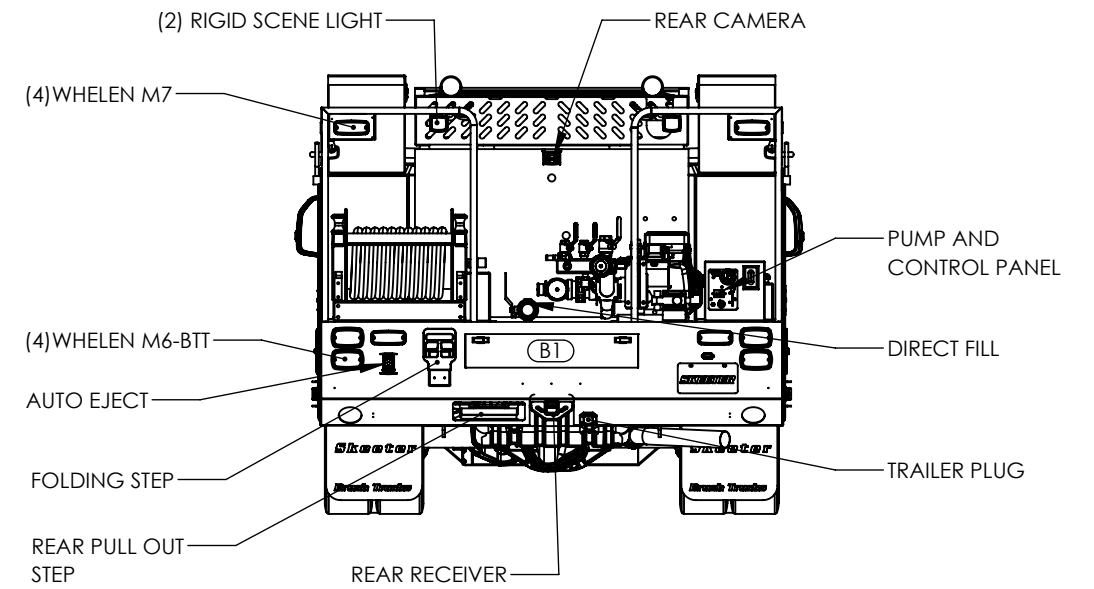
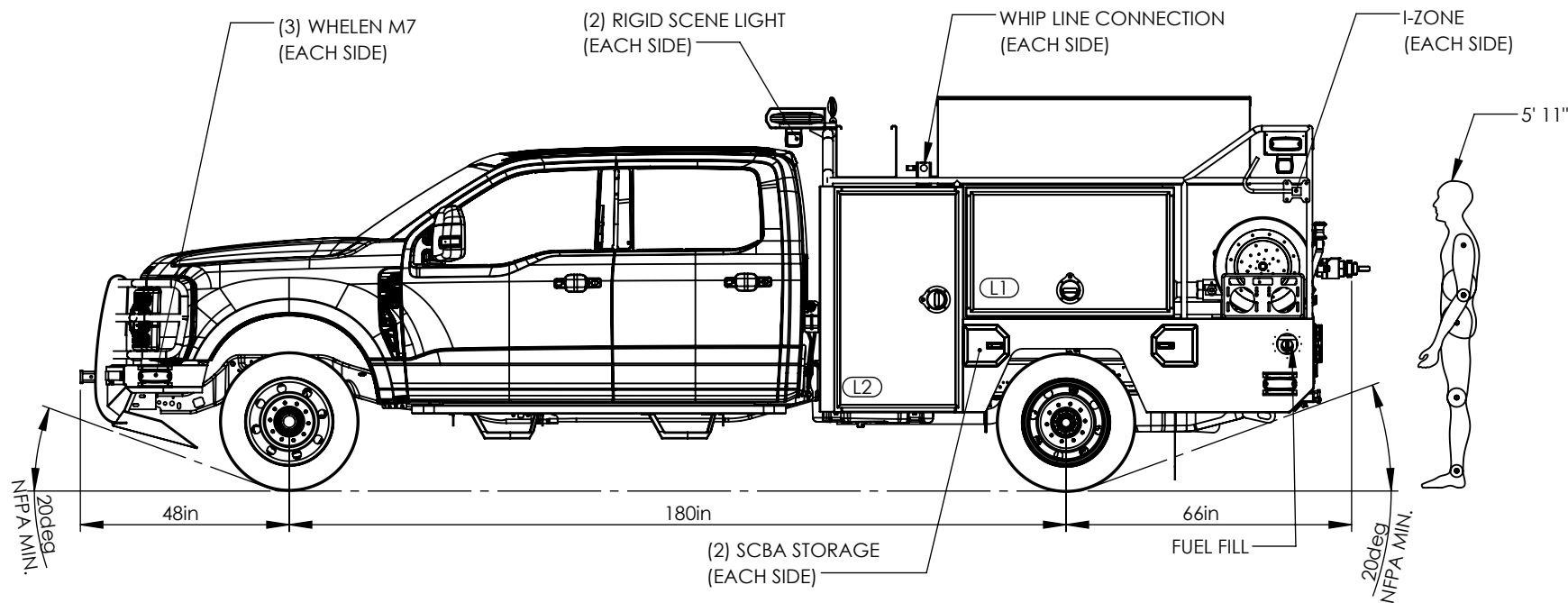
PREPARED FOR

OREGON STATE

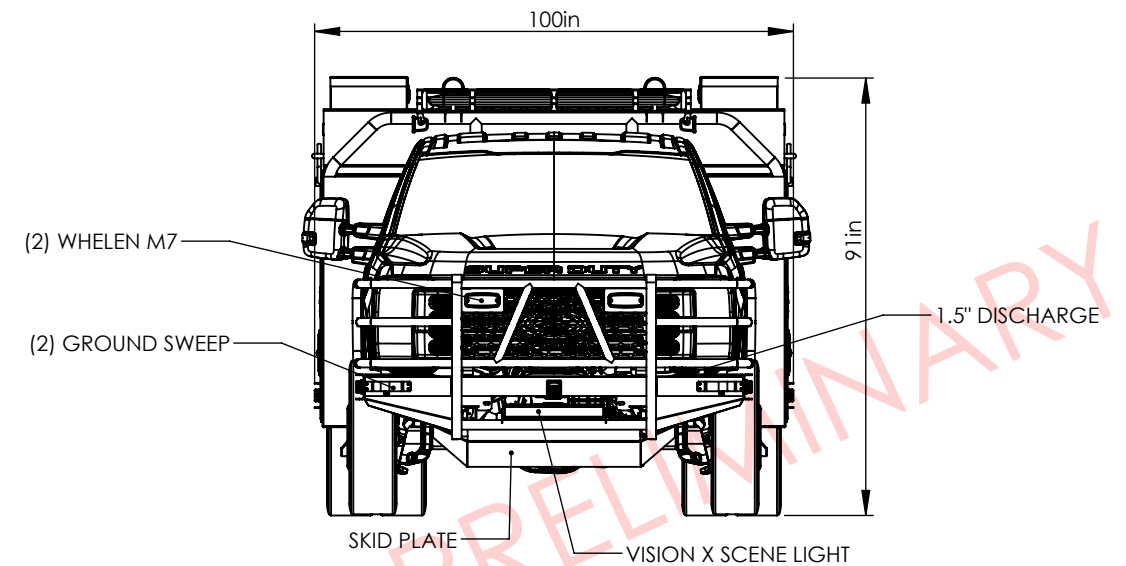
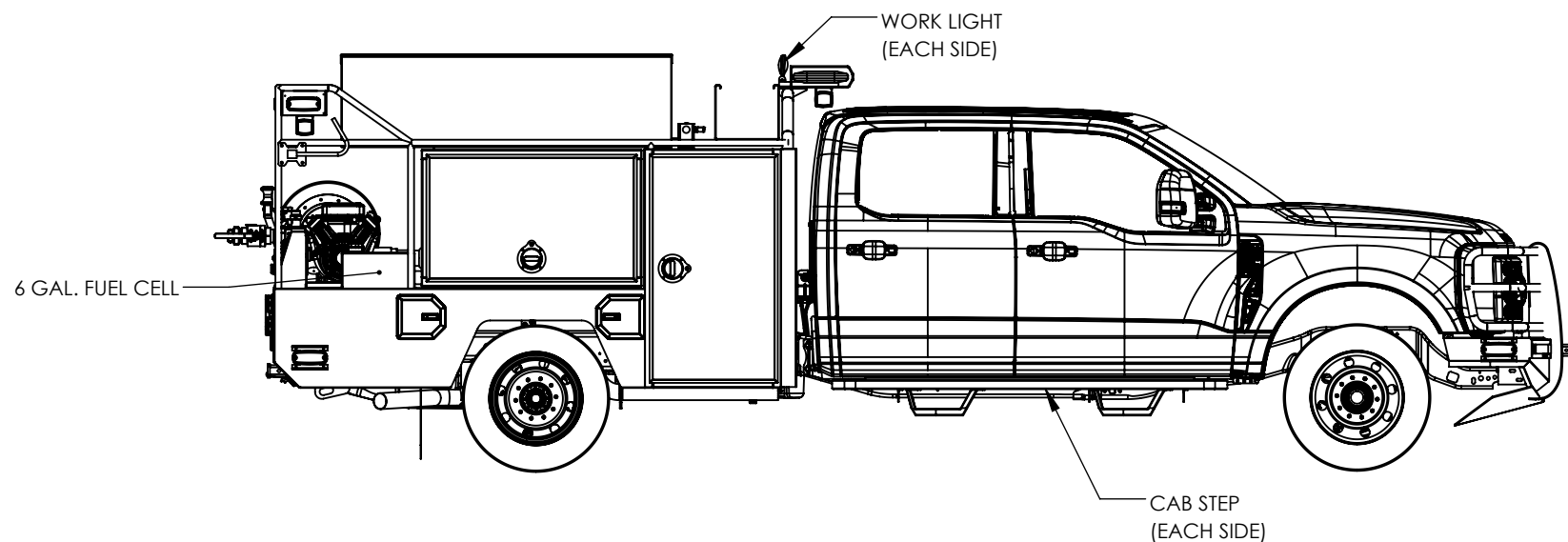


PRELIMINARY

PREPARED FOR: OREGON STATE	JOB NO. 14806	TITLE: COVER PAGE	SPEC NO. 6927	DRAWN BY: RUSSELL L.	SCALE: 1:25
			SPEC DATE: 9/15/2022	PRINT DATE: 6/19/2023	SHEET 1 OF 3



<i>NWCG TYPE 6 WILDLAND ENGINE</i>	
<i>CHASSIS:</i>	F-550 CREW CAB
<i>BODY:</i>	114 RESCUE SIDE
<i>FRONT BUMPER:</i>	RANCHHAND OFF-ROAD
<i>PUMP:</i>	DARLEY 2 BE 18V
<i>WATER TANK:</i>	400 GALLONS WATER, 15 GALLONS FOAM



PROPERTY OF
SKEETER EMERGENCY VEHICLES

NOTE: DETAILS AND DIMENSIONS SHOWN ARE APPROXIMATE AND ARE SUBJECT TO MINOR DEVIATIONS AS MAY OCCUR OR BE NECESSARY IN CONSTRUCTION. MINOR DETAILS NOT SHOWN.

PREPARED FOR:

OREGON STATE

JOB NO.

14806

TITLE:

OVERVIEW

SPEC NO. 6927

SPEC DATE: 9/15/2022

DRAWN BY:

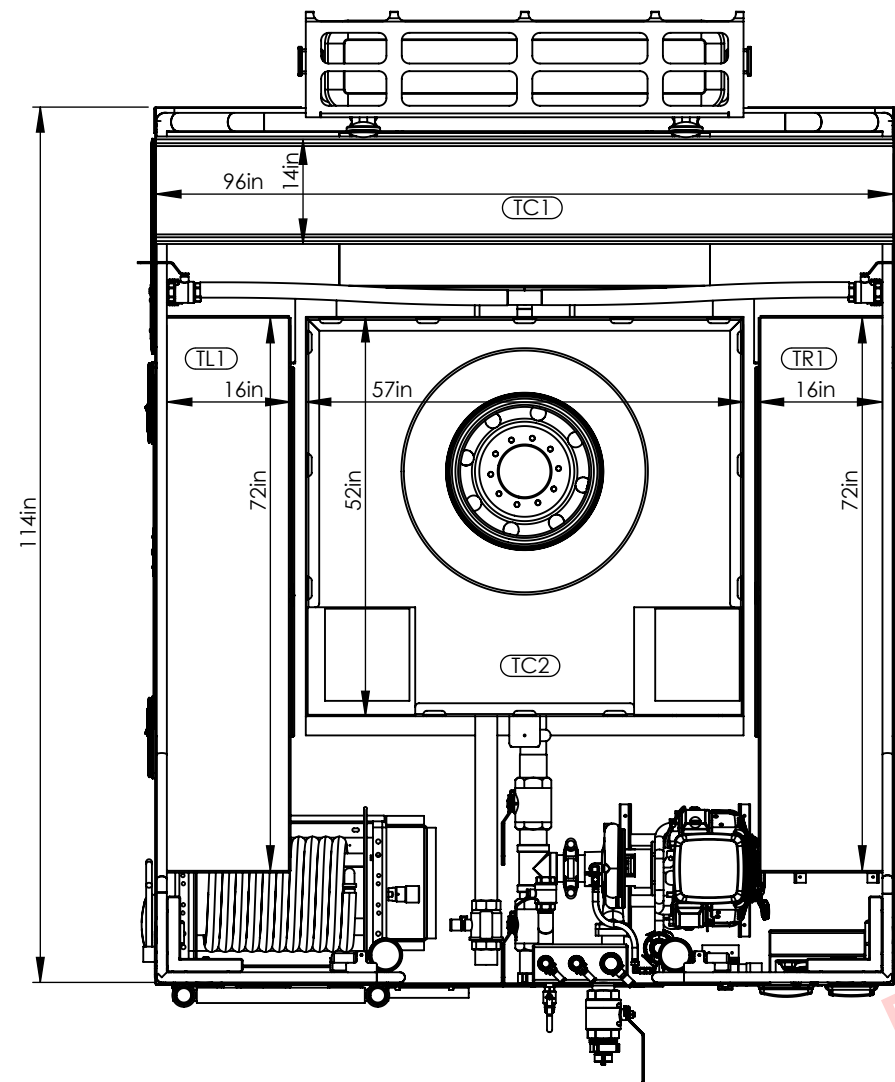
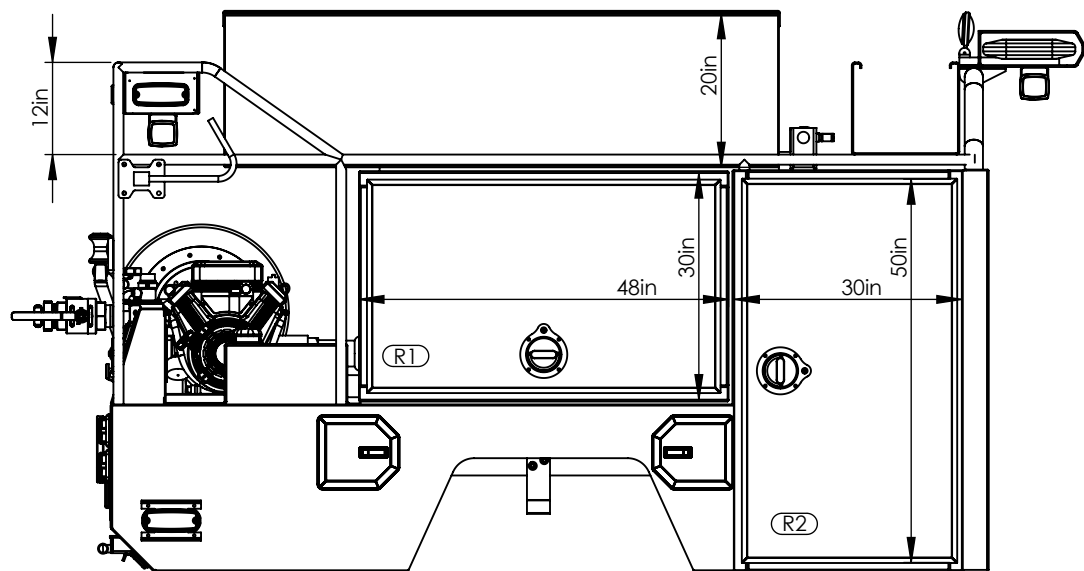
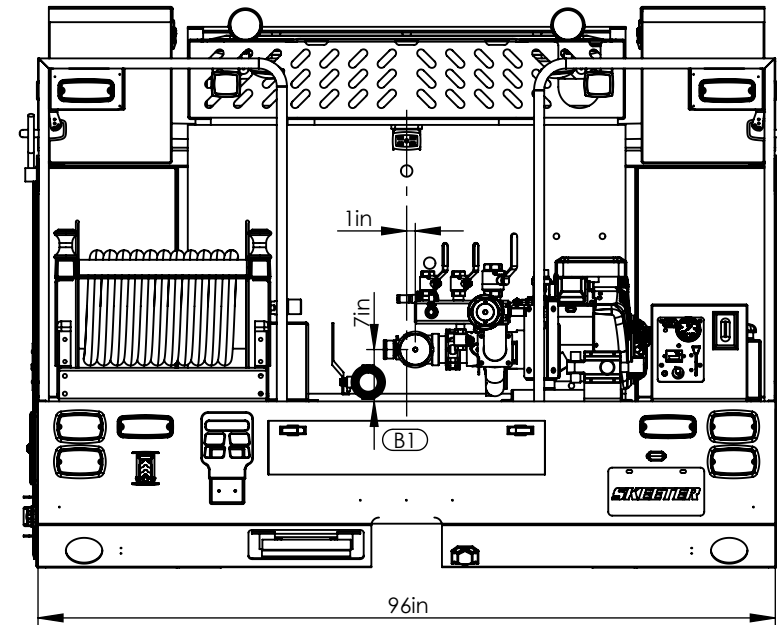
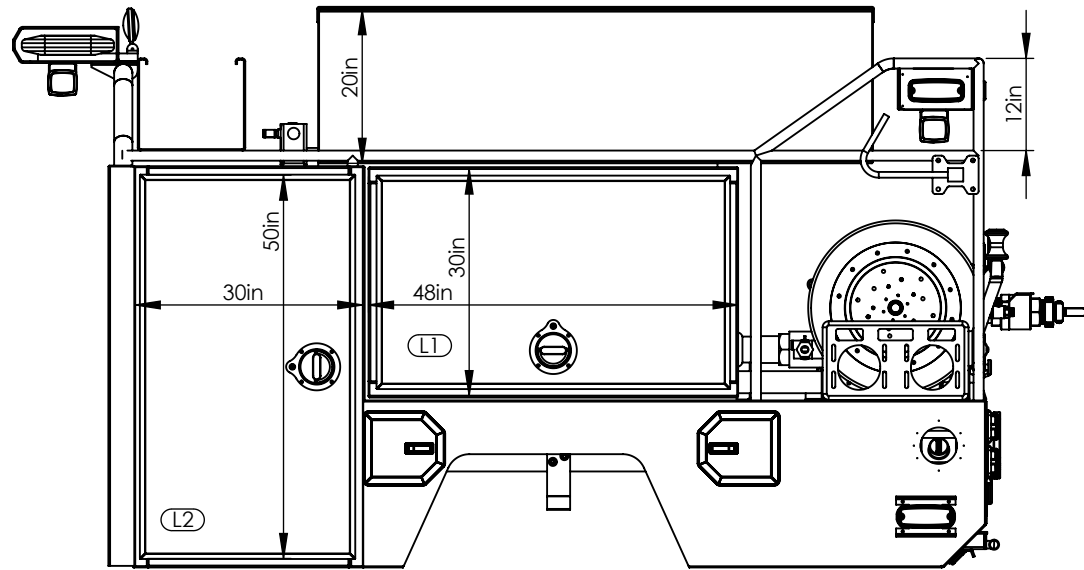
RUSSELL L.

PRINT DATE: 6/19/2023

SCALE:

1:40

SHEET 2 OF 3



COMPARTMENTS

L1/R1	HEIGHT: 30" WIDTH: 48" DEPTH: 18"	UPPERBODY
L2/R2	HEIGHT: 50" WIDTH: 30" DEPTH: 24"	FRONT RESCUE
TC1	HEIGHT: 12" WIDTH: 14" LENGTH: 96"	TRANSVERSE HOSE BED
TC2	HEIGHT: 10" WIDTH: 57" LENGTH: 52"	TANK TOP STORAGE
TL1	HEIGHT: 20" WIDTH: 16" LENGTH: 72"	TOOL TRAY
TR1	HEIGHT: 20" WIDTH: 16" LENGTH: 72"	TOOL TRAY
B1	HEIGHT: 6" WIDTH: 32" DEPTH: 108"	REAR CENTER UNDERBODY

PROPERTY OF
SKEETER EMERGENCY VEHICLES

NOTE: DETAILS AND DIMENSIONS SHOWN ARE APPROXIMATE AND ARE SUBJECT TO MINOR DEVIATIONS AS MAY OCCUR OR BE NECESSARY IN CONSTRUCTION. MINOR DETAILS NOT SHOWN.

PREPARED FOR:
OREGON STATE

JOB NO.
14806

TITLE:
BED OVERVIEW

SPEC NO. 6927
SPEC DATE: 9/15/2022

DRAWN BY: RUSSELL L.
PRINT DATE: 6/19/2023

SCALE:
1:25
SHEET 3 OF 3

PRELIMINARY