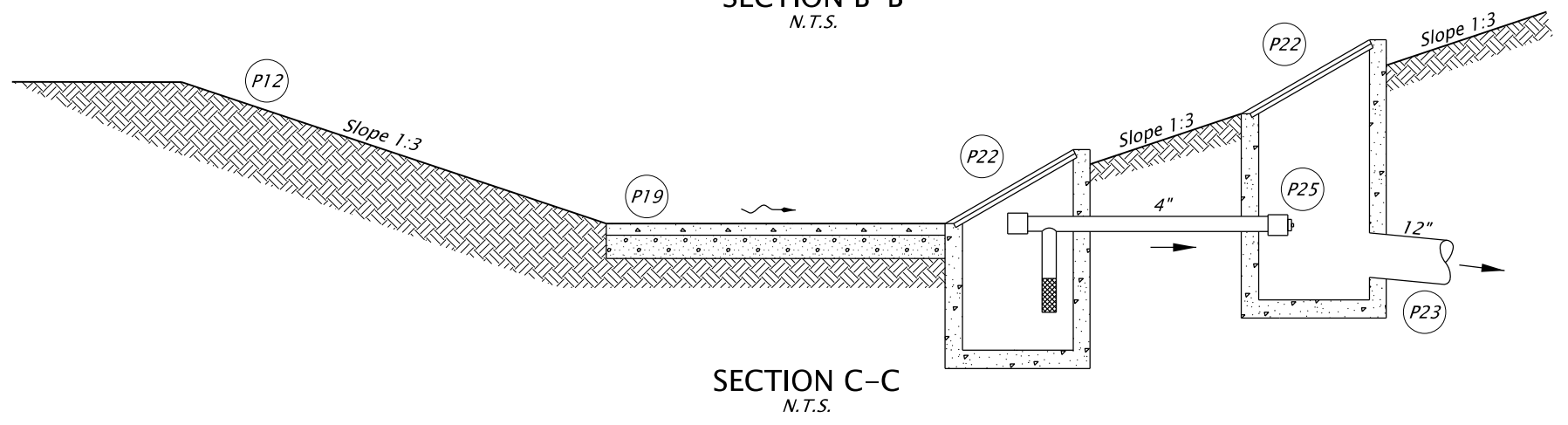
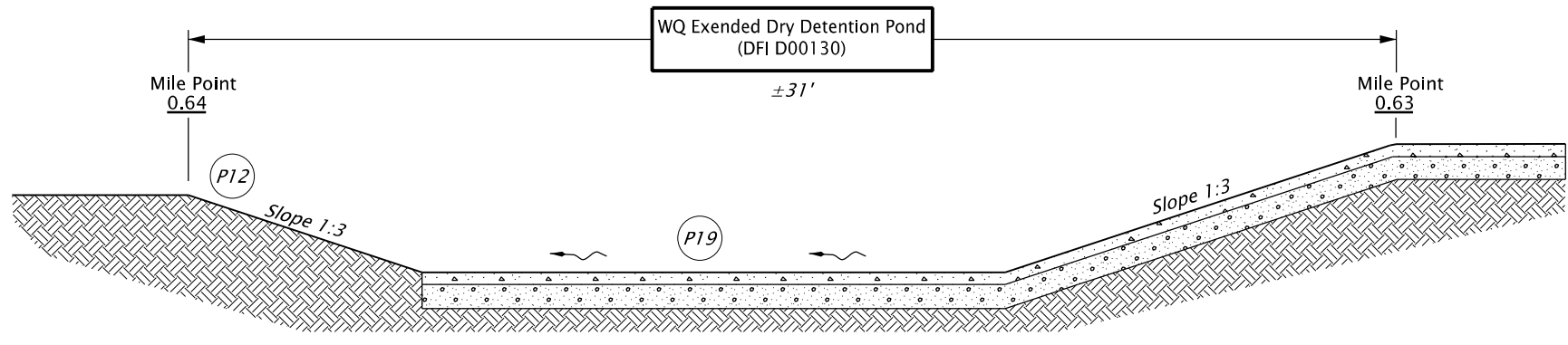


- LEGEND:**
- P# Facility Component (see table 1 in O&M Manual)
  - and ⊙ Manhole
  - and  Inlet
  - Storm Pipe (Facility)
  - Storm Pipe
  - Conveyance Direction
  - Pavement / Facility Flow Path
  - Traffic Flow Direction



Prepared By: Scott Sooter

Drafted By: Ian Kintz-Stormo

**DFI D00130**  
**MAINTENANCE DISTRICT 5 HWY 227**  
**WQ EXTENDED DRY DETENTION POND**  
HIGHWAY MP 0.63-0.64  
LANE COUNTY