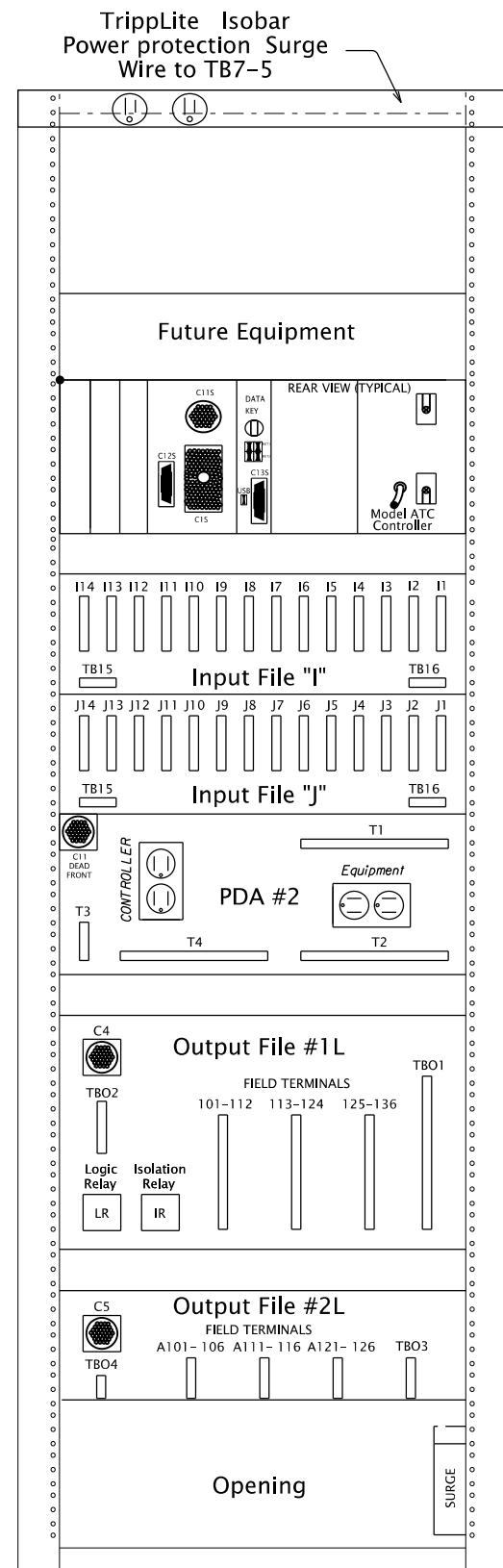
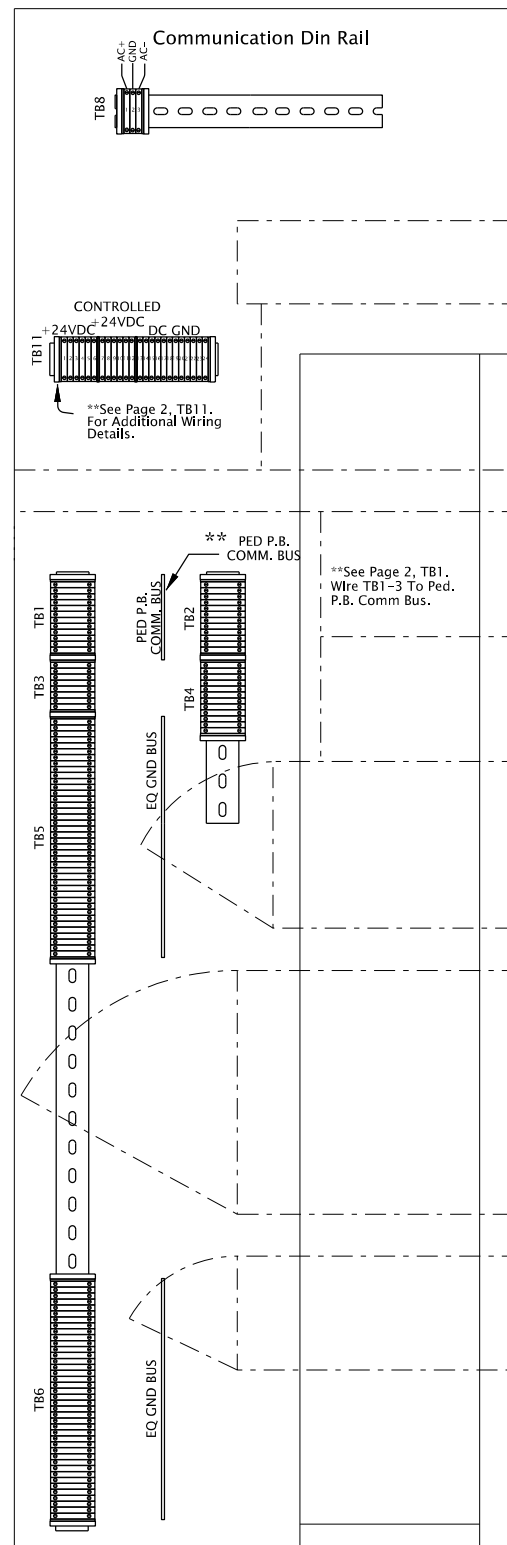


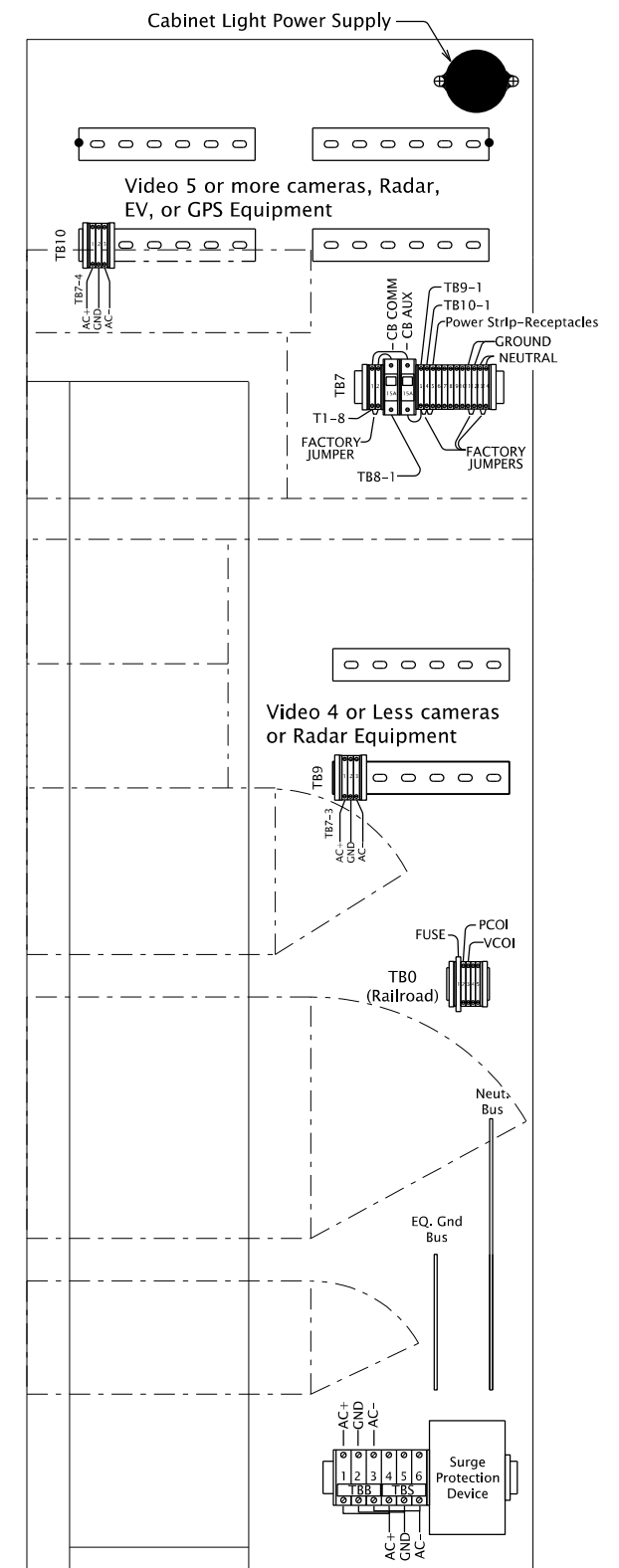
FRONT VIEW



REAR VIEW

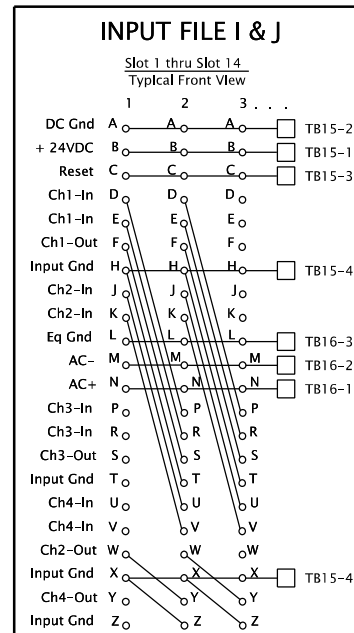


SIDE VIEW (REAR LEFT)



SIDE VIEW (REAR RIGHT)

PAGE 1 of 6	332S ODOT STRETCH CABINET HOUSING	REV. NO.	DATE	INITIAL	REMARKS	INTERSECTION: ● Main Street @ Cross Street	Any Town	OREGON DEPARTMENT OF TRANSPORTATION TRAFFIC - ROADWAY SECTION
		1	10/12/21	JS	Updated Diode Card, Various Text			
						HWY#: XXX M.P.#: XXX.XX TSSU ID#: XXXXX		332S ODOT CABINET PRINT



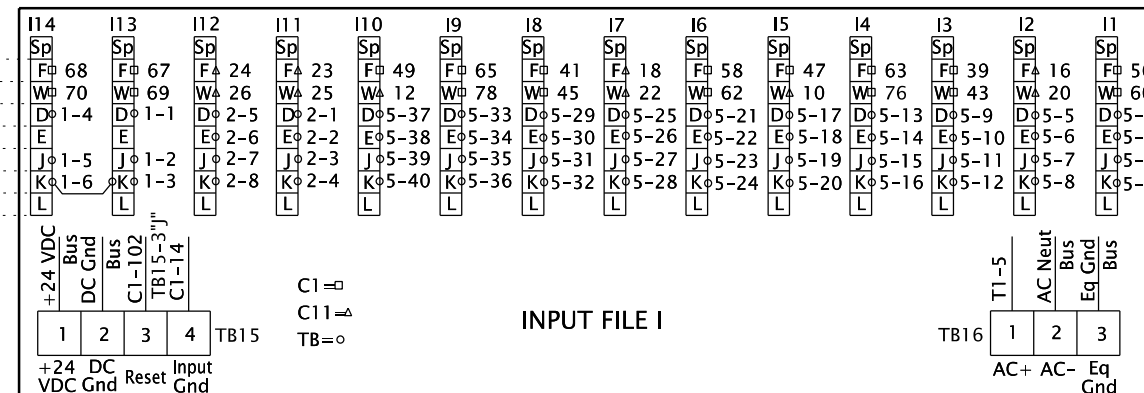
INPUT FILE - WIRING
TYPICAL WIRING DETAILS

	I1	I2	I3	I4	I5	I6	I7	I8	I9	I10	I11	I12	I13	I14
	0 1	0 1	0 2	0 2	0 2	0 3	0 3	0 4	0 4	0 4	SPARE	SPARE	2 PED	6 PED
	C1-56 MT1	C11-16 MT29	C1-39 MT2	C1-63 MT4	C1-47 MT6	C1-58 MT7	C11-18 MT32	C1-41 MT8	C1-65 MT10	C1-49 MT12	C11-23	C11-24	C1-67	C1-68
	C1-60 0 1	C11-20 0 1	C1-43 0 2	C1-76 0 2	C11-10 0 2	C1-62 0 3	C11-22 0 3	C1-45 0 4	C1-78 0 4	C11-12 0 4	C11-25	C11-26	C1-69	C1-70
	0 1	0 1	0 2	0 2	0 2	0 3	0 3	0 4	0 4	0 4	SPARE	SPARE	4 PED	8 PED
	J1	J2	J3	J4	J5	J6	J7	J8	J9	J10	J11	J12	J13	J14
	0 5	0 5	0 6	0 6	0 6	0 7	0 7	0 8	0 8	0 8	SPARE	PCOI	EVA	EVB
	C1-55 MT15 MT27	C11-15 MT35 MT36	C1-40 MT16 MT17	C1-64 MT18 MT19	C1-48 MT20 MT37	C1-57 MT21 MT28	C11-17 MT38 MT39	C1-42 MT22 MT23	C1-66 MT24 MT25	C1-50 MT26 MT40	C1-54	C1-51	C1-71	C1-72
	C1-59 0 5	C11-19 0 5	C1-44 0 6	C1-77 0 6	C11-11 0 6	C1-61 0 7	C11-21 0 7	C1-46 0 8	C1-79 0 8	C11-13 0 8	C1-75	C1-52	C1-73	C1-74
	0 5	0 5	0 6	0 6	0 6	0 7	0 7	0 8	0 8	0 8	GPS	VCOI	EVC	EVD

INPUT FILE I & J (FRONT VIEW)
(NOT TO SCALE)

TYPICAL TERMINALS

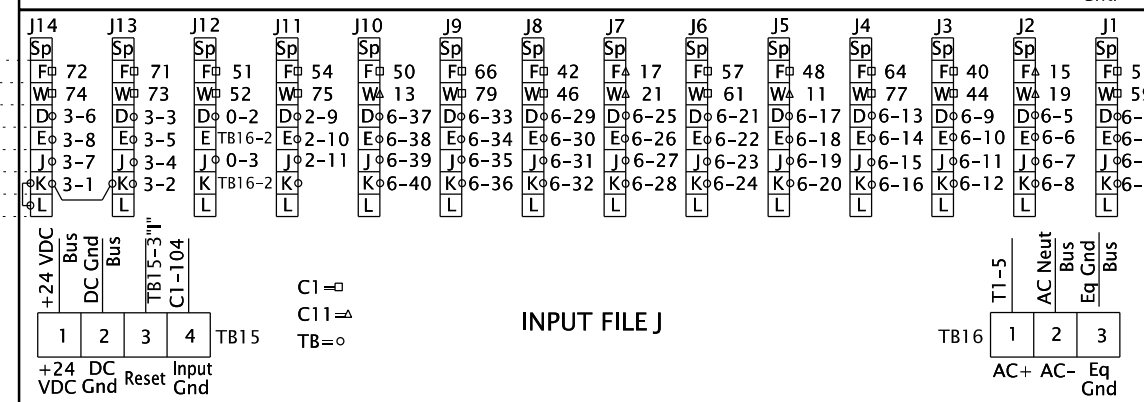
- Spare
- Ch1-Output
- Ch2-Output
- Ch1-Input
- Ch1-Input
- Ch2-Input
- Ch2-Input
- Equip Gnd



INPUT FILE I

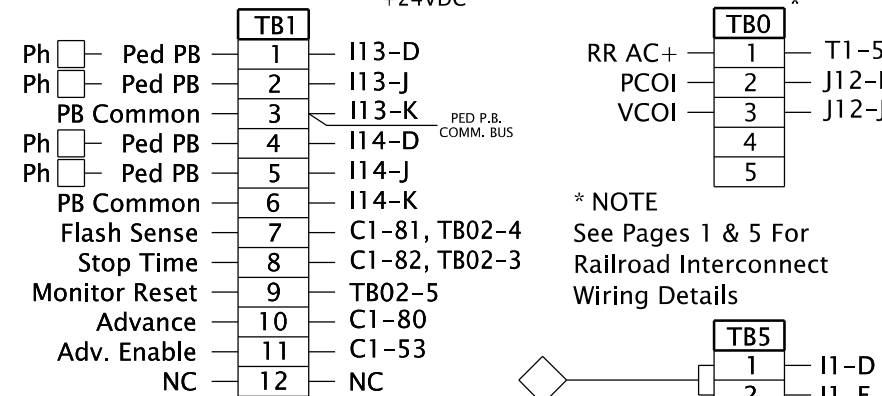
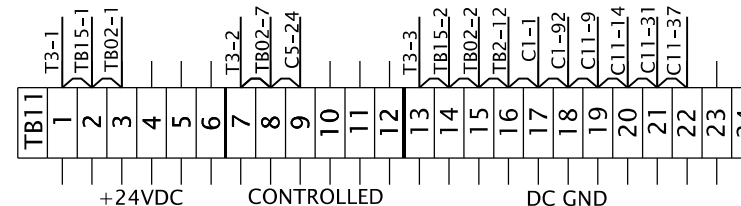
TYPICAL TERMINALS

- Spare
- Ch1-Output
- Ch2-Output
- Ch1-Input
- Ch1-Input
- Ch2-Input
- Ch2-Input
- Equip Gnd

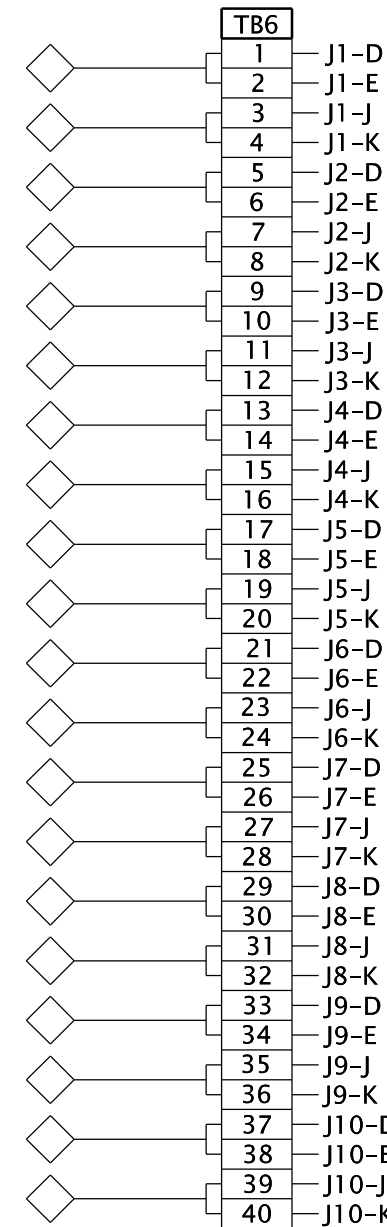
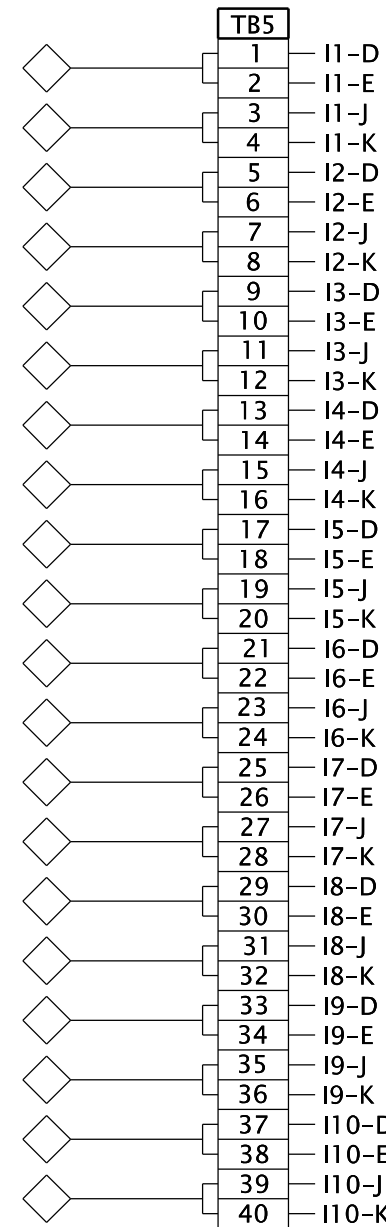
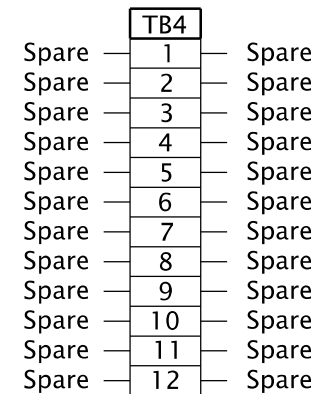
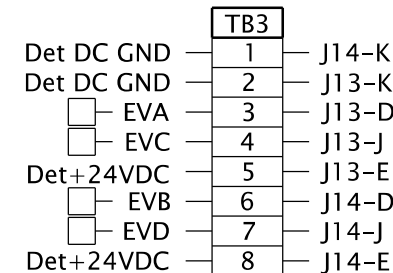
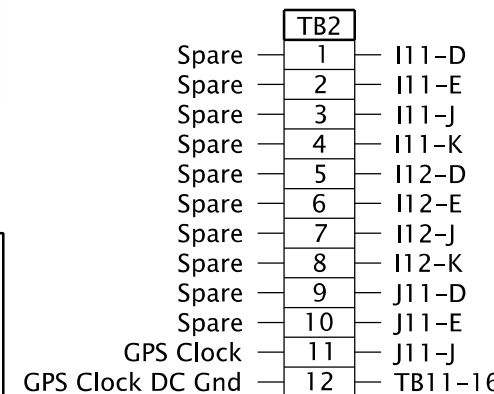


INPUT FILE J

INPUT FILE I & J (REAR VIEW)
(NOT TO SCALE)

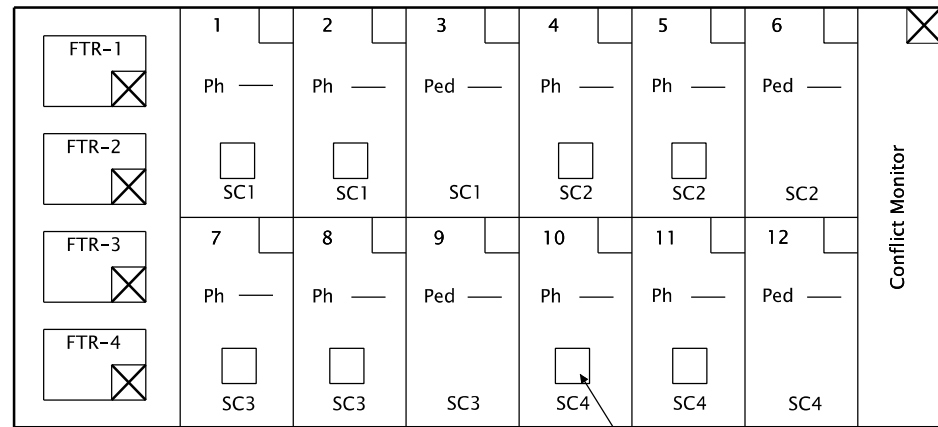


* NOTE
See Pages 1 & 5 For
Railroad Interconnect
Wiring Details



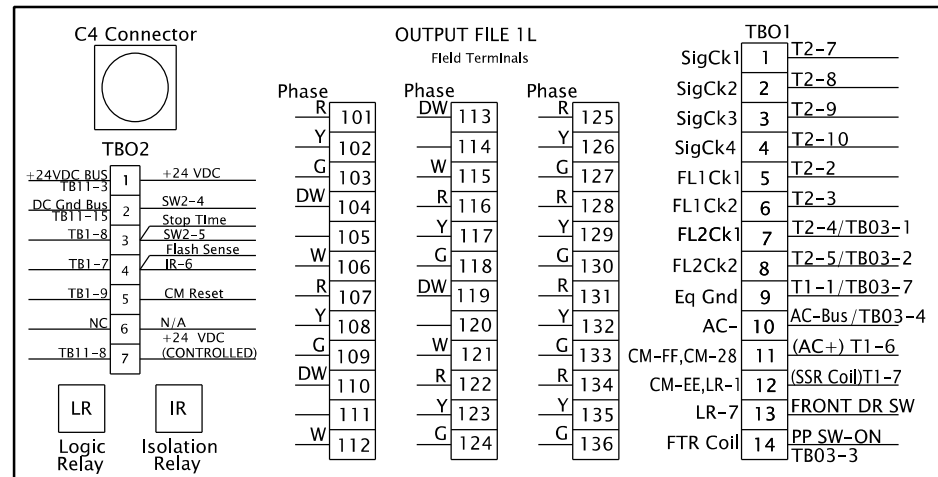
TERMINAL BLOCK DEFINITIONS

- TB0 - Railroad
- TB1 - PEDS & Controller
- TB2 - Spares - GPS Clock
- TB3 - EV Preemption
- TB4 - AUX EV Preemption
- TB5 - I File Loop Feeders
- TB6 - J File Loop Feeders
- TB7 - COMM. and AUX. Breakers
- TB8 - COMM. Equipment
- TB9 - Video or Radar Din Rail
- TB10 - Video or Radar Din Rail
- TB11 - 24VDC Bus Bar

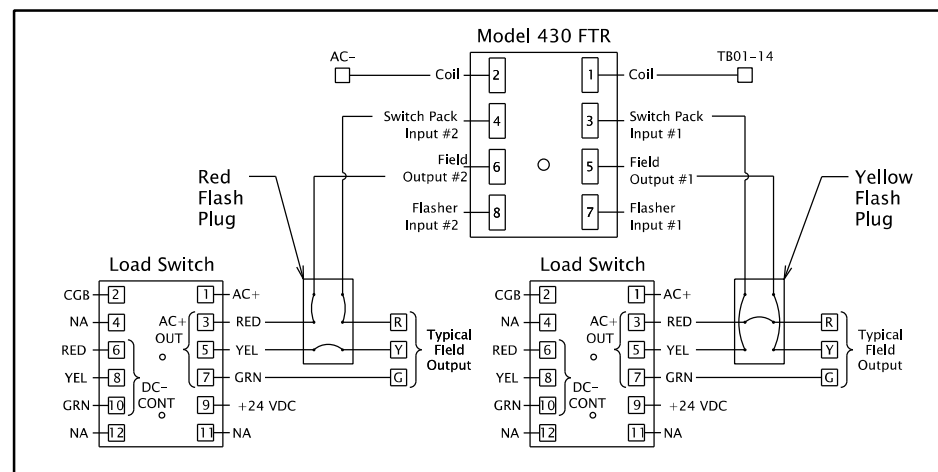


OUTPUT FILE 1L (FRONT VIEW)
(NOT TO SCALE)

INDICATE COLOR OF FLASH PLUG BEING USED BY ADDING R=RED, Y=YELLOW, OR W=WHITE IN BOX ON LOAD SWITCH. DEFAULT IS R=RED.



OUTPUT FILE 1L (REAR VIEW)
(NOT TO SCALE)



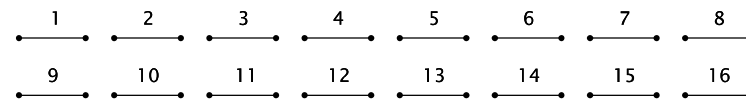
FIELD OUTPUTS - TYPICAL WIRING

CONFLICT MONITOR DIODE CARD

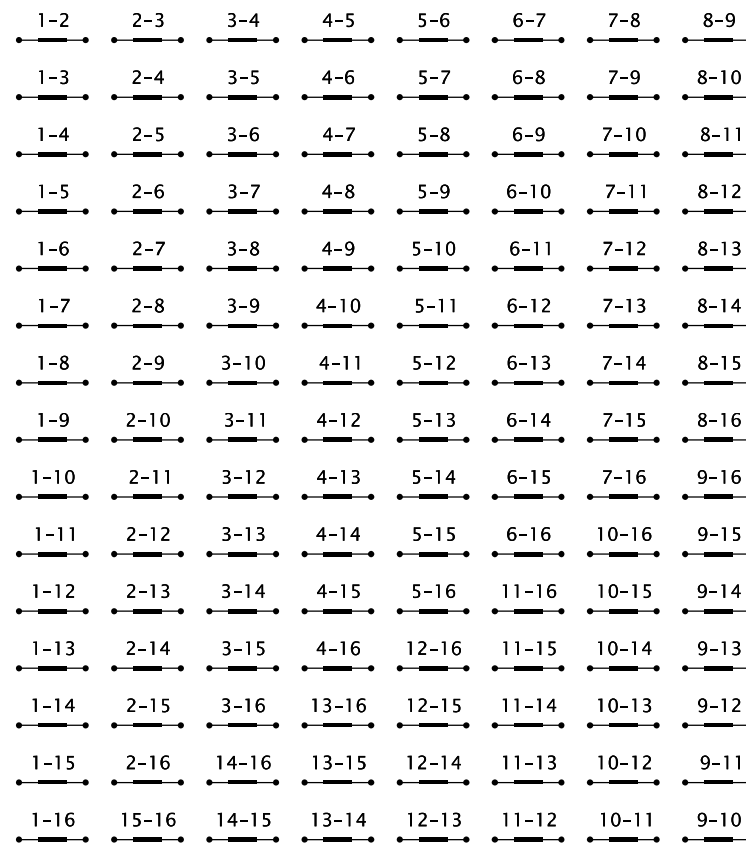
CHANNEL ASSIGNMENT

Ch.1	Ph 1	Ch.5	Ph 5	Ch.9	Ph 1 FYA/YA	Ch.13	Ped 2
Ch.2	Ph 2	Ch.6	Ph 6	Ch.10	Ph 3 FYA/YA	Ch.14	Ped 4
Ch.3	Ph 3	Ch.7	Ph 7	Ch.11	Ph 5 FYA/YA	Ch.15	Ped 6
Ch.4	Ph 4	Ch.8	Ph 8	Ch.12	PH 7 FYA/YA	Ch.16	Ped 8

YELLOW INHIBIT JUMPERS



DIODES - Diode Removed Makes Movement Allowable (Diode IN4148)



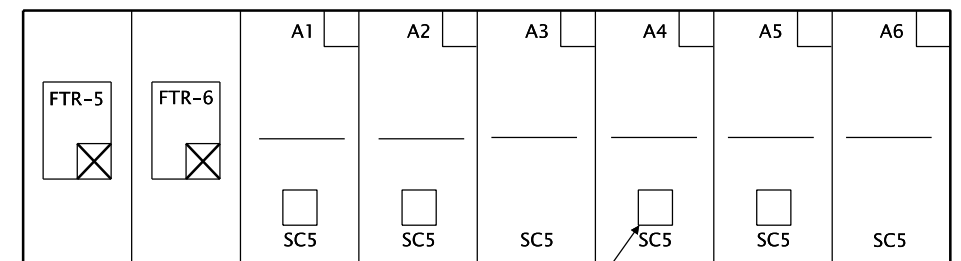
CONFLICT MONITOR DIODE CARD CUTOUT

(NOT TO SCALE)

CONFLICT MONITOR - TYPICAL CONNECTOR PIN ASSIGNMENTS

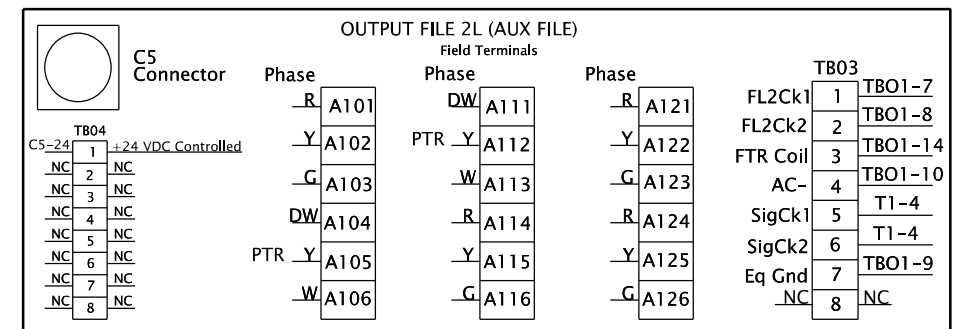
Term	Function	Pin	Ch	PH	Pin	Function	Term
130	SP2-G	1			A	SP2-Y	129
115	SP3-W	2			B	SP8-G	136
135	SP8-Y	3			C	SP9-W	121
103	SP5-G	4			D	SP5-Y	102
106	SP6-W	5			E	SP11-G	109
108	SP-11Y	6			F	SP12-W	112
133	SP7-G	7			H	SP7-Y	132
114	SP3-Y	8			J	SP1-G	127
126	SP1-Y	9			K	SP9-Y	120
124	SP10-G	10			L	SP10-Y	123
105	SP6-Y	11			M	SP4-G	118
117	SP4-Y	12			N	SP12-Y	111
A123	ASP1-G	13			P	NC	-
-	NC	14			R	ASP2-G	A126
-	T&B	15			S	ASP4-G	A116
-	T&B	16			T	NC	-
-	NC	17			U	T&B	-
-	T&B	18			V	ASP5-G	A103
-	NC	19			W	NC	-
TB01-9	EQ Gnd	20			X	NC	-
TB01-10	AC-	21			Y	DC Gnd	TB02-2
C4-37	Watch Dog	22			Z	Ext. Reset	TB02-5
TB02-1	+24VDC	23			AA	T&B	-
LRCoil	Interlock	24			BB	Stop Time	TB02-3
TB02-2	Interlock	25			CC	NC	-
-	NC	26			DD	NC	-
-	NC	27			EE	Clapper	TB01-12
TB01-11	Norm. Closed	28			FF	AC+	TB01-11

CONFLICT MONITOR
(NOT TO SCALE)



OUTPUT FILE 2L (AUX FILE)
FRONT VIEW - (NOT TO SCALE)

INDICATE COLOR OF FLASH PLUG BEING USED BY ADDING R=RED, Y=YELLOW, OR W=WHITE IN BOX ON LOAD SWITCH. DEFAULT IS R=RED.



OUTPUT FILE 2L (AUX FILE)

REAR VIEW - (NOT TO SCALE)

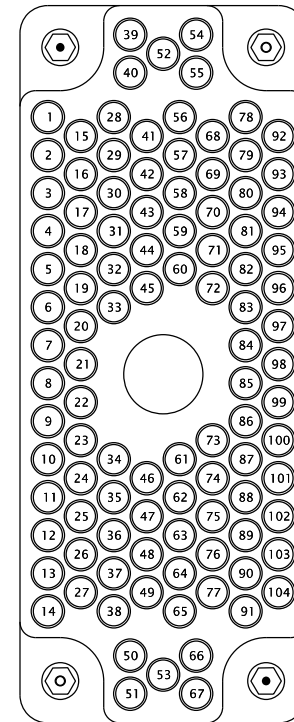
PAGE 3 of 6	OUTPUT FILES - FIELD WIRING DETAILS	REV. NO.	DATE	INITIAL	REMARKS	INTERSECTION: ● Main Street @ Cross Street Any Town	OREGON DEPARTMENT OF TRANSPORTATION TRAFFIC - ROADWAY SECTION 332S ODOT CABINET PRINT
		1	10/12/21	JS	Updated Diode Card, Various Text		
HWY#: XXX M.P.#: XXX.XX TSSU ID#: XXXXX						10/12/21	

Program Assigned Functions	C1 Connector		C4 Connector			Field Term.
	Pin	Termination	Pin	Switch Pack		
				In	Position	
DC Gnd	1	DC Gnd Bus	-	-	-	-
Ø 4 D.WALK	2	C4-1	1	6	6-DW	3 104
Ø 4 WALK	3	C4-2	2	10	6-W	7 106
Ø 4 RED	4	C4-3	3	6	5-R	3 101
Ø 4 YELLOW	5	C4-4	4	8	5-Y	5 102
Ø 4 GREEN	6	C4-5	5	10	5-G	7 103
Ø 3 RED	7	C4-6	6	6	4-R	3 116
Ø 3 YELLOW	8	C4-7	7	8	4-Y	5 117
Ø 3 GREEN	9	C4-8	8	10	4-G	7 118
Ø 2 D.WALK	10	C4-9	9	6	3-DW	3 113
Ø 2 WALK	11	C4-10	10	10	3-W	7 115
Ø 2 RED	12	C4-11	11	6	2-R	3 128
Ø 2 YELLOW	13	C4-12	12	8	2-Y	5 129
Input Gnd	14	TB15-4"l"	-	-	-	-
Ø 2 GREEN	15	C4-13	13	10	2-G	7 130
Ø 1 RED	16	C4-14	14	6	1-R	3 125
Ø 1 YELLOW	17	C4-15	15	8	1-Y	5 126
Ø 1 GREEN	18	C4-16	16	10	1-G	7 127
Ø 8 D.WALK	19	C4-17	17	6	12-DW	3 110
Ø 8 WALK	20	C4-18	18	10	12-W	7 112
Ø 8 RED	21	C4-19	19	6	11-R	3 107
Ø 8 YELLOW	22	C4-20	20	8	11-Y	5 108
Ø 8 GREEN	23	C4-21	21	10	11-G	7 109
Ø 7 RED	24	C4-22	22	6	10-R	3 122
Ø 7 YELLOW	25	C4-23	23	8	10-Y	5 123
Ø 7 GREEN	26	C4-24	24	10	10-G	7 124
Ø 6 D.WALK	27	C4-25	25	6	9-DW	3 119
Ø 6 WALK	28	C4-26	26	10	9-W	7 121
Ø 6 RED	29	C4-27	27	6	8-R	3 134
Ø 6 YELLOW	30	C4-28	28	8	8-Y	5 135
Ø 6 GREEN	31	C4-29	29	10	8-G	7 136
Ø 5 RED	32	C4-30	30	6	7-R	3 131
Ø 5 YELLOW	33	C4-31	31	8	7-Y	5 132
Ø 5 GREEN	34	C4-32	32	10	7-G	7 133
Ø 1 FLTYA	35	C4-33	33	8	3-Y	5 114
Ø 5 FLTYA	36	C4-34	34	8	9-Y	5 120
Ø 3 FLTYA	37	C4-35	35	8	6-Y	5 105
Ø 7 FLTYA	38	C4-36	36	8	12-Y	5 111

Program Assigned Functions	C1 Connector		Input Files		
	Pin	Termination	Terminals		Field Terminals
			Out	In	
Ø 2 DET	39	I3-1	F	D&E	TB5-9&10
Ø 6 DET	40	J3-1	F	D&E	TB6-9&10
Ø 4 DET	41	I8-1	F	D&E	TB5-29&30
Ø 8 DET	42	J8-1	F	D&E	TB6-29&30
Ø 2 DET	43	I3-2	W	J&K	TB5-11&12
Ø 6 DET	44	J3-2	W	J&K	TB6-11&12
Ø 4 DET	45	I8-2	W	J&K	TB5-31&32
Ø 8 DET	46	J8-2	W	J&K	TB6-31&32
Ø 2 DET	47	I5-1	F	D&E	TB5-17&18
Ø 6 DET	48	J5-1	F	D&E	TB6-17&18
Ø 4 DET	49	I10-1	F	D&E	TB5-37&38
Ø 8 DET	50	J10-1	F	D&E	TB6-37&38
PCOI	51	J12-1	F	D	TB0-2
VCOI	52	J12-2	W	J	TB0-3
ADV ENABLE	53	-	-	-	TB1-11
SPARE	54	J11-1	F	D&E	TB2-9&10
Ø 5 DET	55	J1-1	F	D&E	TB6-1&2
Ø 1 DET	56	I1-1	F	D&E	TB5-1&2
Ø 7 DET	57	J6-1	F	D&E	TB6-21&22
Ø 3 DET	58	I6-1	F	D&E	TB5-21&22
Ø 5 DET	59	J1-2	W	J&K	TB6-3&4
Ø 1 DET	60	I1-2	W	J&K	TB5-3&4
Ø 7 DET	61	J6-2	W	J&K	TB6-23&24
Ø 3 DET	62	I6-2	W	J&K	TB5-23&24
Ø 2 DET	63	I4-1	F	D&E	TB5-13&14
Ø 6 DET	64	J4-1	F	D&E	TB6-13&14
Ø 4 DET	65	I9-1	F	D&E	TB5-33&34
Ø 8 DET	66	J9-1	F	D&E	TB6-33&34
Ph2 Ped	67	I13-1	F	D	TB1-1
Ph6 Ped	68	I14-1	F	D	TB1-4
Ph4 Ped	69	I13-2	W	J	TB1-2
Ph8 Ped	70	I14-2	W	J	TB1-5
EVA	71	J13-1	F	D	TB3-3
EVB	72	J14-1	F	D	TB3-6
EVC	73	J13-2	W	J	TB3-4
EVD	74	J14-2	W	J	TB3-7
GPS CLOCK	75	J11-2	W	J&K	TB2-11&12
Ø 2 DET	76	I4-2	W	J&K	TB5-15&16
Ø 6 DET	77	J4-2	W	J&K	TB6-15&16
Ø 4 DET	78	I9-2	W	J&K	TB5-35&36
Ø 8 DET	79	J9-2	W	J&K	TB6-35&36
Advance	80	-	-	-	TB1-10
Flash Sense	81	-	-	-	TB1-7
Stop Time	82	-	-	-	TB1-8

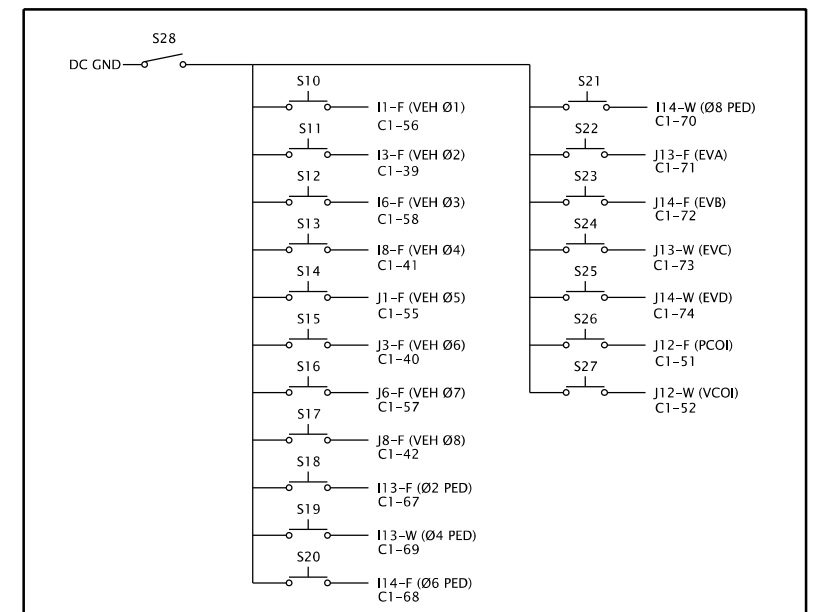
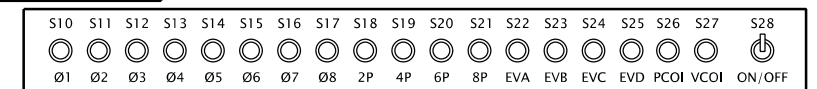
Program Assigned Functions	C1 Connector		C5 Connector			Field Term.
	Pin	Termination	Pin	Switch Pack		
				In	Position	
Ø 3 D.WALK	83	C5-1	1	6	A6-DW	3 A104
Ø 3 WALK	84	C5-2	2	10	A6-W	7 A106
OLD RED	85	C5-3	3	6	A5-R	3 A101
OLD YELLOW	86	C5-4	4	8	A5-Y	5 A102
OLD GREEN	87	C5-5	5	10	A5-G	7 A103
OLC RED	88	C5-6	6	6	A4-R	3 A114
OLC YELLOW	89	C5-7	7	8	A4-Y	5 A115
OLC GREEN	90	C5-8	8	10	A4-G	7 A116
Ø 1 D.WALK	91	C5-9	9	6	A3-DW	3 A111
DC Gnd	92	DC Gnd Bus	-	-	-	-
Ø 1 WALK	93	C5-10	10	10	A3-W	7 A113
OLB RED	94	C5-11	11	6	A2-R	3 A124
OLB YELLOW	95	C5-12	12	8	A2-Y	5 A125
OLB GREEN	96	C5-13	13	10	A2-G	7 A126
OLA RED	97	C5-14	14	6	A1-R	3 A121
OLA YELLOW	98	C5-15	15	8	A1-Y	5 A122
OLA GREEN	99	C5-16	16	10	A1-G	7 A123
PTR SIGN	100	C5-17	17	8	A6-Y	5 A105
PTR SIGN	101	C5-18	18	8	A3-Y	5 A112
FLASH OUT	102	TB15-3"l"	Monitor-Pin 22			
Watchdog	103	C4-37				
Input Gnd	104	TB15-4"j"				
			19...23	-	NC	-
			24	TB11-7	All	9 +24VDC CONTROL

Program Assigned Functions	C11 Connector		Input Files		
	Pin	Termination	Terminals		Field Terminals
			Out	In	
NOT ASSIGN	1...8	T&B	-	-	-
DC Gnd	9	DC Gnd Bus	-	-	-
Ø 2 DET	10	I5-2	W	J&K	TB5-19&20
Ø 6 DET	11	J5-2	W	J&K	TB6-19&20
Ø 4 DET	12	I10-2	W	J&K	TB5-39&40
Ø 8 DET	13	J10-2	W	J&K	TB6-39&40
DC Gnd	14	DC Gnd Bus	-	-	-
Ø 5 DET	15	J2-1	F	D&E	TB6-5&6
Ø 1 DET	16	I2-1	F	D&E	TB5-5&6
Ø 7 DET	17	J7-1	F	D&E	TB6-25&26
Ø 3 DET	18	I7-1	F	D&E	TB5-25&26
Ø 5 DET	19	J2-2	W	J&K	TB6-7&8
Ø 1 DET	20	I2-2	W	J&K	TB5-7&8
Ø 7 DET	21	J7-2	W	J&K	TB6-27&28
Ø 3 DET	22	I7-2	W	J&K	TB5-27&28
SPARE	23	I11-1	F	D&E	TB2-1&2
SPARE	24	I12-1	F	D&E	TB2-5&6
SPARE	25	I11-2	W	J&K	TB2-3&4
SPARE	26	I12-2	W	J&K	TB2-7&8
NOT ASSIGN	27...30	T&B	-	-	-
DC Gnd	31	DC Gnd Bus	-	-	-
NOT ASSIGN	32...36	T&B	-	-	-
DC Gnd	37	DC Gnd Bus	-	-	-

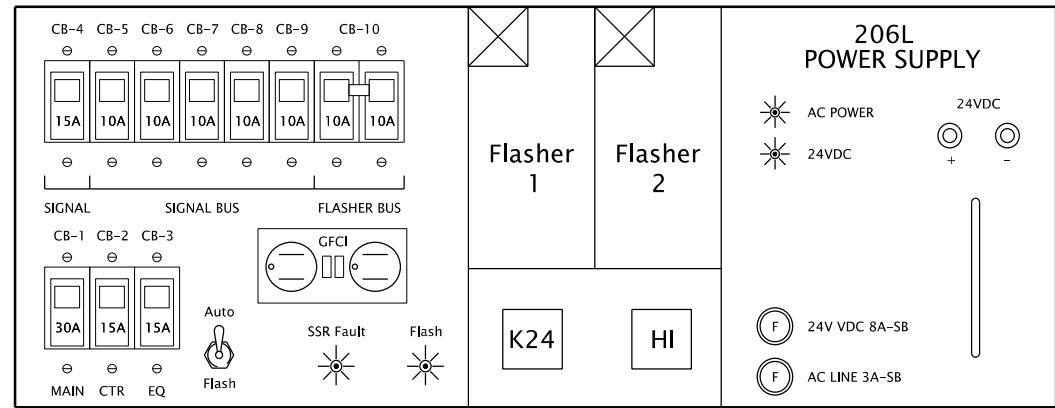


C11 PLUG PINOUT

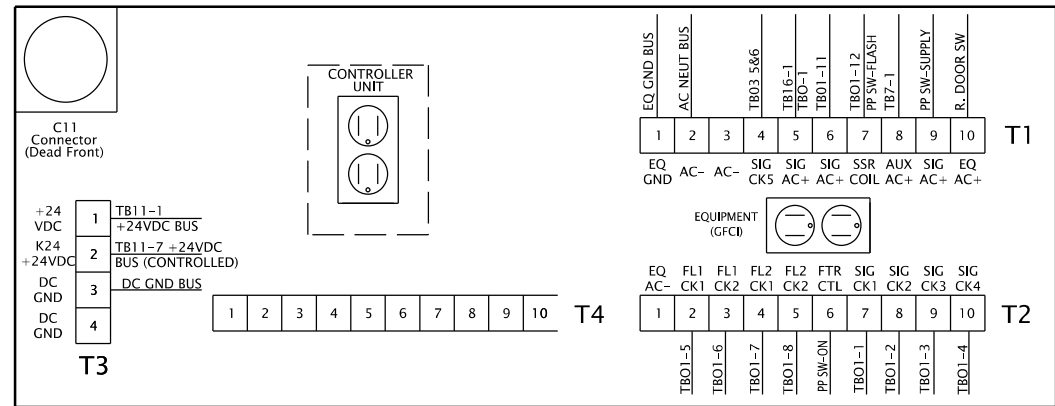
C1 PLUG PINOUT



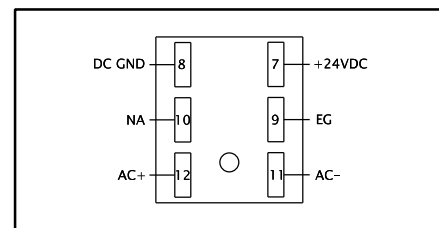
Detector Test Panel Wiring
Typical Wiring Diagram



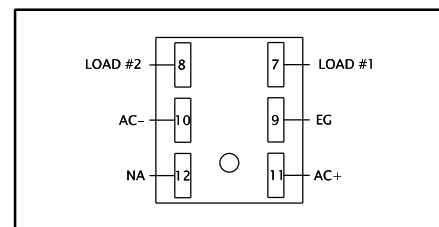
ODOT PDA 2 LAYOUT (FRONT VIEW)
(NOT TO SCALE)



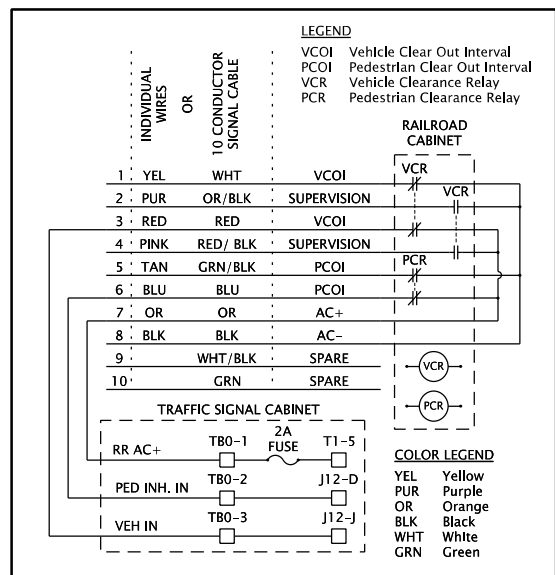
ODOT PDA 2 LAYOUT (REAR VIEW)
(NOT TO SCALE)



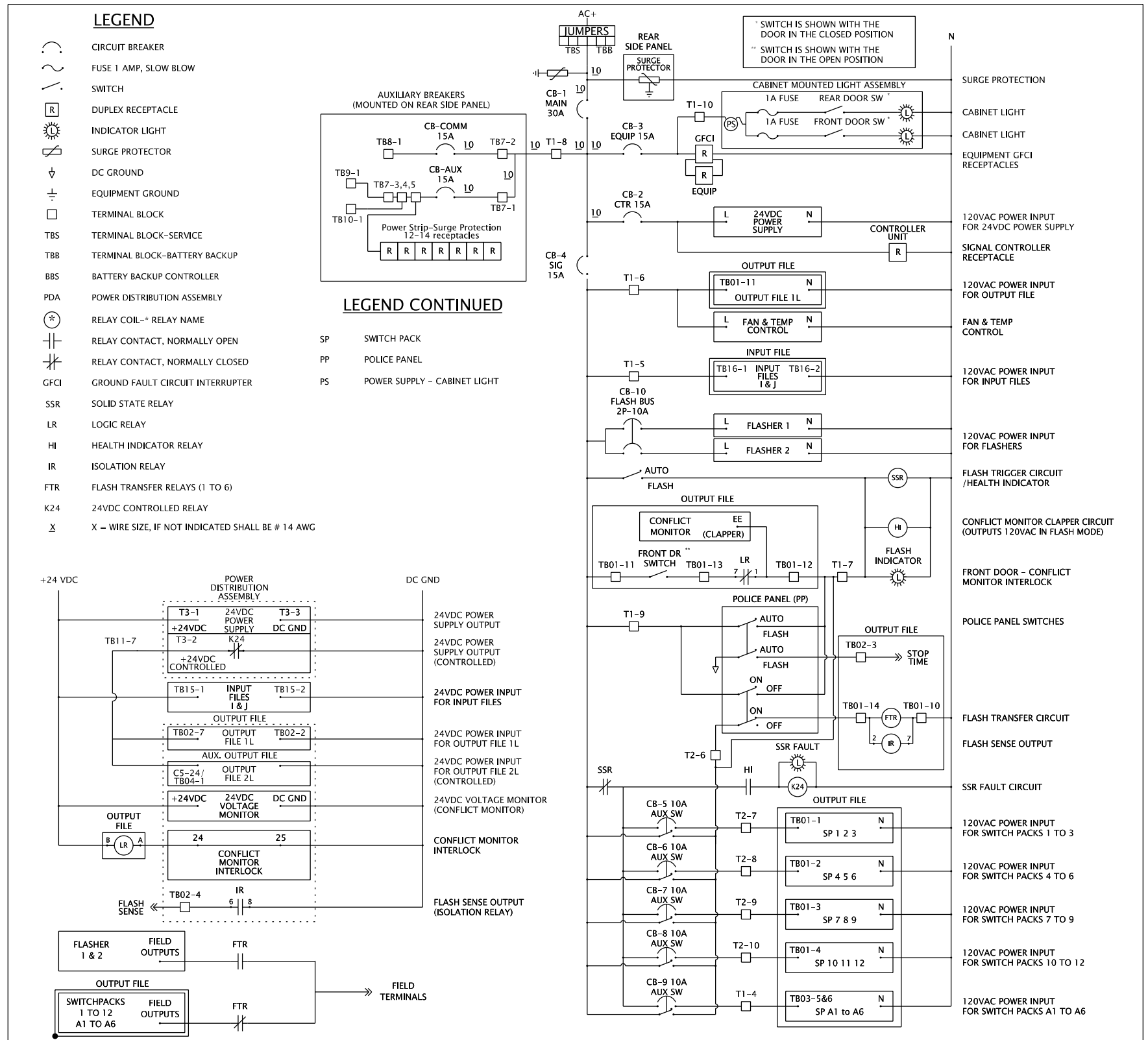
MODEL 206L POWER SUPPLY
TYPICAL CONNECTOR DETAIL



MODEL 204 FLASHER
TYPICAL CONNECTOR DETAIL



RAILROAD INTERCONNECT
TYPICAL WIRING DETAILS



PDA #2 ELEMENTARY DIAGRAM
TYPICAL WIRING DETAILS

PAGE 5 of 6	PDA 2: Layout & Elementary Diagram	REV. NO.	DATE	INITIAL	REMARKS	INTERSECTION: ● Main Street @ Cross Street Any Town	OREGON DEPARTMENT OF TRANSPORTATION TRAFFIC - ROADWAY SECTION
		1	10/12/21	JS	Updated Diode Card, Various Text		
						HWY#: XXX M.P.#: XXX.XX TSSU ID#: XXXXX	332S ODOT CABINET PRINT

Place Intersection Diagram, phase and Fire rotations,
 and any other applicable information on this sheet.
 Add 1 additional sheet to
 show an enlarged TB8, TB9,
 or TB10, if being used.

PAGE 6 of 6	Additional Intersection Information	REV. NO.	DATE	INITIAL	REMARKS	INTERSECTION: ● Main Street @ Cross Street Any Town	OREGON DEPARTMENT OF TRANSPORTATION TRAFFIC - ROADWAY SECTION 332S ODOT CABINET PRINT 10/12/21
		1	10/12/21	JS	Updated Diode Card, Various Text		