



# Oregon

John A. Kitzhaber, MD, Governor

Department of Environmental Quality

Western Region Eugene Office

165 East 7th Avenue, Suite 100

Eugene, OR 97401

(541) 686-7838

FAX (541) 686-7551

TTY 711

March 22, 2013

Mike Cantanzaro  
Pentair Water, dba Delta Environmental®  
8263 Florida BLVD.  
Denham Springs, LA 70726

RE: Ecopod E-50-N-IM1060, E-60-N-IM 1060, and E-75-N-1060  
Alternative Treatment Technology

Dear Mr. Catanzaro:

The Oregon Department of Environmental Quality (DEQ) has received your Alternative Treatment Technology (ATT) applications, and the plans, specifications, and other required application exhibits. Your company has certified the following ATT systems comply with all applicable DEQ rules and regulations. The Department has reviewed the materials submitted with your application(s) for compatibility with the standards and criteria found in Oregon Administrative Rule (OAR) 340-071-0345. I am pleased to advise you that the following ATT systems have been found to meet approval criteria for Treatment Standard 1 when used as part of an onsite wastewater treatment system in Oregon:

- Ecopod E-50-N-IM 1060, 500 gallons per day (GPD) in configuration 1,2,3
- Ecopod E-60-N-IM1060, 600 gpd in configuration 1,2,3
- Ecopod E-75-N-IM1060, 750 gpd in configuration 2, 3.

Your company is authorized to manufacture, market, and distribute the ATT systems listed above, for use in Oregon, provided the following conditions are met:

1. The ATT systems must be manufactured in compliance with the Department's rules, and the plans and design specifications provided. Any deviation from the approved plans and specifications are not permitted unless authorized by NSF® International and in writing by DEQ. Product modification approvals must be copied to DEQ.
2. The approved plans are labeled Delta Environmental Ecopod, Drawing number DEP248A, Rev A and stamped "Approved" by DEQ on March 13, 2013.
3. The ATT systems must be preceded by a septic tank or dosing septic tank approved for use in Oregon. Systems preceded by a septic tank must have either an effluent pump station or Oregon approved dosing tank following the ATT.

4. All commercial systems with a design flow greater than 600 gallons per day must be constructed with duplex pumps (two or more alternating pumps) unless otherwise authorized in writing by the department. Controls must be provided such that an alarm will signal when one of the pumps malfunctions.
5. In the event of air blower failure, the control panel must lockout influent or effluent pump operation to prevent untreated or partially treated effluent from discharging to the absorption area. An audible and visual alarm must activate in the event of either a pump or air blower failure.
6. The air blower must be installed near the control panel and no more than 100 feet from the ATT.
7. Delta Environmental must provide training for, and maintain a list of, certified installers and maintenance providers authorized to work on these ATT systems and provide certificates to those individuals. Individuals (homeowners) installing your system, and regulators in the County of installation, must be trained prior to installation of your products in Oregon. Please provide the DEQ with a plan for training installers, maintenance providers, and regulators within ninety (90) days of the date of this letter.
8. Delta Environmental products specifically applied for this ATT to be housed in an IM-1060 septic tank, manufactured by Infiltrator Systems, Inc. All Ecopod systems must be installed in accordance with your installation manual requirements and the installation requirements of the tank manufacturer.
9. Systems less than 10 years old may not exceed a failure rate of ten (10) percent.
10. The ATT system must maintain NSF® International Standard 40 certification.
11. As the manufacturer of these products, it is your responsibility to assure that each assembled ATT system delivered to the construction site is water-tight. Assurance must be achieved by periodic testing of the ATT components for water-tightness at the manufacturing facility.
12. A service contract, and inspection and service visits must meet or exceed the requirements of OAR 340-071-0345(14). The current rules states that a two-year service contract, including a minimum of four (4) service visits scheduled every six months, to inspect, adjust and service the ATT is required until the system is decommissioned. The initial service contract must be included in the purchase price of the ATT.
13. Each ATT system must be delivered with an installation guide and owner's manual.
14. Each ATT system is only acceptable at locations where the top loading will not exceed the engineering design parameters. ATT systems proposed for use at other locations will require an engineering analysis of the potential top loading, and may require preparation of site-specific plans and specifications.

This determination should not be construed in any way as the Department's endorsement of this product or any advertising. Moreover, the Department is not responsible for any situation which may result from use or misapplication of your product.

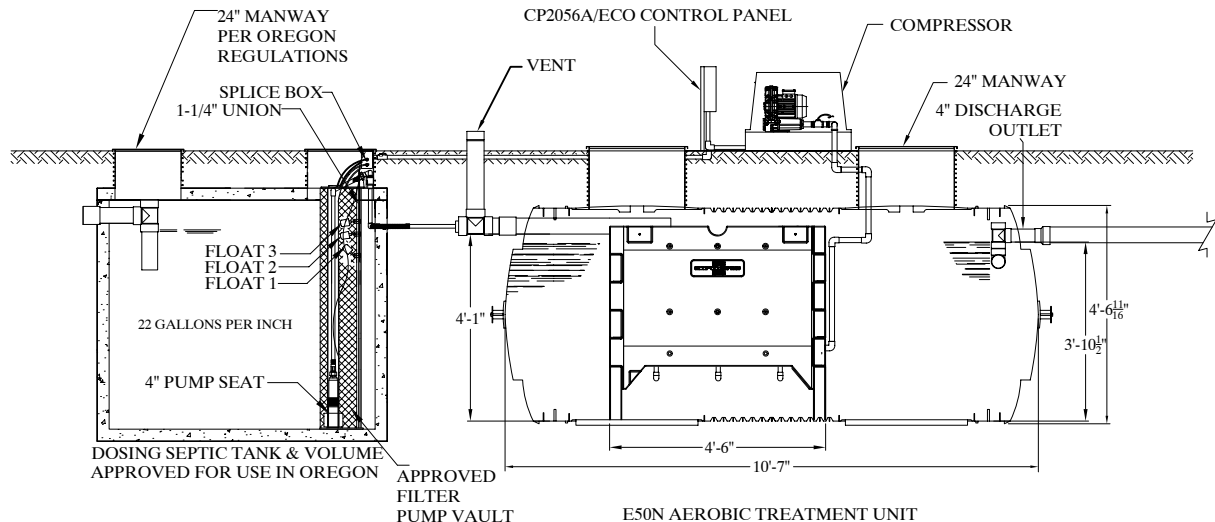
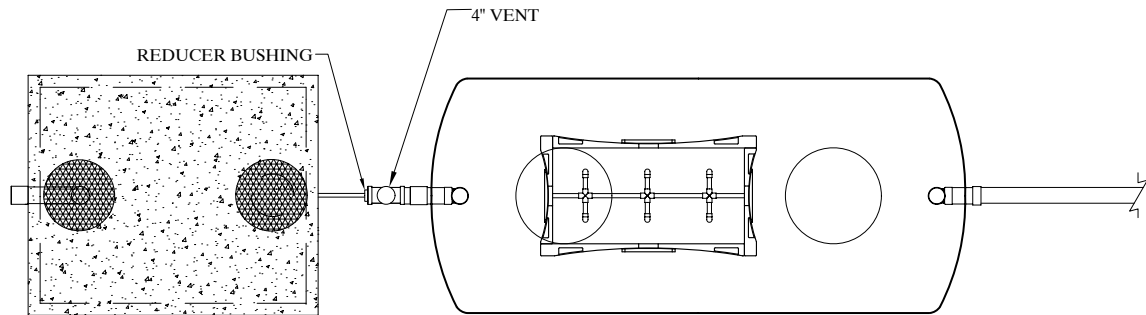
If you have any questions regarding this letter, please contact Dan Wiltse at (541) 687-7436 or by email at [wiltse.daniel@deq.state.or.us](mailto:wiltse.daniel@deq.state.or.us)

Sincerely,



Michael E. Kucinski, Manager  
Water Quality/Onsite

ec: All Contract County Offices  
All DEQ Direct Service Offices



E50N AEROBIC TREATMENT UNIT  
500 GALLON TREATMENT CAPACITY

\*NOTE: 5' MINIMUM SEPARATION DISTANCE BETWEEN TANKS  
\*NOTE: THE VOLUME OF THE SEPTIC TANK WILL BE AS REQUIRED ON OAR 340-071-220 (3)  
\*NOTE: ALL EXTERIOR PIPE SIZE AS PER OREGON REQUIREMENTS

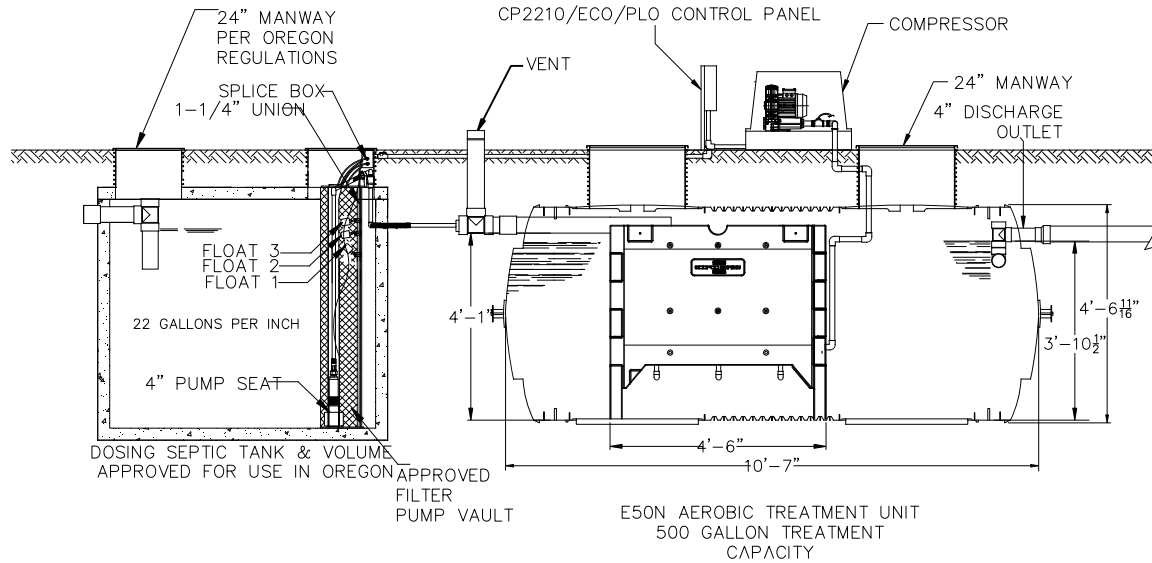
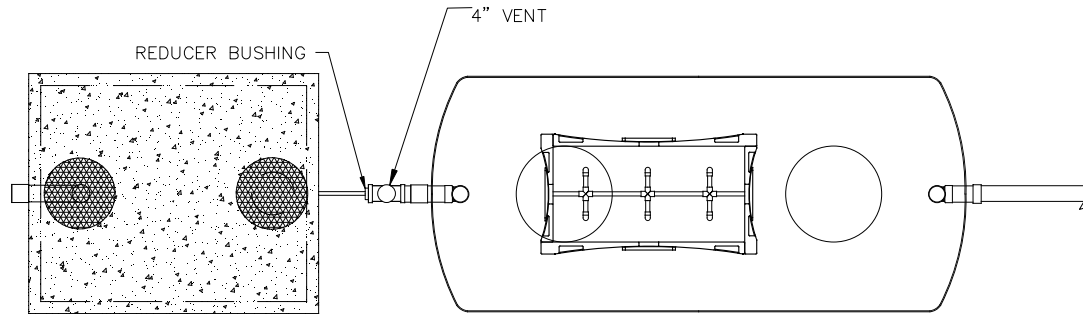
CONFIGURATION 2

23

					<b>DELTA ECOPOD 500 GPD UNIT W/ OREGON APPROVED DOSING SEPTIC TANK</b>				
REV.	DATE	REVISION DESCRIPTION	BY		PLOT SCALE	DRAWING NUMBER	DRAWN BY	DATE	SHEET OF
				NTS	DEP248A E50N	D. WRIGHT	08/27/12	1 OF 1	A

COMPANY CONFIDENTIAL: INFORMATION CONTAINED HEREIN IS CONFIDENTIAL, IT IS THE PROPERTY OF PENTAIR PUMP GROUP, IT IS TO BE USED SOLELY FOR THE PURPOSE PROVIDED, AND IT IS NOT TO BE DISCLOSED TO OTHERS WITHOUT THE PRIOR WRITTEN CONSENT OF PENTAIR PUMP GROUP.

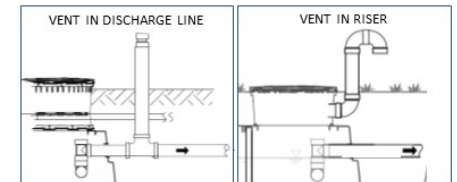
Added 11/8/2021 to show alternate vent options



**NOTES:**

- ELEVATION LEVEL BETWEEN TANKS PER OREGON STATE RULES.
- PIPE SIZE TO DRAIN FIELD PER OREGON STATE REGULATIONS.
- ALL TANKS MUST BE WATERTIGHT.
- ALL EXTERIOR PIPE SIZE AS PER OREGON REQUIREMENTS
- SEPTIC TANK VOLUME AS REQUIRED IN OR 340-071-220 (3).

**OPTIONAL VENT LOCATIONS:**

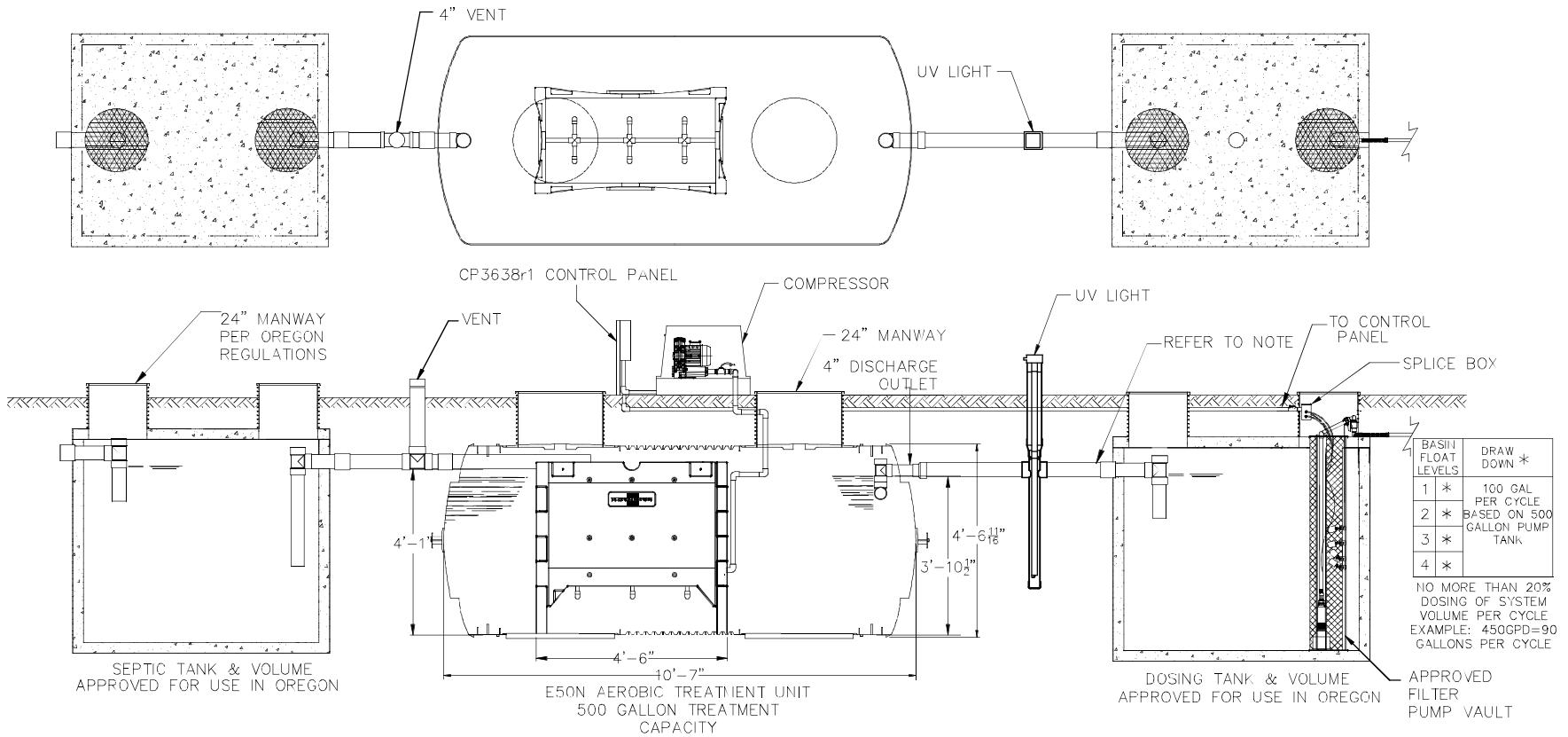


CONFIGURATION 2

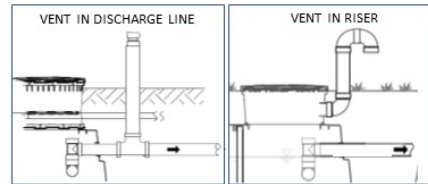
						<b>DELTA ECOPOD 500 GPD UNIT W/ OREGON APPROVED DOSING SEPTIC TANK</b>			
REV.	DATE	REVISION DESCRIPTION	BY	PLOT SCALE	DRAWING NUMBER	DRAWN BY	DATE	SHEET OF	REV
				NTS	DEP248A E50N	L.CUTRER	7/28/16	1 OF 1	B
<small>COMPANY CONFIDENTIAL: INFORMATION CONTAINED HEREIN IS CONFIDENTIAL. IT IS THE PROPERTY OF DELTA TREATMENT SYSTEMS, IT IS TO BE USED SOLELY FOR THE PURPOSE PROVIDED, AND IT IS NOT TO BE DISCLOSED TO OTHERS WITHOUT THE PRIOR WRITTEN CONSENT OF DELTA TREATMENT SYSTEMS.</small>									



Added 11/8/2021 to show alternate vent options



OPTIONAL VENT LOCATIONS:



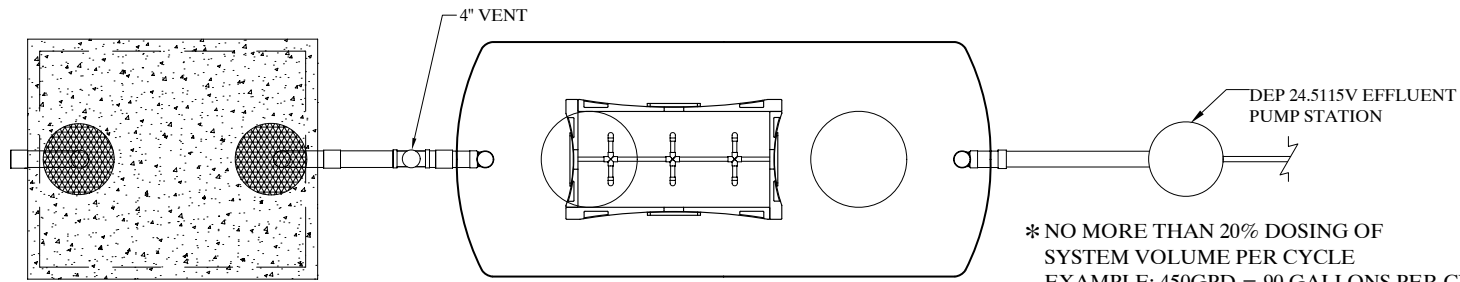
PUMP CHART			
PUMP	ELEVATION	MAX. DISTANCE	MIN. PIPE SIZE
1/2 HP	30'	500'	min 3"
1 HP	100'	1000'	min 3"

NOTES:

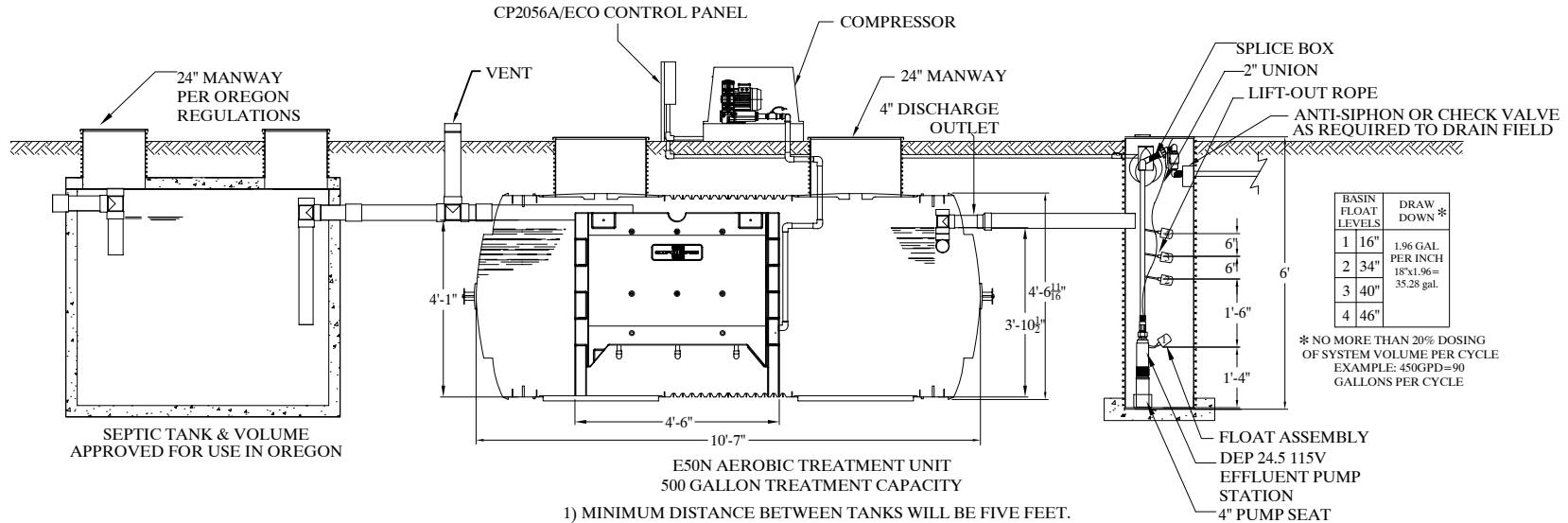
- ELEVATION LEVEL BETWEEN TANKS PER OREGON STATE RULES.
- PIPE SIZE TO DRAIN FIELD PER OREGON STATE REGULATIONS.
- ALL TANKS MUST BE WATERTIGHT.
- ALL EXTERIOR PIPE SIZE AS PER OREGON REQUIREMENTS
- SEPTIC TANK VOLUME AS REQUIRED IN OR 340-071-220 (3).

CONFIGURATION 3

					<b>DELTA ECOPOD 500 GPD UNIT W/ OREGON APPROVED SEPTIC TANK &amp; DOSING TANK</b>				
REV.	DATE	REVISION DESCRIPTION	BY	PLOT SCALE	DRAWING NUMBER	DRAWN BY	DATE	SHEET OF	REV
				NTS	DEP248A E50N	L.CUTRER	04/24/15	1 OF 1	A
<small>COMPANY CONFIDENTIAL: INFORMATION CONTAINED HEREIN IS CONFIDENTIAL. IT IS THE PROPERTY OF DELTA TREATMENT SYSTEMS, IT IS TO BE USED SOLELY FOR THE PURPOSE PROVIDED, AND IT IS NOT TO BE DISCLOSED TO OTHERS WITHOUT THE PRIOR WRITTEN CONSENT OF DELTA TREATMENT SYSTEMS.</small>									



\* NO MORE THAN 20% DOSING OF SYSTEM VOLUME PER CYCLE  
 EXAMPLE: 450GPD = 90 GALLONS PER CYCLE.



- 1) MINIMUM DISTANCE BETWEEN TANKS WILL BE FIVE FEET.
- 2) ELEVATION LEVEL BETWEEN TANKS PER OREGON STATE RULES.
- 3) PIPE SIZE TO DRAIN FIELD PER OREGON STATE REGULATIONS.
- 4) ALL TANKS MUST BE WATERTIGHT.

\*NOTE: ALL EXTERIOR PIPE SIZE AS PER OREGON REQUIREMENTS

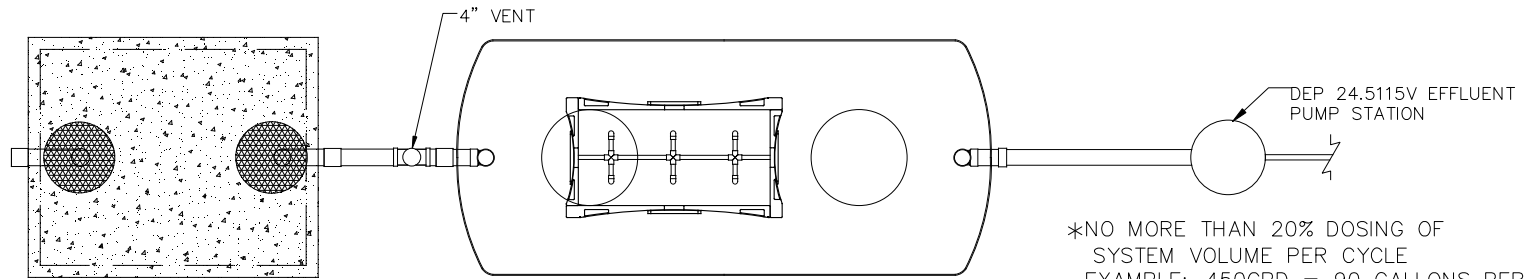
\*NOTE: THE VOLUME OF THE SEPTIC TANK WILL BE AS REQUIRED IN OAR 340-071-220(3)

CONFIGURATION 1

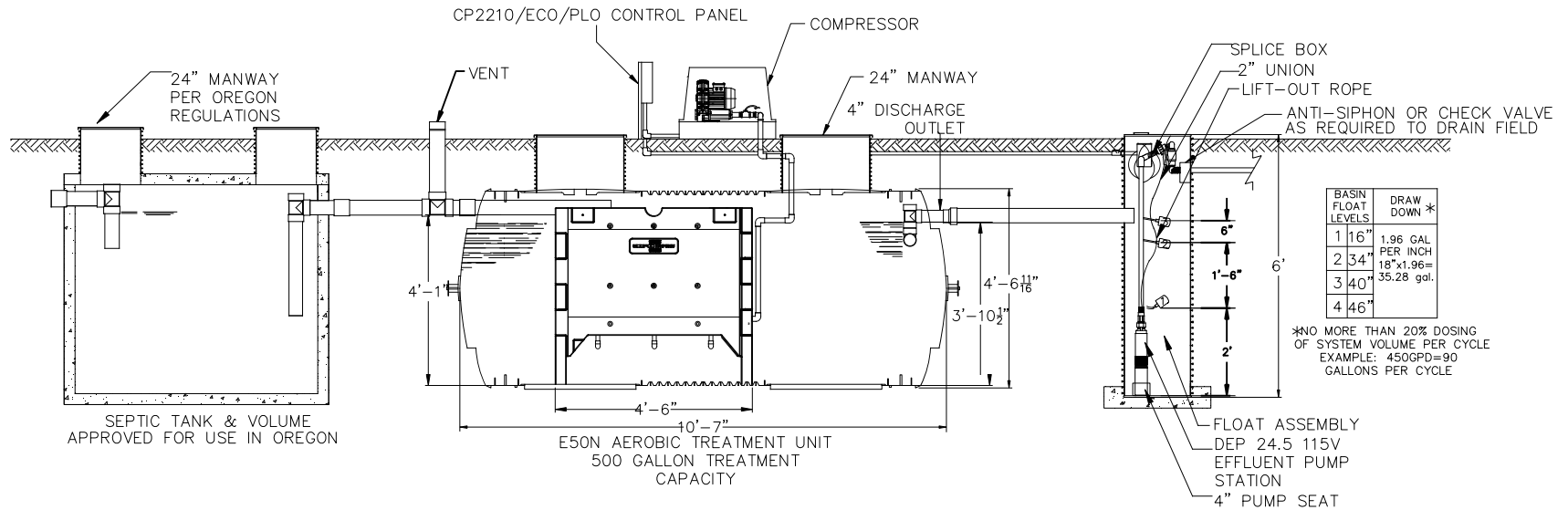
						<b>DELTA ECOPOD-N 500 GPD UNIT          W/ OREGON APPROVED SEPTIC TANK &amp;          DEP24.5115V HIGH HEAD PUMP STATION</b>			
REV.	DATE	REVISION DESCRIPTION	BY	PLOT SCALE	DRAWING NUMBER	DRAWN BY	DATE	SHEET OF	REV
				NTS	DEP248A E50N	D. WRIGHT	08/27/12	1 OF 1	A
<small>COMPANY CONFIDENTIAL: INFORMATION CONTAINED HEREIN IS CONFIDENTIAL, IT IS THE PROPERTY OF PENTAIR PUMP GROUP, IT IS TO BE USED SOLELY FOR THE PURPOSE PROVIDED, AND IT IS NOT TO BE DISCLOSED TO OTHERS WITHOUT THE PRIOR WRITTEN CONSENT OF PENTAIR PUMP GROUP.</small>									



Added 11/8/2021 to show alternate vent options



\*NO MORE THAN 20% DOSING OF SYSTEM VOLUME PER CYCLE  
EXAMPLE: 450GPD = 90 GALLONS PER CYCLE.



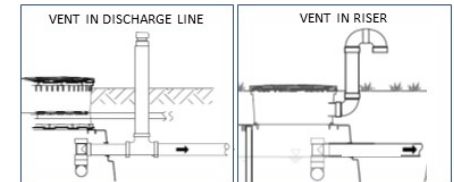
BASIN FLOAT LEVELS	DRAW DOWN *
1 16"	1.96 GAL PER INCH
2 34"	18"x1.96=
3 40"	35.28 gal.
4 46"	

\*NO MORE THAN 20% DOSING OF SYSTEM VOLUME PER CYCLE  
EXAMPLE: 450GPD=90 GALLONS PER CYCLE

**NOTES:**

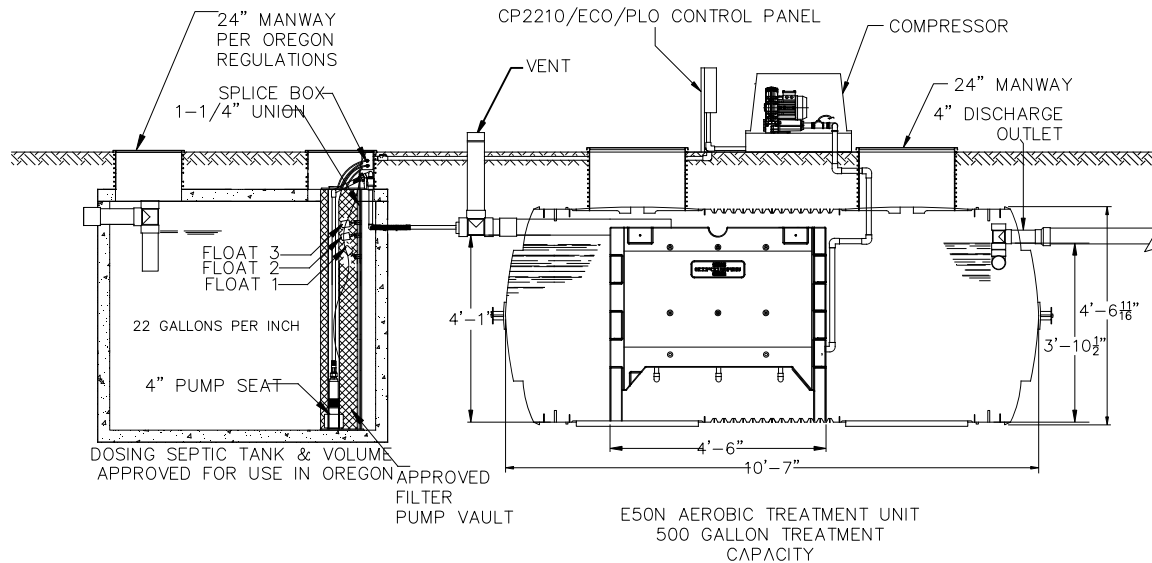
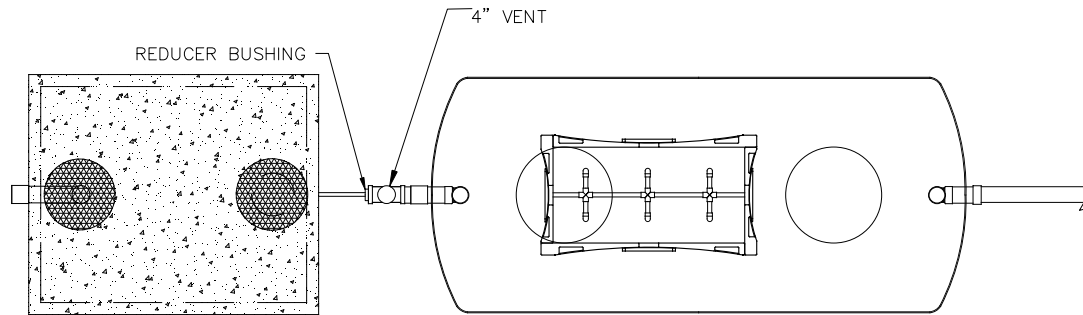
- ELEVATION LEVEL BETWEEN TANKS PER OREGON STATE RULES.
- PIPE SIZE TO DRAIN FIELD PER OREGON STATE REGULATIONS.
- ALL TANKS MUST BE WATERTIGHT.
- ALL EXTERIOR PIPE SIZE AS PER OREGON REQUIREMENTS
- SEPTIC TANK VOLUME AS REQUIRED IN OR 340-071-220 (3).

**OPTIONAL VENT LOCATIONS:**



CONFIGURATION 1

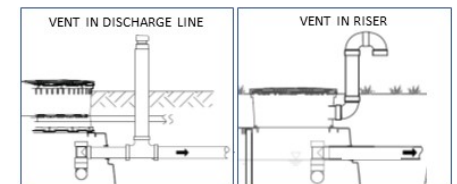
					<b>DELTA ECOPOD-N 500 GPD UNIT W/ OREGON APPROVED SEPTIC TANK &amp; DEP24.5115V HIGH HEAD PUMP STATION</b>				
REV.	DATE	REVISION DESCRIPTION	BY	PLOT SCALE	DRAWING NUMBER	DRAWN BY	DATE	SHEET OF	REV
				NTS	DEP248A E50N	L.CUTRER	7/28/16	1 OF 1	B
<small>COMPANY CONFIDENTIAL: INFORMATION CONTAINED HEREIN IS CONFIDENTIAL. IT IS THE PROPERTY OF DELTA TREATMENT SYSTEMS, IT IS TO BE USED SOLELY FOR THE PURPOSE PROVIDED, AND IT IS NOT TO BE DISCLOSED TO OTHERS WITHOUT THE PRIOR WRITTEN CONSENT OF DELTA TREATMENT SYSTEMS.</small>									



**NOTES:**

- ELEVATION LEVEL BETWEEN TANKS PER OREGON STATE RULES.
- PIPE SIZE TO DRAIN FIELD PER OREGON STATE REGULATIONS.
- ALL TANKS MUST BE WATERTIGHT.
- ALL EXTERIOR PIPE SIZE AS PER OREGON REQUIREMENTS
- SEPTIC TANK VOLUME AS REQUIRED IN OR 340-071-220 (3).

**OPTIONAL VENT LOCATIONS:**



**CONFIGURATION 2**

REV.	DATE	REVISION DESCRIPTION	BY

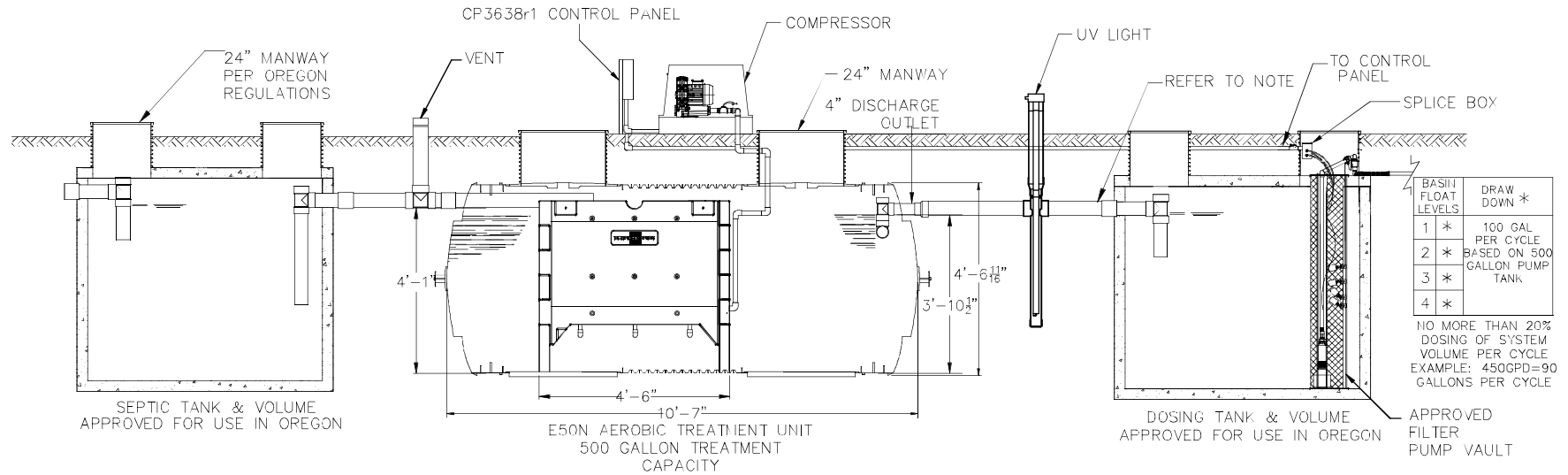
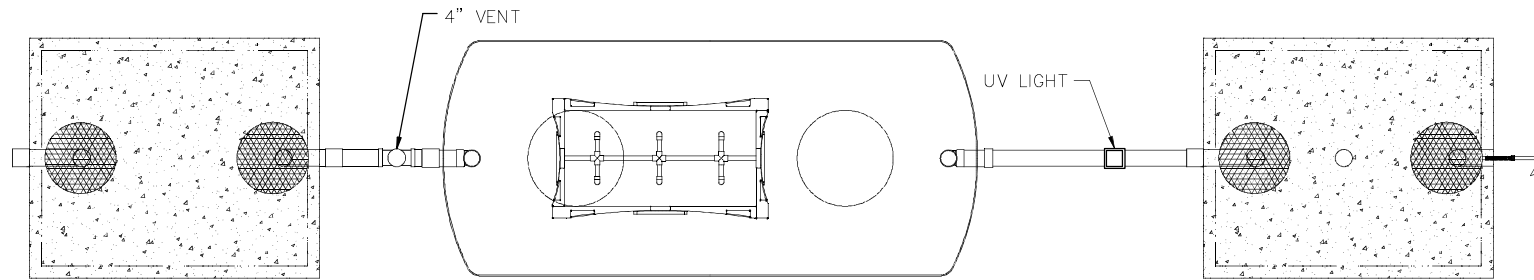
COMPANY CONFIDENTIAL: INFORMATION CONTAINED HEREIN IS CONFIDENTIAL. IT IS THE PROPERTY OF DELTA TREATMENT SYSTEMS, IT IS TO BE USED SOLELY FOR THE PURPOSE PROVIDED, AND IT IS NOT TO BE DISCLOSED TO OTHERS WITHOUT THE PRIOR WRITTEN CONSENT OF DELTA TREATMENT SYSTEMS.



PLOT SCALE NTS	DRAWING NUMBER DEP248A E50N
-------------------	--------------------------------

**DELTA ECOPOD 500 GPD UNIT  
W/ OREGON APPROVED DOSING SEPTIC  
TANK**

DRAWN BY L.CUTRER	DATE 7/28/16	SHEET OF 1 OF 1	REV B
----------------------	-----------------	-----------------------	----------

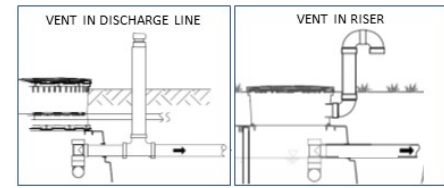


BASIN FLOAT LEVELS	DRAW DOWN *
1 *	100 GAL PER CYCLE
2 *	BASED ON 500 GALLON PUMP TANK
3 *	
4 *	

NO MORE THAN 20%  
DOSING OF SYSTEM  
VOLUME PER CYCLE  
EXAMPLE: 450GPD=90  
GALLONS PER CYCLE

PUMP CHART			
PUMP	ELEVATION	MAX. DISTANCE	MIN. PIPE SIZE
1/2 HP	30'	500'	min 3"
1 HP	100'	1000'	min 3"

**OPTIONAL VENT LOCATIONS:**

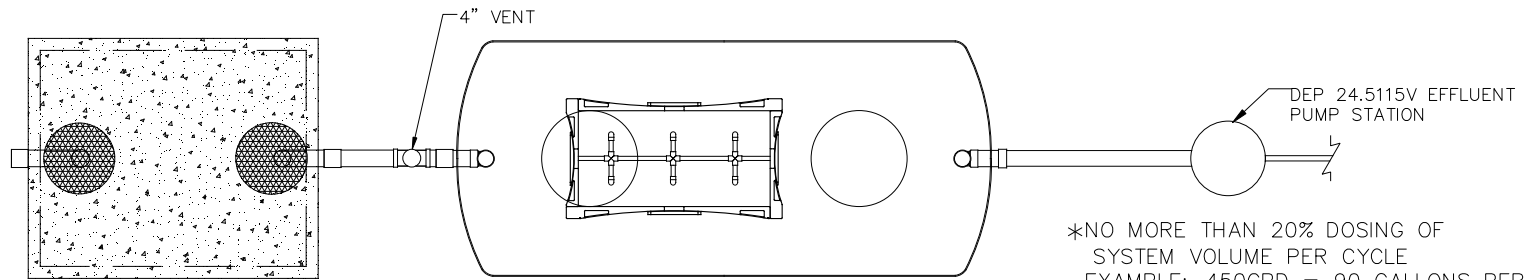


**NOTES:**

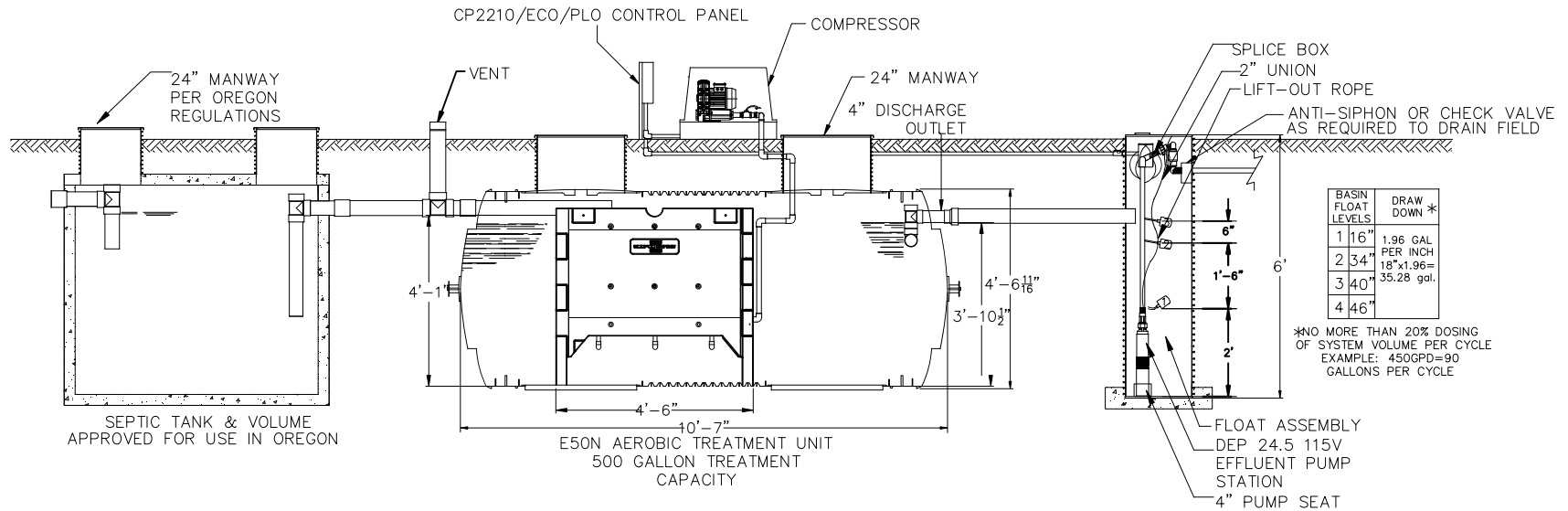
- ELEVATION LEVEL BETWEEN TANKS PER OREGON STATE RULES.
- PIPE SIZE TO DRAIN FIELD PER OREGON STATE REGULATIONS.
- ALL TANKS MUST BE WATERTIGHT.
- ALL EXTERIOR PIPE SIZE AS PER OREGON REQUIREMENTS
- SEPTIC TANK VOLUME AS REQUIRED IN OR 340-071-220 (3).

**CONFIGURATION 3**

					<b>DELTA ECOPOD 500 GPD UNIT W/ OREGON APPROVED SEPTIC TANK &amp; DOSING TANK</b>				
REV.	DATE	REVISION DESCRIPTION	BY	PLOT SCALE	DRAWING NUMBER	DRAWN BY	DATE	SHEET OF	REV
				NTS	DEP248A E50N	L.CUTRER	04/24/15	1 OF 1	A
<small>COMPANY CONFIDENTIAL: INFORMATION CONTAINED HEREIN IS CONFIDENTIAL. IT IS THE PROPERTY OF DELTA TREATMENT SYSTEMS, IT IS TO BE USED SOLELY FOR THE PURPOSE PROVIDED, AND IT IS NOT TO BE DISCLOSED TO OTHERS WITHOUT THE PRIOR WRITTEN CONSENT OF DELTA TREATMENT SYSTEMS.</small>									



\*NO MORE THAN 20% DOSING OF SYSTEM VOLUME PER CYCLE  
EXAMPLE: 450GPD = 90 GALLONS PER CYCLE.



BASIN FLOAT LEVELS	DRAW DOWN *
1 16"	1.96 GAL PER INCH
2 34"	18"x1.96=
3 40"	35.28 gal.
4 46"	

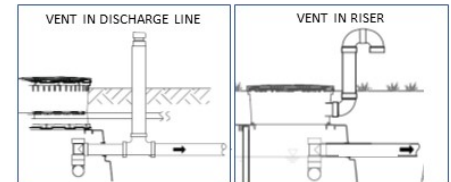
\*NO MORE THAN 20% DOSING OF SYSTEM VOLUME PER CYCLE  
EXAMPLE: 450GPD=90 GALLONS PER CYCLE

**NOTES:**

- ELEVATION LEVEL BETWEEN TANKS PER OREGON STATE RULES.
- PIPE SIZE TO DRAIN FIELD PER OREGON STATE REGULATIONS.
- ALL TANKS MUST BE WATERTIGHT.
- ALL EXTERIOR PIPE SIZE AS PER OREGON REQUIREMENTS
- SEPTIC TANK VOLUME AS REQUIRED IN OR 340-071-220 (3).

CONFIGURATION 1

**OPTIONAL VENT LOCATIONS:**



REV.	DATE	REVISION DESCRIPTION	BY



**DELTA ECOPOD-N 500 GPD UNIT  
W/ OREGON APPROVED SEPTIC TANK &  
DEP24.5115V HIGH HEAD PUMP STATION**

COMPANY CONFIDENTIAL: INFORMATION CONTAINED HEREIN IS CONFIDENTIAL. IT IS THE PROPERTY OF DELTA TREATMENT SYSTEMS, IT IS TO BE USED SOLELY FOR THE PURPOSE PROVIDED, AND IT IS NOT TO BE DISCLOSED TO OTHERS WITHOUT THE PRIOR WRITTEN CONSENT OF DELTA TREATMENT SYSTEMS.

PLOT SCALE  
NTS

DRAWING NUMBER  
DEP248A E50N

DRAWN BY  
L.CUTRER

DATE  
7/28/16

SHEET  
OF  
1 OF 1

REV  
B