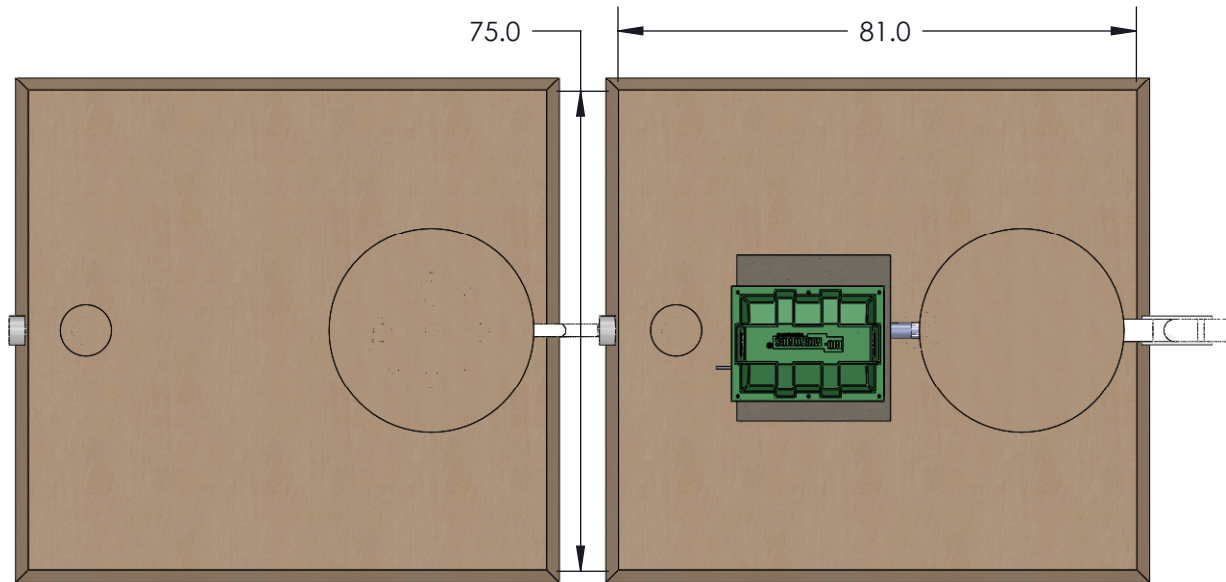


APPROVED
 By Randy Trox at 5:12 pm, Sep 15, 2011

Notes:

- The cleanout port at the front of the tank will not be interfered with.
- The outlet tee will be removed to allow the FAST® treatment system outlet to be installed properly.
- See Waite Tank drawing "1000 Gallon Mid-Seam Septic Tank" for detailed tank dimensions.
- All exterior pipe size as per Oregon requirements.
- The volume of the septic and dosing tank will be as required in OAR 340-071.
- All connections into and out of pumping system shall be sealed and water tight.
- The pumping system must be properly vented.
- All electrical connections shall meet local codes.
- Reference "Short-FAST-Module-Procedure" and MicroFAST drawings for additional information.

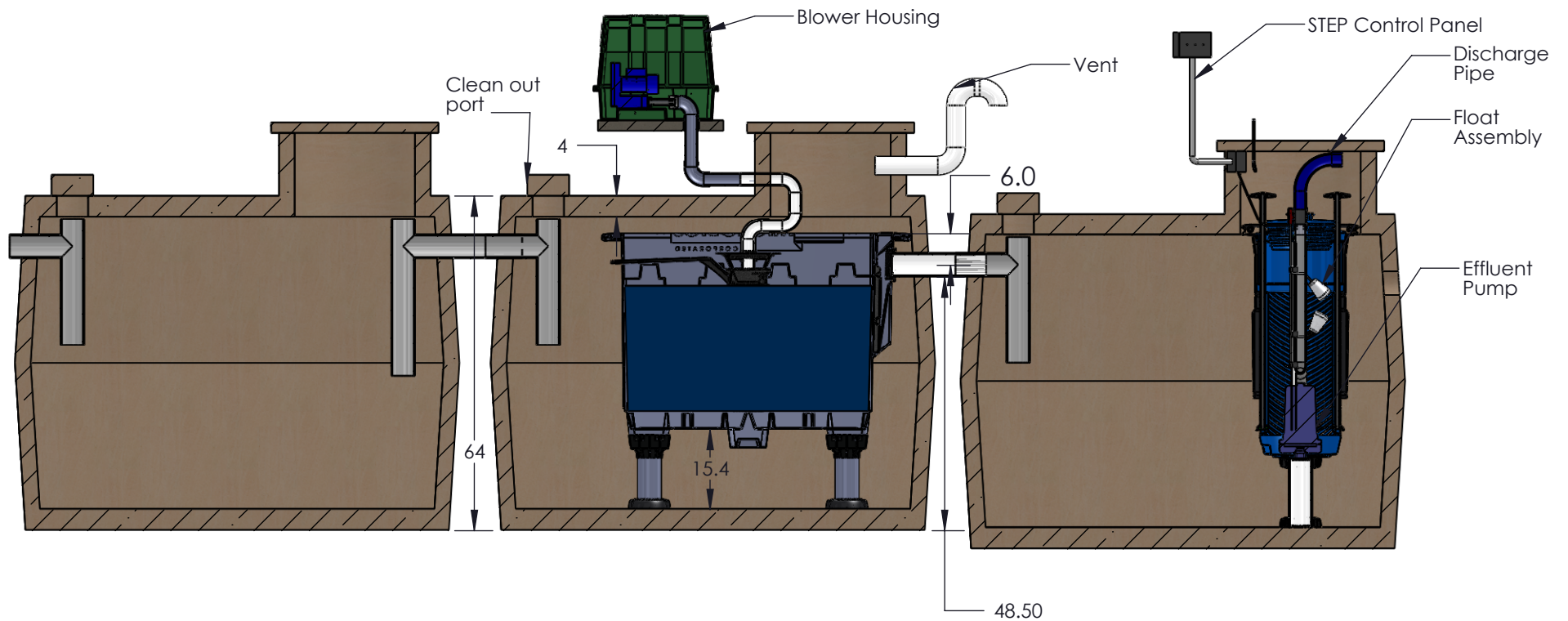


DO NOT SCALE
 UNLESS NOTED
 DIMENSIONS
 ARE IN INCHES
 [CENTIMETERS]
 TOLERANCES
 ± 0.02 IN/IN
 [± 0.05 CM/CM]



Mid-Seam Waite 0.5 MCF

WEIGHT	lb	SIZE	DRAWING NUMBER	SHEET 1 OF 1
NAME	DATE	A	Dosing Septic	
DRAWN CTC	8/11/2009		REVISED 2/9/2010	
CHECKED PF	2/9/2010		REV. INI-01-Q	



Notes:

- The cleanout port at the front of the tank will not be interfered with.
- The outlet tee will be removed to allow the FAST® treatment system outlet to be installed properly.
- See Waite Tank drawing "1000 Gallon Mid-Seam Septic Tank" for detailed tank dimensions.
- All exterior pipe size as per Oregon requirements.
- The volume of the septic and dosing tank will be as required in OAR 340-071.
- All connections into and out of pumping system shall be sealed and water tight.
- The pumping system must be properly vented.
- All electrical connections shall meet local codes.
- Reference "Short-FAST-Module-Procedure" and MicroFAST drawings for additional information.

APPROVED
By Randy Trox at 5:12 pm, Sep 15, 2011

DO NOT SCALE
 UNLESS NOTED
 DIMENSIONS
 ARE IN INCHES
 [CENTIMETERS]
 TOLERANCES
 ± 0.02 IN/IN
 [± 0.05 CM/CM]

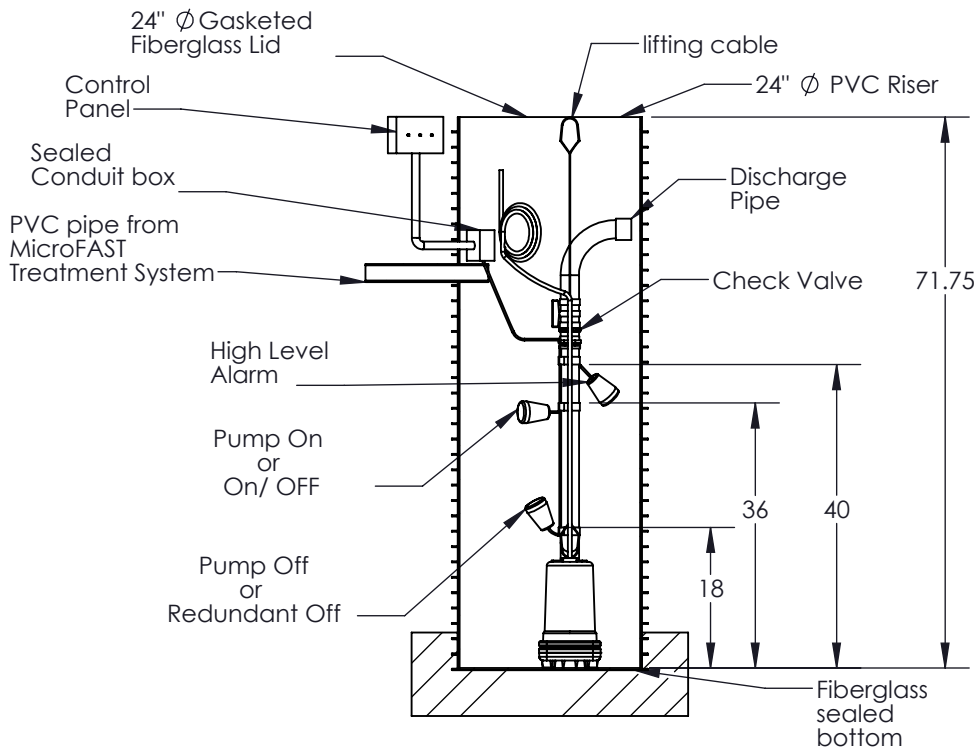
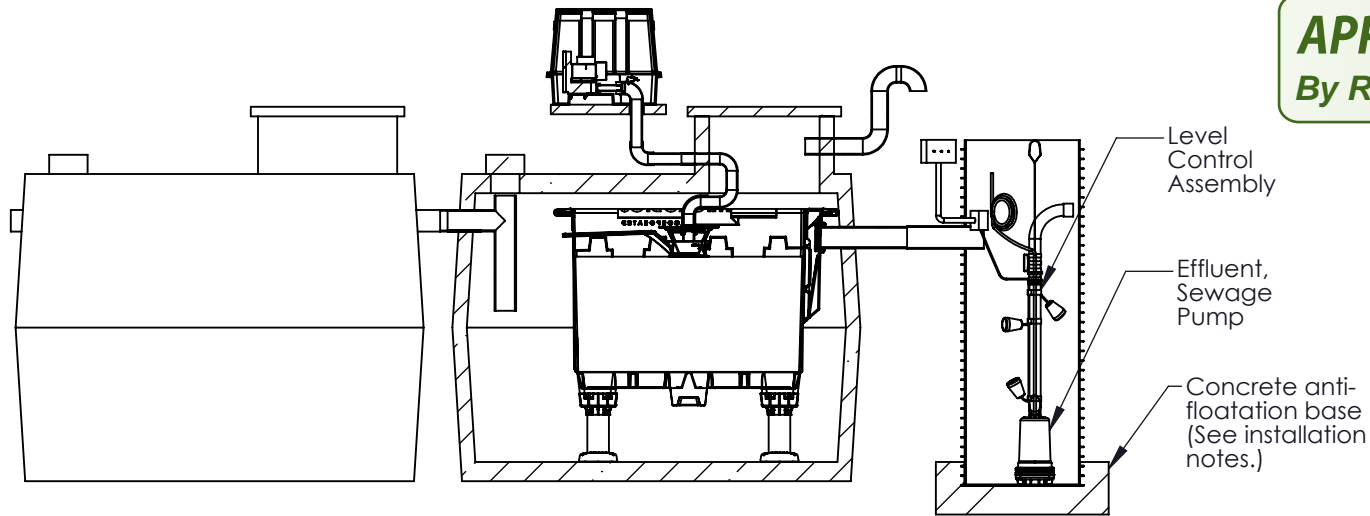


Mid-Seam Waite 0.5 MCF

WEIGHT	lb	SIZE	DRAWING NUMBER	SHEET 2 OF 3
NAME	DATE	A	Post Pump Tank	
DRAWN	CTC 8/11/2009			
CHECKED	PF 2/9/2010		REVISED 2/9/2010 REV. INI-01-Q	

APPROVED

By Randy Trox at 5:12 pm, Sep 15, 2011



Notes:

- The cleanout port at the front of the tank will not be interfered with.
- The outlet tee will be removed to allow the FAST® treatment system outlet to be installed properly.
- See Waite Tank drawing "1000 Gallon Mid-Seam Septic Tank" for detailed tank dimensions.
- All exterior pipe size as per Oregon requirements.
- The volume of the septic and dosing tank will be as required in OAR 340-071.
- All connections into and out of pumping system shall be sealed and water tight.
- The pumping system must be properly vented.
- All electrical connections shall meet local codes.
- Reference "Short-FAST-Module-Procedure" and MicroFAST drawings for additional information.

DO NOT SCALE
UNLESS NOTED
DIMENSIONS
ARE IN INCHES
[CENTIMETERS]
TOLERANCES
 ± 0.02 IN/IN
 ± 0.05 CM/CM

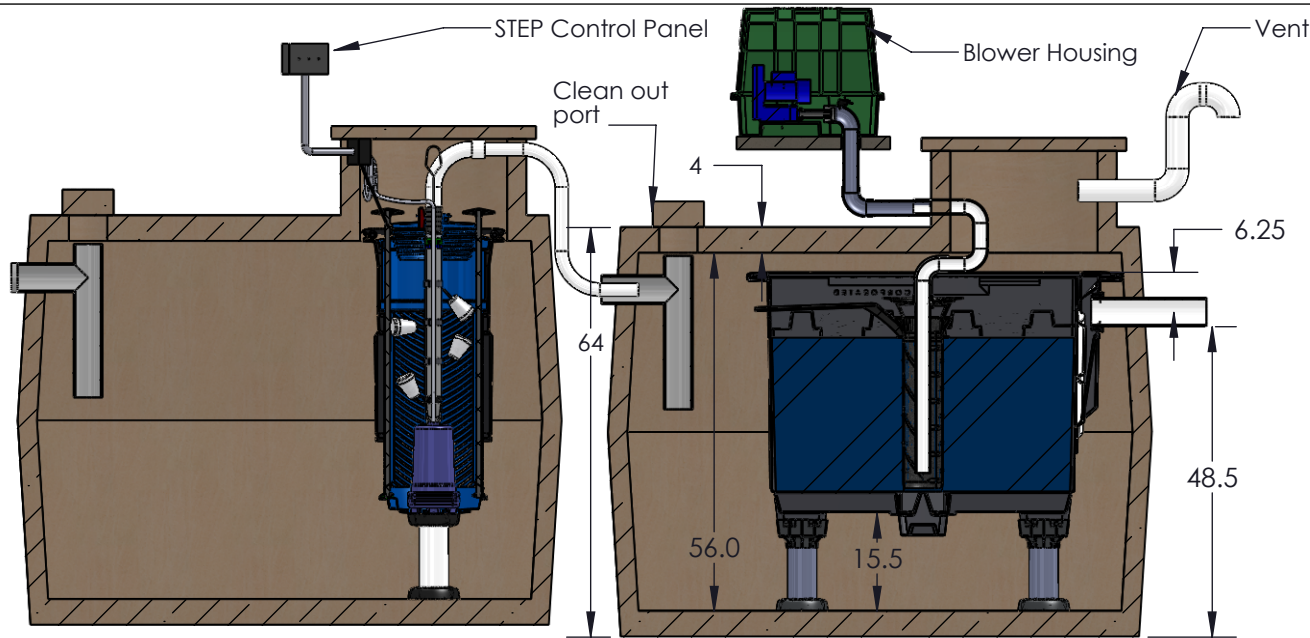


Mid-Seam Waite 0.5 MCF

WEIGHT	lb	SIZE	DRAWING NUMBER	SHEET 3 OF 3
NAME	DATE	A	Distribution Vault	
DRAWN	CTC 8/11/2009		REVISED 2/9/2010	
CHECKED	PF 2/9/2010		REV. INI-01-I	

THE INFORMATION CONTAINED IN THIS DRAWING IS THE SOLE PROPERTY OF BIO-MICROBICS INC. ANY REPRODUCTION IN PART OR AS A WHOLE WITHOUT THE WRITTEN PERMISSION OF BIO-MICROBICS INC. IS PROHIBITED. DESIGN AND INVENTION RIGHTS ARE RESERVED. IN THE INTEREST OF TECHNOLOGICAL ADVANCEMENT, ALL PRODUCTS ARE SUBJECT TO DESIGN AND OR MATERIAL CHANGE WITHOUT NOTICE.

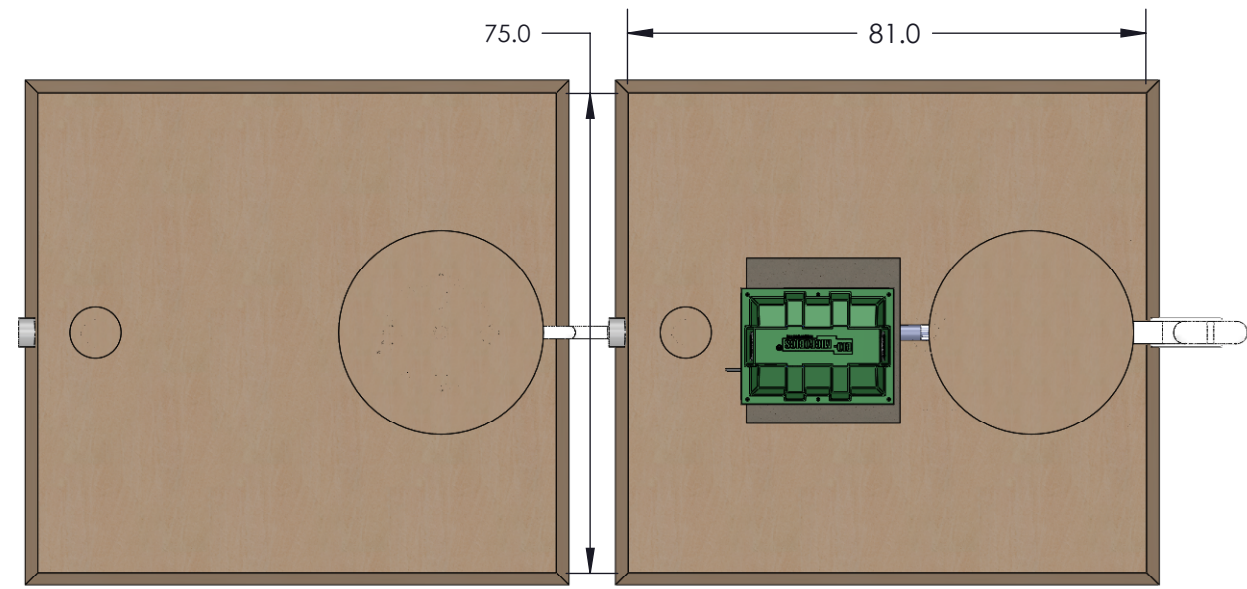
BIO-MICROBICS © 2010



APPROVED
 By Randy Trox at 7:51 am, Mar 10, 2010

Notes:

- The cleanout port at the front of the tank will not be interfered with.
- The outlet tee will be removed to allow the FAST® treatment system outlet to be installed properly.
- See Waite Tank drawing "1000 Gallon Mid-Seam Septic Tank" for detailed tank dimensions.
- All exterior pipe size as per Oregon requirements.
- The volume of the septic and dosing tank will be as required in OAR 340-071.
- All connections into and out of pumping system shall be sealed and water tight.
- The pumping system must be properly vented.
- All electrical connections shall meet local codes.
- Reference "Short-FAST-Module-Procedure" and MicroFAST drawings for additional information.



DO NOT SCALE
 UNLESS NOTED
 DIMENSIONS
 ARE IN INCHES
 [CENTIMETERS]
 TOLERANCES
 ± 0.02 IN/IN
 [± 0.05 CM/CM]



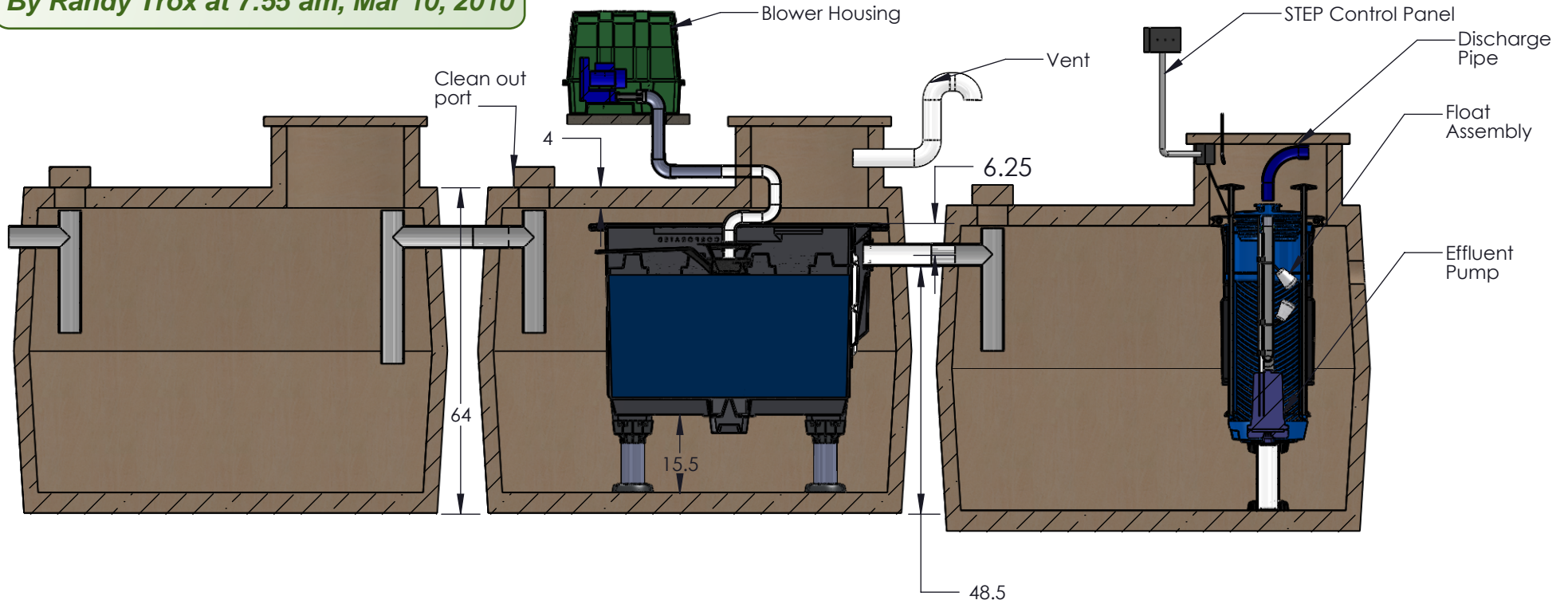
Mid-Seam Waite 0.75 MCF

WEIGHT		lb	SIZE	DRAWING NUMBER		SHEET 1 OF 1
NAME	DATE		A	Dosing Septic		
DRAWN	CTC	8/11/2009		REVISED	2/9/2010	
CHECKED	PF	2/9/2010				

THE INFORMATION CONTAINED IN THIS DRAWING IS THE SOLE PROPERTY OF BIO-MICROBICS INC. ANY REPRODUCTION IN PART OR AS A WHOLE WITHOUT THE WRITTEN PERMISSION OF BIO-MICROBICS INC. IS PROHIBITED. DESIGN AND INVENTION RIGHTS ARE RESERVED. IN THE INTEREST OF TECHNOLOGICAL ADVANCEMENT, ALL PRODUCTS ARE SUBJECT TO DESIGN AND OR MATERIAL CHANGE WITHOUT NOTICE. BIO-MICROBICS © 2010

APPROVED

By Randy Trox at 7:55 am, Mar 10, 2010



Notes:

- The cleanout port at the front of the tank will not be interfered with.
- The outlet tee will be removed to allow the FAST® treatment system outlet to be installed properly.
- See Waite Tank drawing "1000 Gallon Mid-Seam Septic Tank" for detailed tank dimensions.
- All exterior pipe size as per Oregon requirements.
- The volume of the septic and dosing tank will be as required in OAR 340-071.
- All connections into and out of pumping system shall be sealed and water tight.
- The pumping system must be properly vented.
- All electrical connections shall meet local codes.
- Reference "Short-FAST-Module-Procedure" and MicroFAST drawings for additional information.

DO NOT SCALE
UNLESS NOTED
DIMENSIONS
ARE IN INCHES
[CENTIMETERS]
TOLERANCES
± 0.02 IN/IN
[± 0.05 CM/CM]



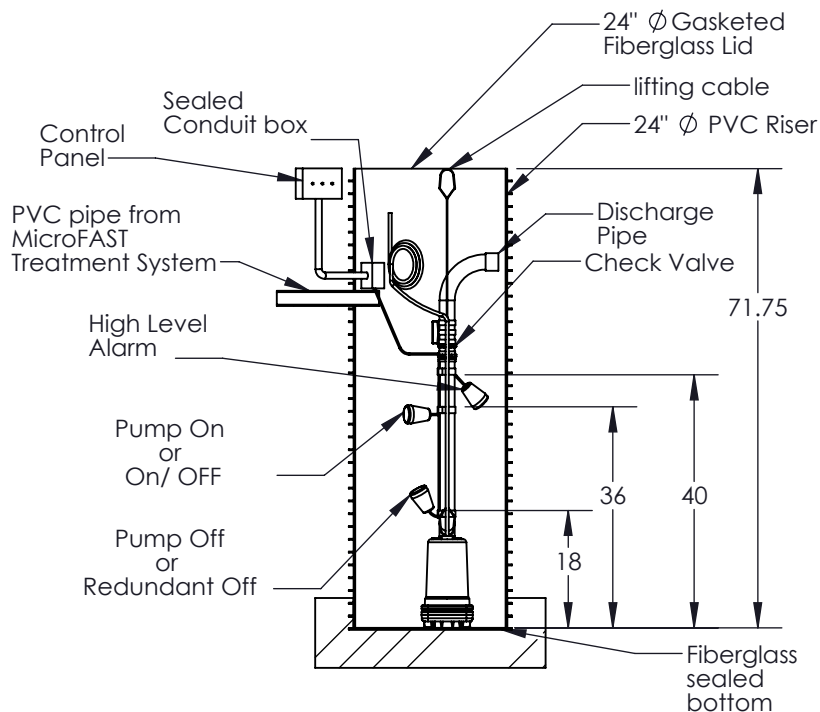
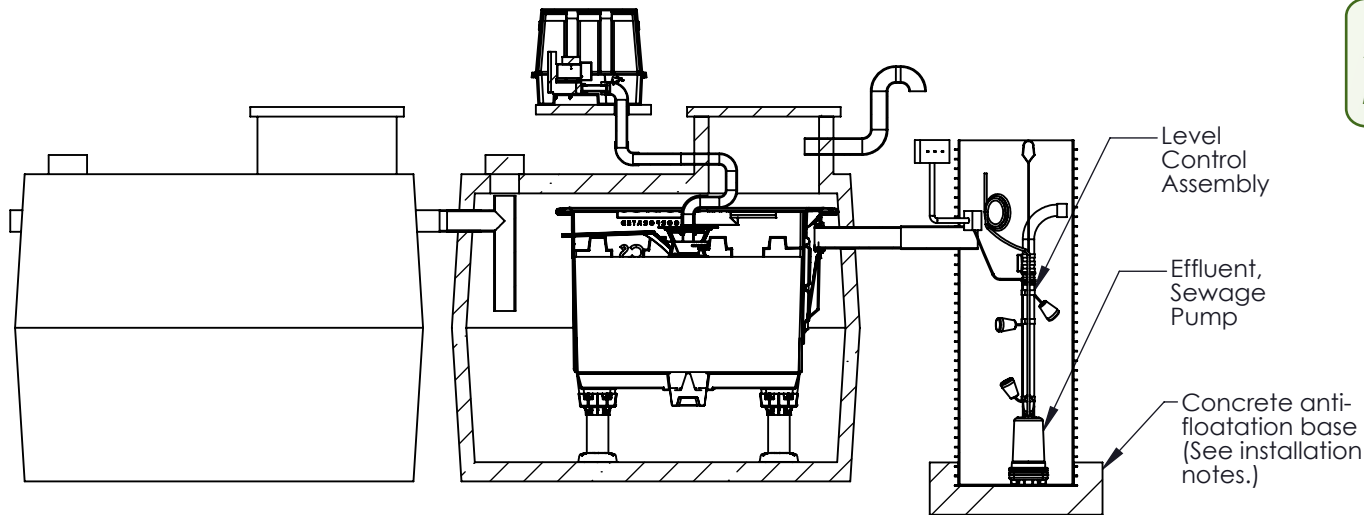
Mid-Seam Waite 0.75 MCF

WEIGHT	lb	SIZE	DRAWING NUMBER		SHEET 2 OF 3
NAME	DATE	A	Post Pump Tank		
DRAWN	CTC 8/11/2009		REVISED 2/9/2010	REV. INI-01-Q	
CHECKED	PF 2/9/2010				

THE INFORMATION CONTAINED IN THIS DRAWING IS THE SOLE PROPERTY OF BIO-MICROBICS INC. ANY REPRODUCTION IN PART OR AS A WHOLE WITHOUT THE WRITTEN PERMISSION OF BIO-MICROBICS INC. IS PROHIBITED. DESIGN AND INVENTION RIGHTS ARE RESERVED. IN THE INTEREST OF TECHNOLOGICAL ADVANCEMENT, ALL PRODUCTS ARE SUBJECT TO DESIGN AND OR MATERIAL CHANGE WITHOUT NOTICE. BIO-MICROBICS © 2010

APPROVED

By Randy Trox at 7:57 am, Mar 10, 2010



Notes:

- The cleanout port at the front of the tank will not be interfered with.
- The outlet tee will be removed to allow the FAST® treatment system outlet to be installed properly. See Waite Tank drawing "1000 Gallon Mid-Seam Septic Tank" for detailed tank dimensions.
- All exterior pipe size as per Oregon requirements.
- The volume of the septic and dosing tank will be as required in OAR 340-071.
- All connections into and out of pumping system shall be sealed and water tight.
- The pumping system must be properly vented.
- All electrical connections shall meet local codes.
- Reference "Short-FAST-Module-Procedure" and MicroFAST drawings for additional information.

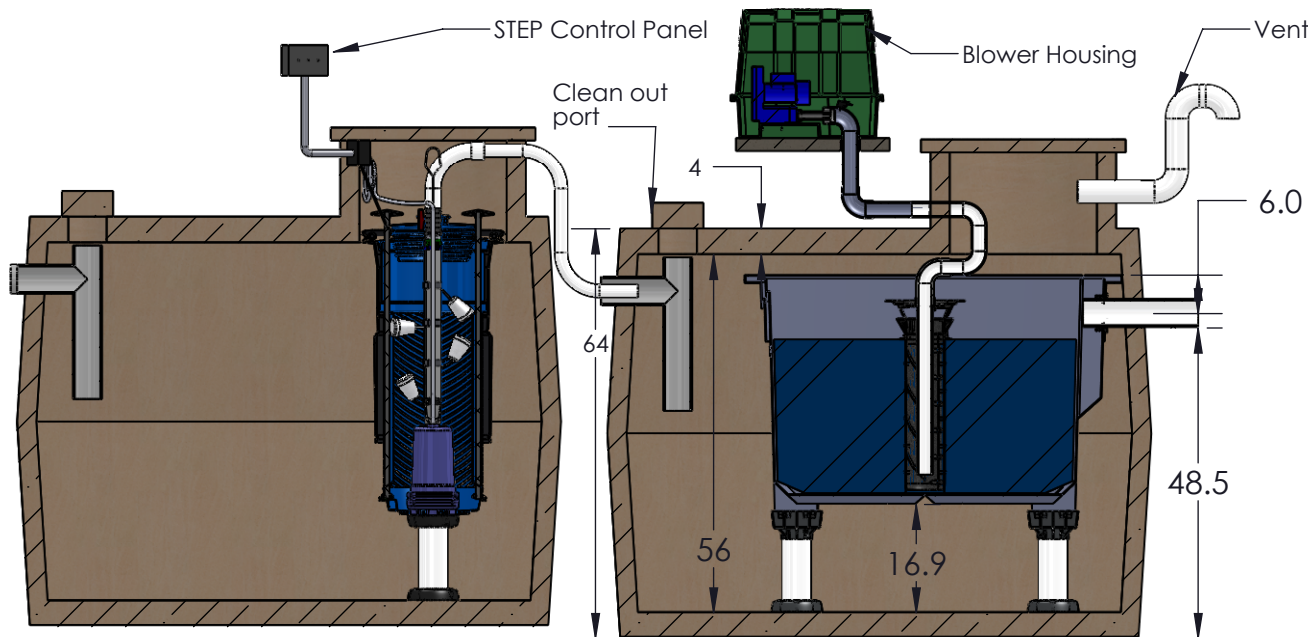
DO NOT SCALE
UNLESS NOTED
DIMENSIONS
ARE IN INCHES
[CENTIMETERS]
TOLERANCES
± 0.02 IN/IN
[± 0.05 CM/CM]



Mid-Seam Waite 0.75 MCF

WEIGHT	lb	SIZE	DRAWING NUMBER	SHEET 3 OF 3
NAME	DATE	A	Distribution Vault	
DRAWN	CTC 8/11/2009			
CHECKED	PF 2/9/2010		REVISED 2/9/2010	REV. INI-01-I

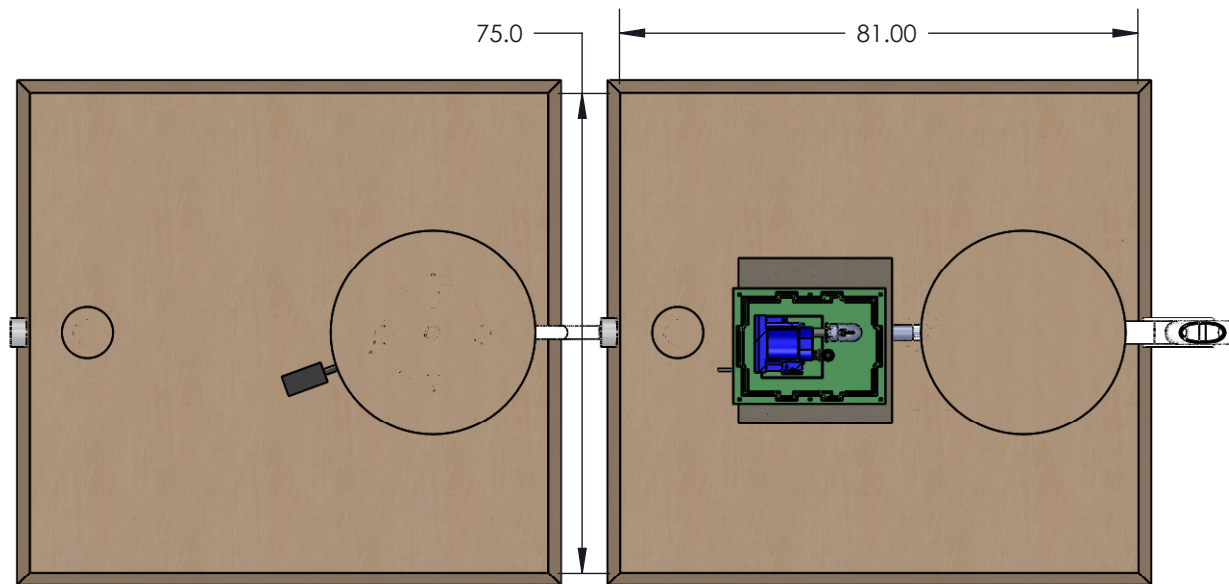
THE INFORMATION CONTAINED IN THIS DRAWING IS THE SOLE PROPERTY OF BIO-MICROBICS INC. ANY REPRODUCTION IN PART OR AS A WHOLE WITHOUT THE WRITTEN PERMISSION OF BIO-MICROBICS INC. IS PROHIBITED. DESIGN AND INVENTION RIGHTS ARE RESERVED. IN THE INTEREST OF TECHNOLOGICAL ADVANCEMENT, ALL PRODUCTS ARE SUBJECT TO DESIGN AND OR MATERIAL CHANGE WITHOUT NOTICE. BIO-MICROBICS © 2010



APPROVED
 By Randy Trox at 7:50 am, Mar 10, 2010

Notes:

- The cleanout port at the front of the tank will not be interfered with.
- The outlet tee will be removed to allow the FAST® treatment system outlet to be installed properly.
- See Waite Tank drawing "1000 Gallon Mid-Seam Septic Tank" for detailed tank dimensions.
- All exterior pipe size as per Oregon requirements.
- The volume of the septic and dosing tank will be as required in OAR 340-071.
- All connections into and out of pumping system shall be sealed and water tight.
- The pumping system must be properly vented.
- All electrical connections shall meet local codes.
- Reference "Short-FAST-Module-Procedure" and MicroFAST drawings for additional information.



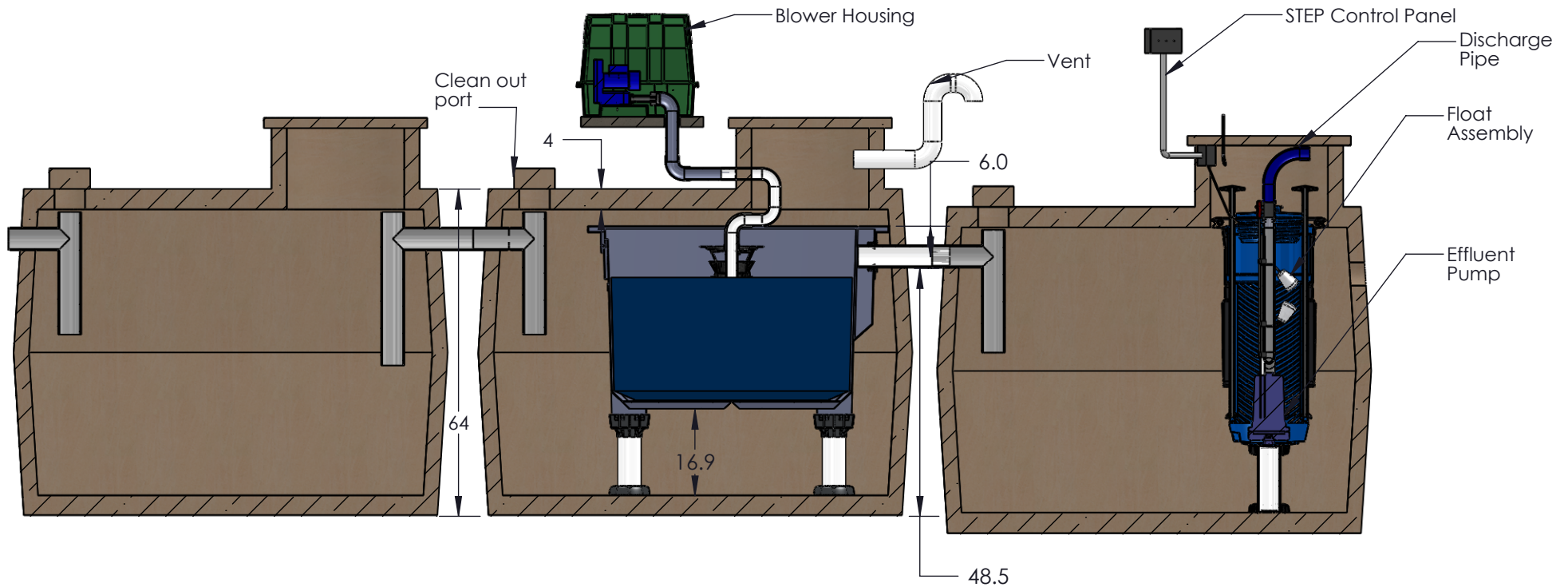
DO NOT SCALE
 UNLESS NOTED
 DIMENSIONS
 ARE IN INCHES
 [CENTIMETERS]
 TOLERANCES
 ± 0.02 IN/IN
 [± 0.05 CM/CM]



Mid-Seam Waite 0.90 MCF

WEIGHT	lb	SIZE	DRAWING NUMBER		SHEET 1 OF 1
NAME	DATE	A	Dosing Septic		
DRAWN CTC	8/11/2009		REVISED 2/9/2010	REV. INI-01-Q	
CHECKED PF	2/9/2010				

THE INFORMATION CONTAINED IN THIS DRAWING IS THE SOLE PROPERTY OF BIO-MICROBICS INC. ANY REPRODUCTION IN PART OR AS A WHOLE WITHOUT THE WRITTEN PERMISSION OF BIO-MICROBICS INC. IS PROHIBITED. DESIGN AND INVENTION RIGHTS ARE RESERVED. IN THE INTEREST OF TECHNOLOGICAL ADVANCEMENT, ALL PRODUCTS ARE SUBJECT TO DESIGN AND OR MATERIAL CHANGE WITHOUT NOTICE. BIO-MICROBICS © 2010



APPROVED
By Randy Trox at 7:56 am, Mar 10, 2010

Notes:

- The cleanout port at the front of the tank will not be interfered with.
- The outlet tee will be removed to allow the FAST® treatment system outlet to be installed properly.
- See Waite Tank drawing "1000 Gallon Mid-Seam Septic Tank" for detailed tank dimensions.
- All exterior pipe size as per Oregon requirements.
- The volume of the septic and dosing tank will be as required in OAR 340-071.
- All connections into and out of pumping system shall be sealed and water tight.
- The pumping system must be properly vented.
- All electrical connections shall meet local codes.
- Reference "Short-FAST-Module-Procedure" and MicroFAST drawings for additional information.

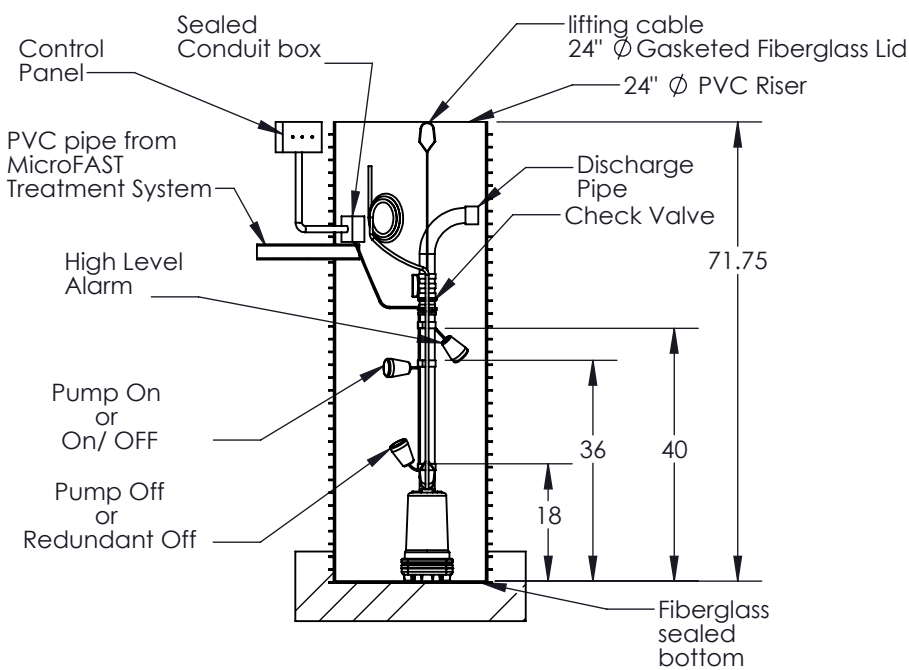
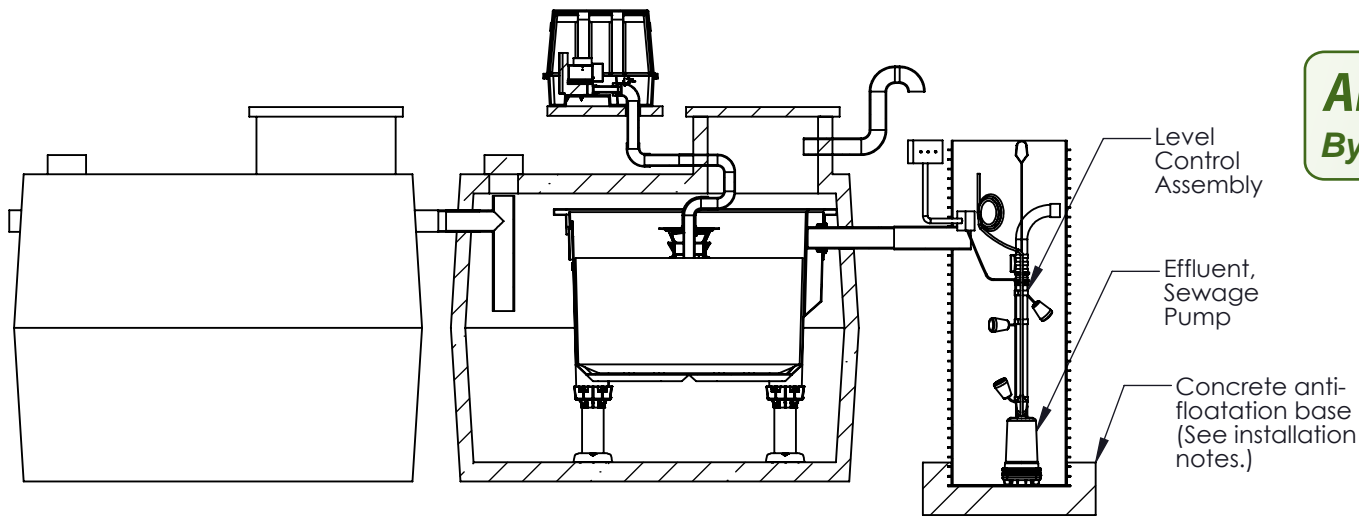
DO NOT SCALE
 UNLESS NOTED
 DIMENSIONS
 ARE IN INCHES
 [CENTIMETERS]
 TOLERANCES
 ± 0.02 IN/IN
 [± 0.05 CM/CM]



Mid-Seam Waite 0.90 MCF

WEIGHT	lb	SIZE	DRAWING NUMBER	SHEET 2 OF 3
NAME	DATE	A	Post Pump Tank	
DRAWN	CTC 8/11/2009			
CHECKED	PF 2/9/2010		REVISED 2/9/2010 REV. INI-01-Q	

APPROVED
 By Randy Trox at 7:56 am, Mar 10, 2010



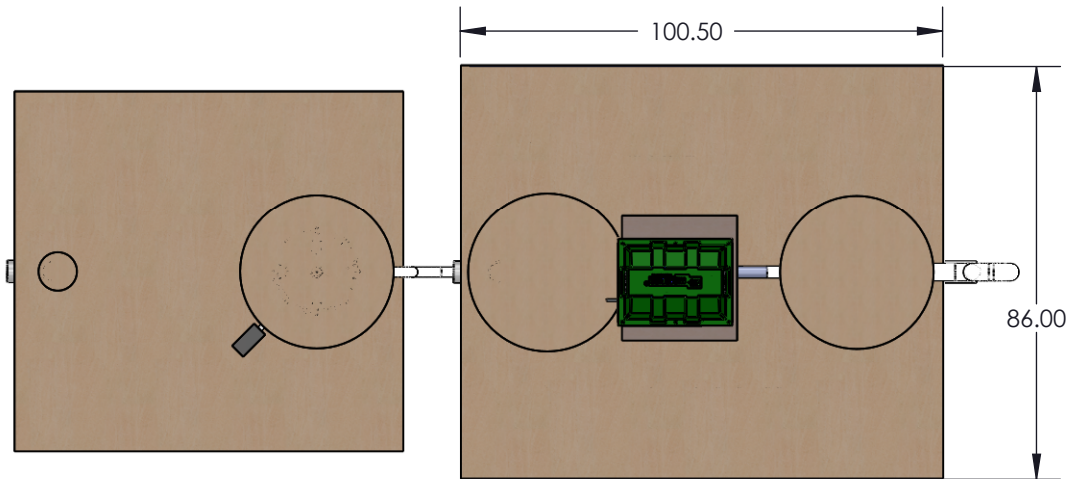
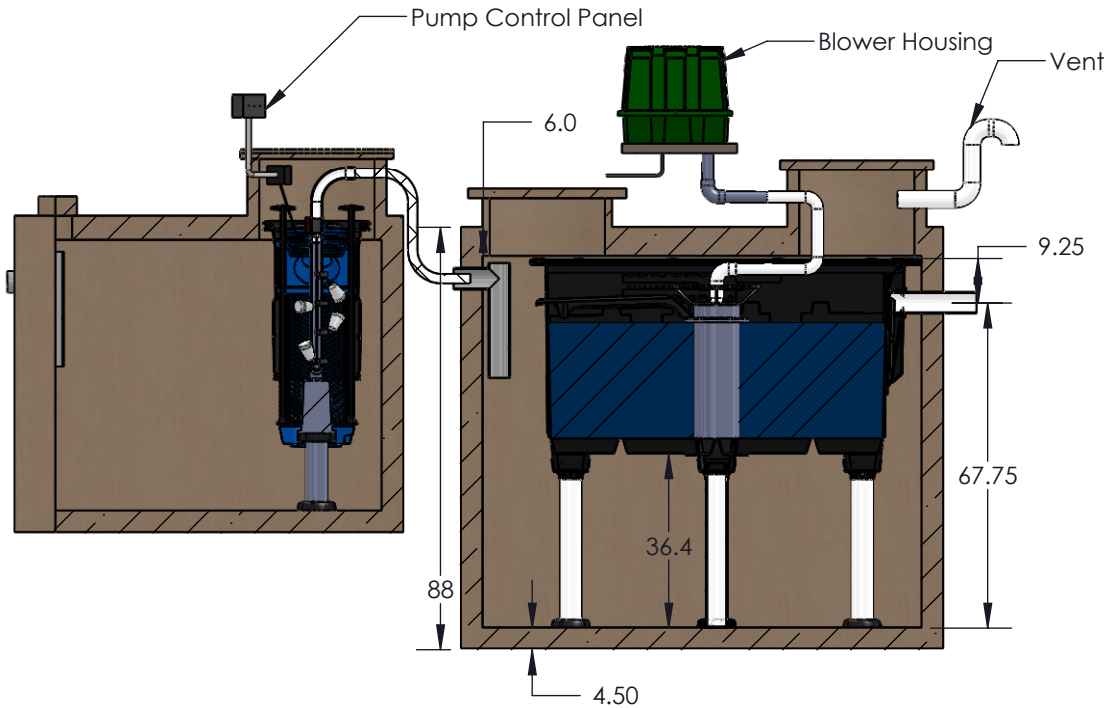
- Notes:
- The cleanout port at the front of the tank will not be interfered with.
 - The outlet tee will be removed to allow the FAST® treatment system outlet to be installed properly.
 - See Waite Tank drawing "1000 Gallon Mid-Seam Septic Tank" for detailed tank dimensions.
 - All exterior pipe size as per Oregon requirements.
 - The volume of the septic and dosing tank will be as required in OAR 340-071.
 - All connections into and out of pumping system shall be sealed and water tight.
 - The pumping system must be properly vented.
 - All electrical connections shall meet local codes.
 - Reference "Short-FAST-Module-Procedure" and MicroFAST drawings for additional information.

UNLESS NOTED ARE IN INCHES [CENTIMETERS] ± 0.02 IN/IN [± 0.05 CM/CM]		BIO-MICROBICS INCORPORATED	
		Mid-Seam Waite 0.90 MCF	
WEIGHT	lb	SIZE	DRAWING NUMBER
		A	Distribution Vault
DRAWN	CTC	CHECKED	PF
	2/9/2010	REVISED	2/9/2010
		REV.	INI-01-I

THE INFORMATION CONTAINED IN THIS DRAWING IS THE SOLE PROPERTY OF BIO-MICROBICS INC. ANY REPRODUCTION IN PART OR AS A WHOLE WITHOUT THE WRITTEN PERMISSION OF BIO-MICROBICS INC. IS PROHIBITED. DESIGN AND INVENTION RIGHTS ARE RESERVED. IN THE INTEREST OF TECHNOLOGICAL ADVANCEMENT, ALL PRODUCTS ARE SUBJECT TO DESIGN AND OR MATERIAL CHANGE WITHOUT NOTICE.

APPROVED

By Randy Trox at 8:45 am, Mar 10, 2010



Notes:

- The inlet will not be interfered with.
- The outlet tee will be removed to allow the FAST® treatment system outlet to be installed properly.
- See Waite Tank drawing "2000 Gallon Septic Tank" for detailed tank dimensions.
- All exterior pipe size as per Oregon requirements.
- The volume of the septic and dosing tank will be as required in OAR 340-071.
- All connections into and out of pumping system shall be sealed and water tight.
- The pumping system must be properly vented.
- All electrical connections shall meet local codes.
- Reference "Short-FAST-Module-Procedure" and MicroFAST drawings for additional information.

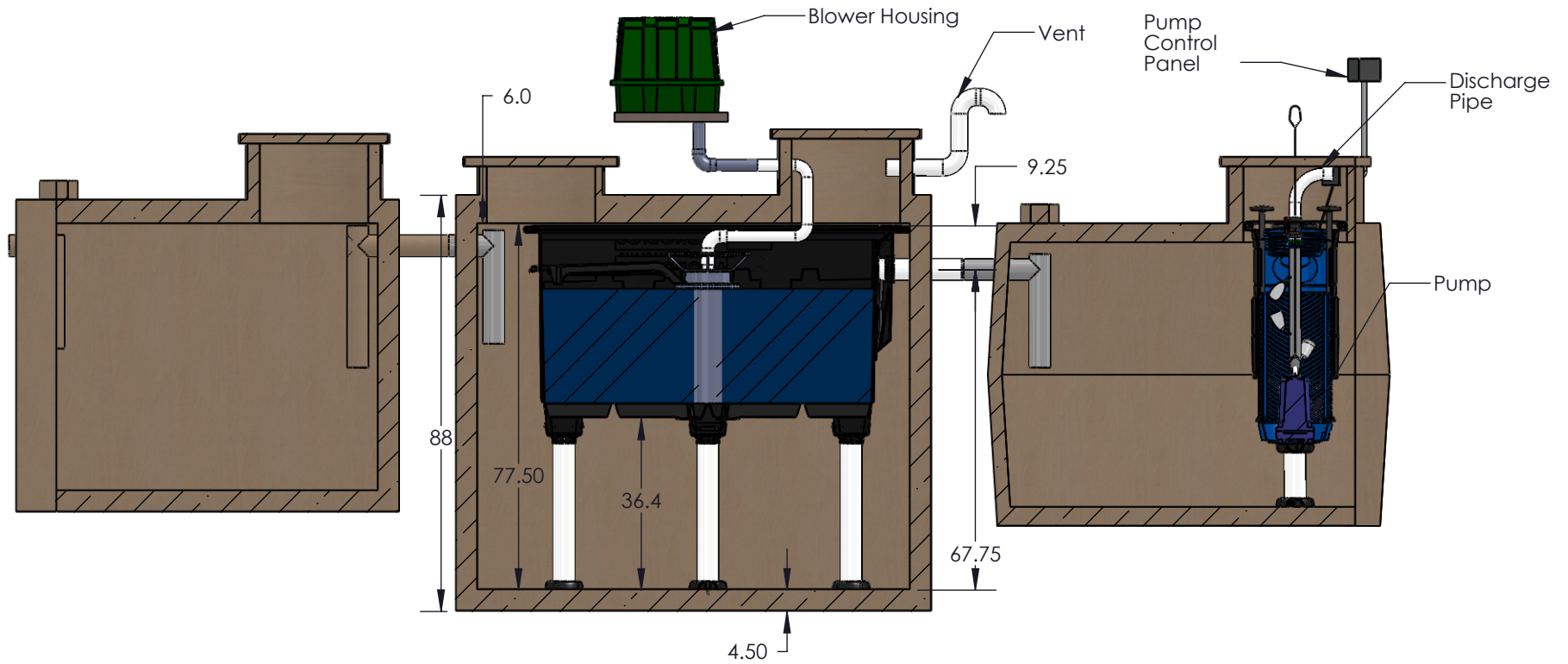
DO NOT SCALE
UNLESS NOTED
DIMENSIONS
ARE IN INCHES
[CENTIMETERS]
TOLERANCES
± 0.02 IN/IN
[± 0.05 CM/CM]



Waite 1.5 MCF

WEIGHT		lb	SIZE	DRAWING NUMBER		SHEET 1 OF 1
NAME	DATE		A	Dosing Septic		
DRAWN	CTC	8/11/2009		REVISED	2/25/2010	
CHECKED	AB	2/25/2010				


THE INFORMATION CONTAINED IN THIS DRAWING IS THE SOLE PROPERTY OF BIO-MICROBICS INC. ANY REPRODUCTION IN PART OR AS A WHOLE WITHOUT THE WRITTEN PERMISSION OF BIO-MICROBICS INC. IS PROHIBITED. DESIGN AND INVENTION RIGHTS ARE RESERVED. IN THE INTEREST OF TECHNOLOGICAL ADVANCEMENT, ALL PRODUCTS ARE SUBJECT TO DESIGN AND OR MATERIAL CHANGE WITHOUT NOTICE. BIO-MICROBICS © 2010



Notes:

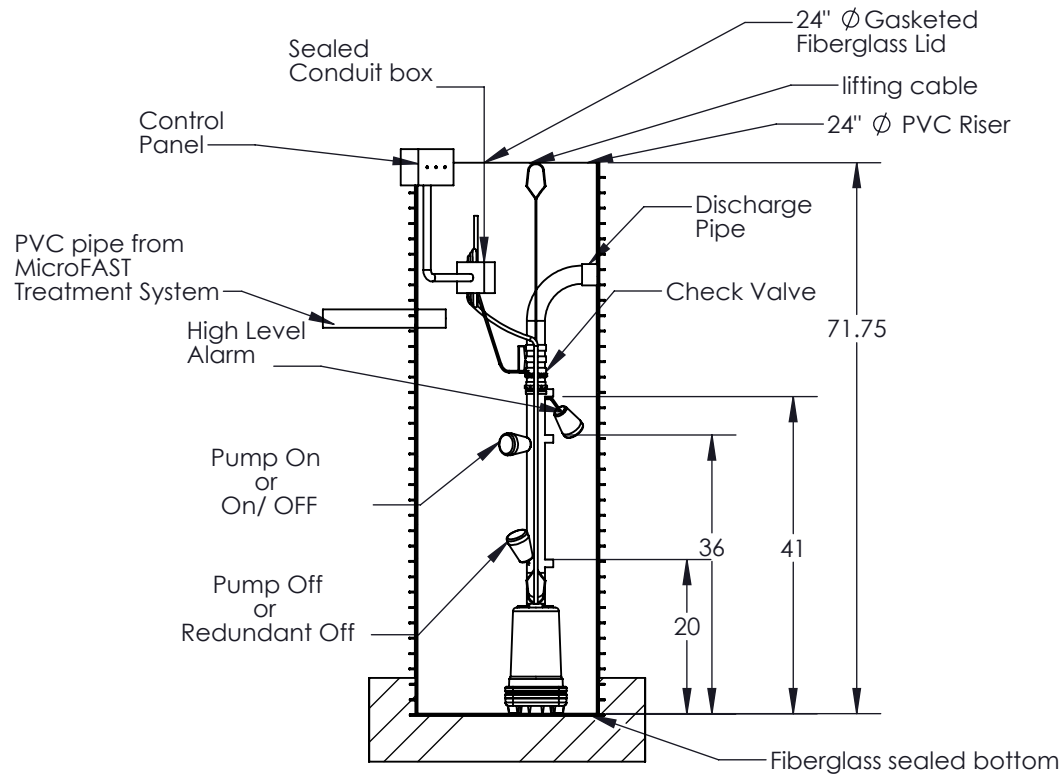
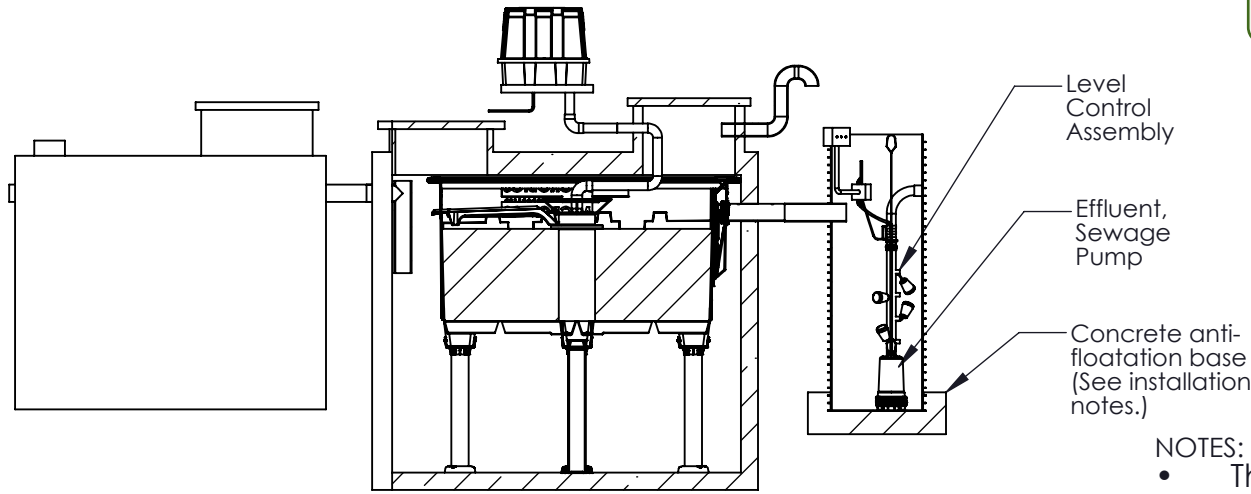
- The inlet will not be interfered with.
- The outlet tee will be removed to allow the FAST® treatment system outlet to be installed properly.
- See Waite Tank drawing "2000 Gallon Septic Tank" for detailed tank dimensions.
- All exterior pipe size as per Oregon requirements.
- The volume of the septic and dosing tank will be as required in OAR 340-071.
- All connections into and out of pumping system shall be sealed and water tight.
- The pumping system must be properly vented.
- All electrical connections shall meet local codes.
- Reference "Short-FAST-Module-Procedure" and MicroFAST drawings for additional information.

APPROVED
By Randy Trox at 8:45 am, Mar 10, 2010

DO NOT SCALE UNLESS NOTED DIMENSIONS ARE IN INCHES [CENTIMETERS] TOLERANCES ± 0.02 IN/IN [± 0.05 CM/CM]		 Waite 1.5 MCF	
WEIGHT	lb		
		A	Distribution Tank
NAME	DATE		
DRAWN CTC	8/11/2009		
CHECKED AB	2/25/2010	REVISED 2/25/2010	REV. INI-01-U

APPROVED

By Randy Trox at 8:45 am, Mar 10, 2010



NOTES:

- The inlet will not be interfered with.
- The outlet tee will be removed to allow the FAST® treatment system outlet to be installed properly.
- See Waite Tank drawing "2000 Gallon Septic Tank" for detailed tank dimensions.
- All exterior pipe size as per Oregon requirements.
- The volume of the septic and dosing tank will be as required in OAR 340-071.
- All connections into and out of pumping system shall be sealed and water tight.
- The pumping system must be properly vented.
- All electrical connections shall meet local codes.
- Reference "Short-FAST-Module-Procedure" and MicroFAST drawings for additional information.

DO NOT SCALE
UNLESS NOTED
DIMENSIONS
ARE IN INCHES
[CENTIMETERS]
TOLERANCES
 ± 0.02 IN/IN
 $[\pm 0.05$ CM/CM]



Waite 1.5 MCF

WEIGHT	lb	SIZE	DRAWING NUMBER	SHEET 3 OF 3
NAME	DATE	A	Distribution Vault	
DRAWN	CTC 8/11/2009		REVISED 2/25/2010	
CHECKED	AB 2/25/2010		REV. INI-01-J	

THE INFORMATION CONTAINED IN THIS DRAWING IS THE SOLE PROPERTY OF BIO-MICROBICS INC. ANY REPRODUCTION IN PART OR AS A WHOLE WITHOUT THE WRITTEN PERMISSION OF BIO-MICROBICS INC. IS PROHIBITED. DESIGN AND INVENTION RIGHTS ARE RESERVED. IN THE INTEREST OF TECHNOLOGICAL ADVANCEMENT, ALL PRODUCTS ARE SUBJECT TO DESIGN AND OR MATERIAL CHANGE WITHOUT NOTICE. BIO-MICROBICS © 2010

APPROVED

By Randy Trox at 7:52 am, Mar 10, 2010

NOTES:

Installation

- The Basin is composed of a plastic pipe with a fiberglass bottom and gasketed fiberglass lid. An optional anti-flotation ring may be provided to prevent the basin from floating.
- A 3" to 4" thick concrete base is required for anchoring purposes in areas where floatation of the vault is possible.
- All connections into and out of pumping system shall be sealed and water tight.
- The pumping system must be properly vented.
- All electrical connections shall meet local codes.

Electrical

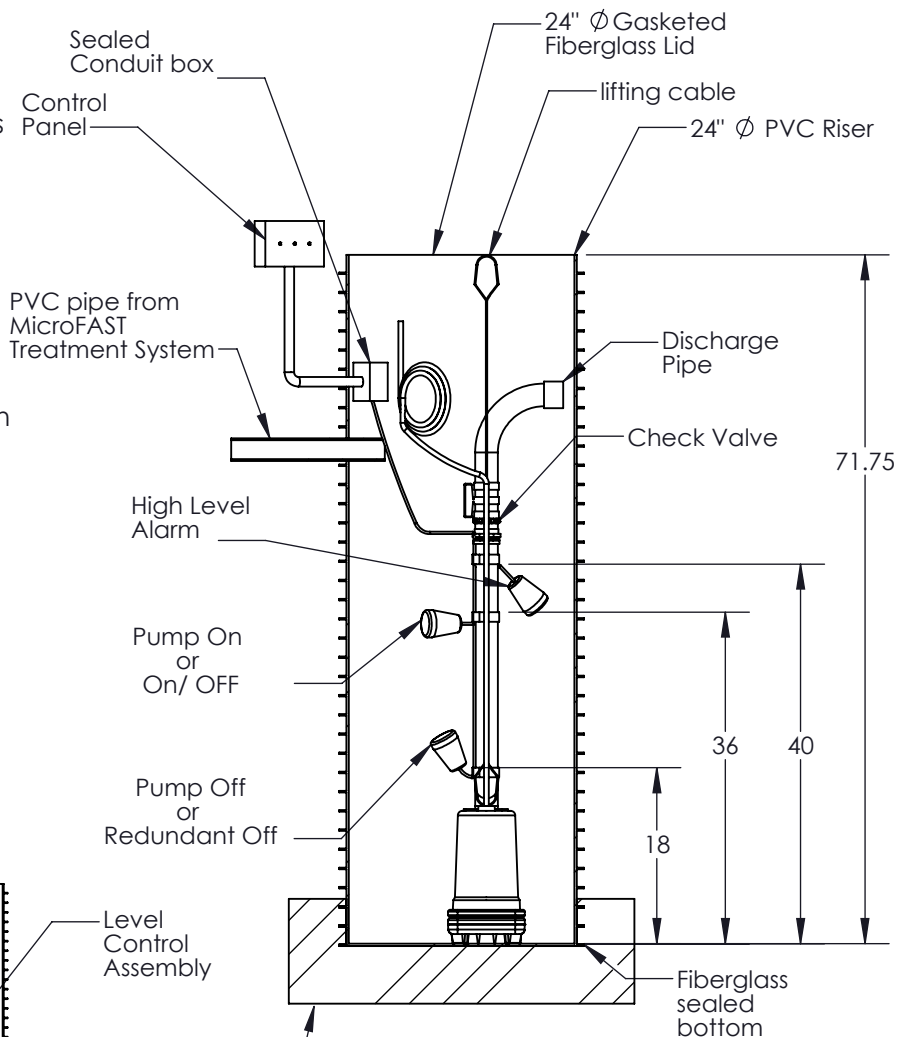
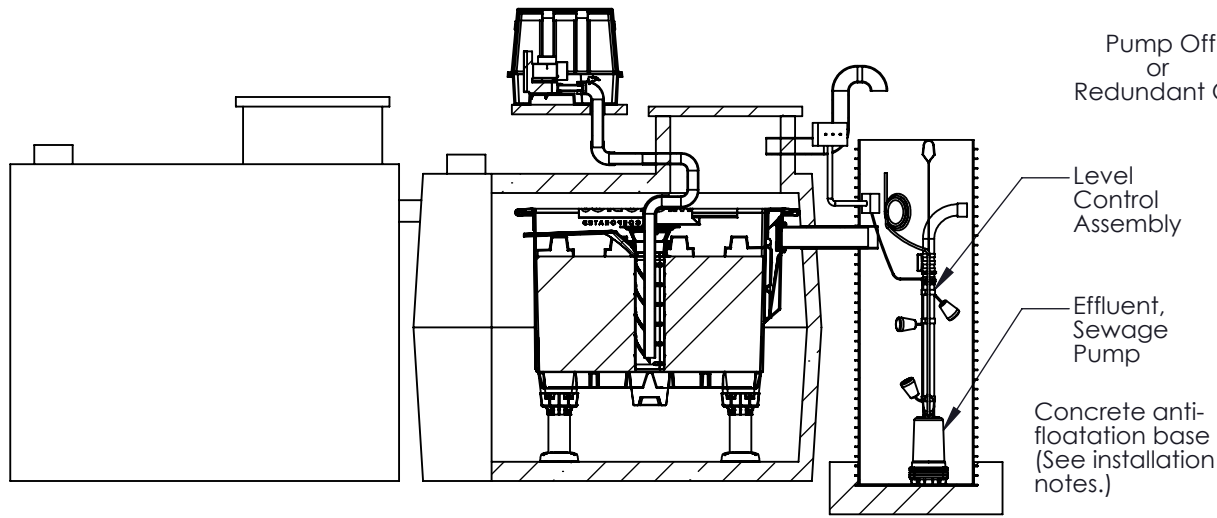
- Content level control and pump power cords to junction box as shown.
- Make certain all compression fittings are tight.
- Install control panel.
- Run wires to control panel through conduit and connect cords coming into the connection box. Mark or trace each incoming wire so that it can be connected to the proper cord.

Starting System

- Open Ball Valve
- Run water into basin until the "On" level control starts the pump. Allow pump to operate until sump level drops, deactivating "Off level control, stopping pump.

Operations

- Draw down on this Pump vault is 1.96 gallons per inch. 18" operational zone between float 18" float and 36" float creates a pump volume of 35.25 gallons per dose.
- Foats can be moved for various desired dose volumes and pumps.



DO NOT SCALE
UNLESS NOTED
DIMENSIONS
ARE IN INCHES
[CENTIMETERS]
TOLERANCES
± 0.02 IN/IN
[± 0.05 CM/CM]



Pump Vault

WEIGHT	lb	SIZE	DRAWING NUMBER	SHEET 1 OF 1
NAME	DATE	A	Pump Vault Profile	
DRAWN	CTC 8/17/2009			
CHECKED	PF 1/22/2010		REVISED 1/22/2010 REV. INI-01-G	