

Treatment Volume
1060 Gallons (4000 L)

8 3/8"
[21]


12"
[30]

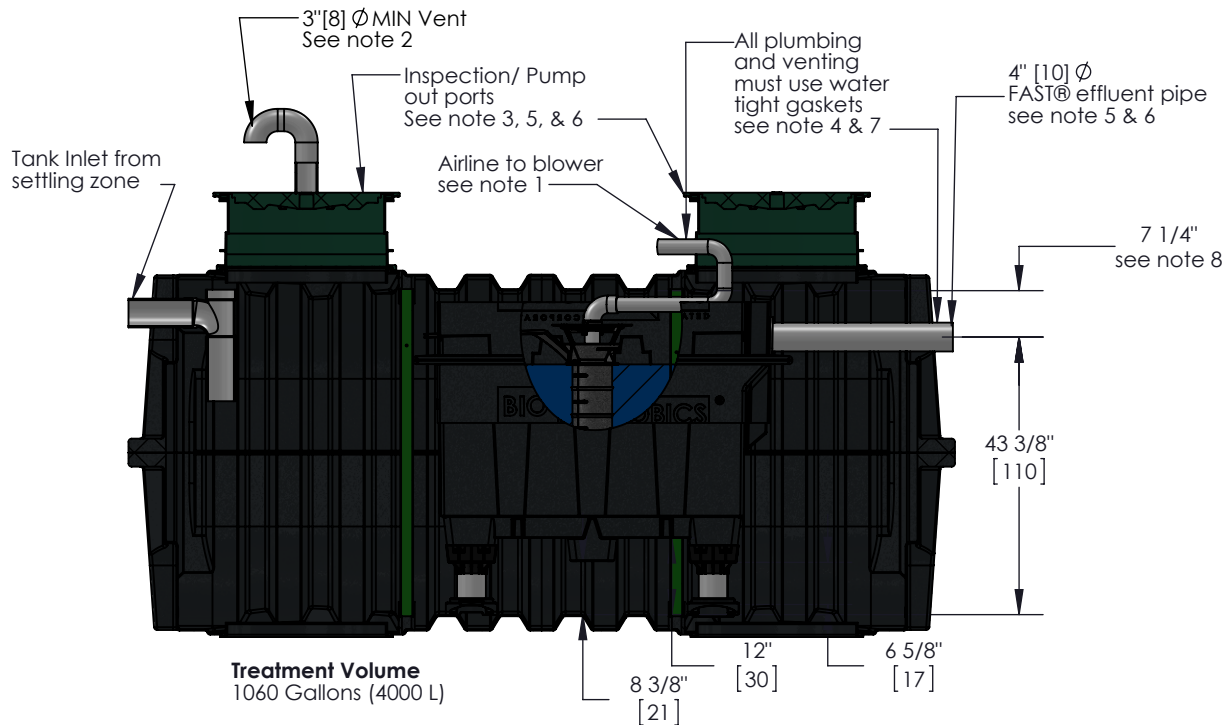
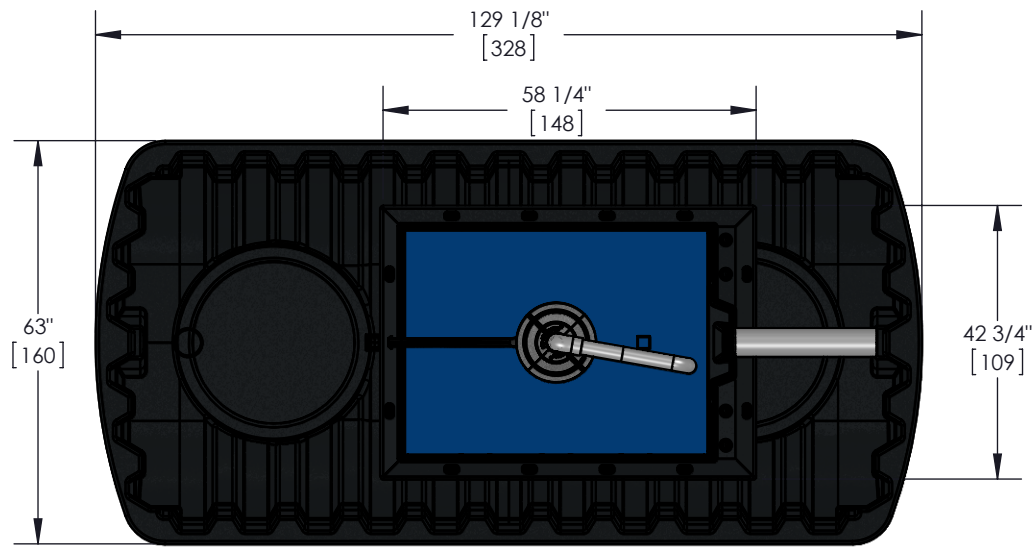
6 5/8"
[17]

NOTES

1. Airline piping to FAST® may not exceed 70 FT [21m] total length and have a maximum of 5 elbows in the piping system (@ 70FT [21m]). For distances greater than 70FT [21m] consult factory. Blower must be located above flood levels on a concrete base 26" X 20" X 2" [65 X 50 X 5cm] min.
2. Vent to be located above finish grade or higher to avoid infiltration. Cap with a vent grate with at least 7.1 sq in. [45.8 sq. cm] open surface area. Secure with stainless steel screws.
or
Run Vent to desired location and cover opening with a vent grate with at least 7.1 sq in. [45.8 sq. cm] open surface area. Secure with stainless steel screws. Vent piping must not allow condensate build up or create back pressure. Vent must be above finished grade or higher.
3. All appurtenances to FAST® (e.g. tanks, access ports, electrical, etc.) must conform to all applicable country, state, province, and local plumbing and electrical codes.
4. All inspection, viewing and pump out ports must be secured to prevent accidental or unauthorized access.
5. Tank, piping, conduit, etc. are provided by others. Blower control system by Bio-Microbics, Inc. See Installation Manual
6. All piping and ancillary equipment installed after FAST® must not impede nor restrict free flow of effluent.
7. The air supply line into the FAST® unit must be secured to prevent vibration induced damage. The air supply line should be secured with a non-corrosive clamp every 2' min [60 cm].
8. Min. height may be reduced, consult factory and reference "Short-FAST-Module-Procedure.pdf".
9. Refer to Bio-Microbics supplement "IM-1060 Supplement" for installation details.
10. Nitrogen reduction beyond standard levels may require specific features to be incorporated into the tank design. Consult factory for guidance.

APPROVED
By Oregon DEQ on June 12, 2012

DO NOT SCALE UNLESS NOTED DIMENSIONS ARE IN INCHES [CENTIMETERS] TOLERANCES ± 0.02 IN/IN [± 0.05 CM/CM]		 IM1060 Installation	
WEIGHT	lb	SIZE	DRAWING NUMBER
		A	FAST 0.5 Layout
DRAWN	CTC	3/7/2012	
CHECKED	PF	4/17/2012	REVISED 4/17/2012
			REV. INI-01-F



NOTES

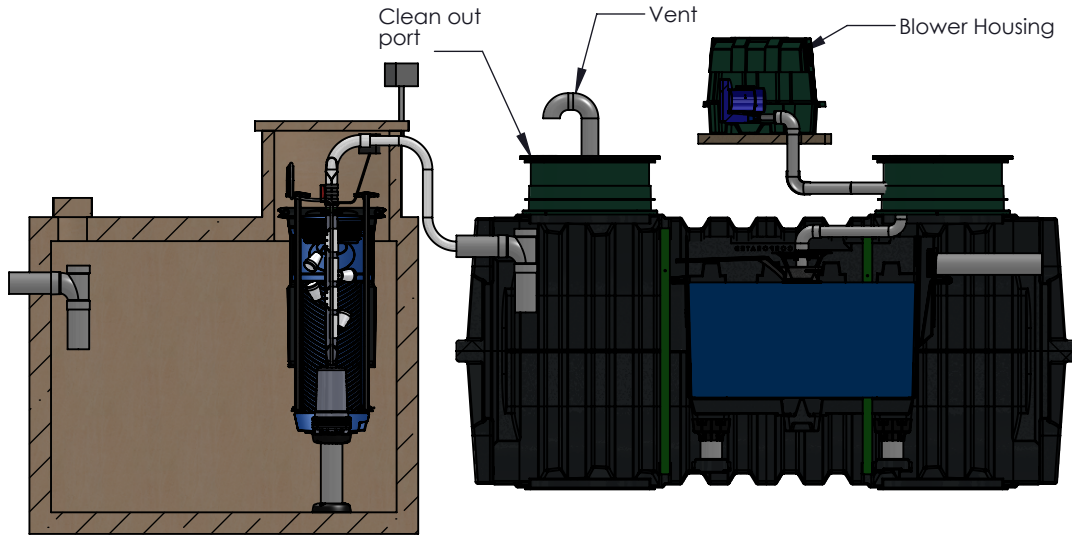
1. Airline piping to FAST@ may not exceed 70 FT [21m] total length and have a maximum of 5 elbows in the piping system (@ 70FT [21m]). For distances greater than 70FT [21m] consult factory. Blower must be located above flood levels on a concrete base 26" X 20" X 2" [65 X 50 X 5cm] min.
2. Vent to be located above finish grade or higher to avoid infiltration. Cap with a vent grate with at least 7.1 sq in.[45.8 sq. cm] open surface area. Secure with stainless steel screws.
or
Run Vent to desired location and cover opening with a vent grate with at least 7.1 sq in.[45.8 sq. cm] open surface area. Secure with stainless steel screws. Vent piping must not allow condensate build up or create back pressure. Vent must be above finished grade or higher.
3. All appurtenances to FAST@ (e.g. tanks, access ports, electrical, etc.) must conform to all applicable country, state, province, and local plumbing and electrical codes.
4. All inspection, viewing and pump out ports must be secured to prevent accidental or unauthorized access.
5. Tank, piping, conduit, etc. are provided by others. Blower control system by Bio-Microbics, Inc. See Installation Manual
6. All piping and ancillary equipment installed after FAST@ must not impede nor restrict free flow of effluent.
7. The air supply line into the FAST@ unit must be secured to prevent vibration induced damage. The air supply line should be secured with a non-corrosive clamp every 2' min [60 cm].
8. Min. height may be reduced, consult factory and reference "Short-FAST-Module-Procedure.pdf".
9. Refer to Bio-Microbics supplement "IM-1060 Supplement" for installation details.
10. Nitrogen reduction beyond standard levels may require specific features to be incorporated into the tank design. Consult factory for guidance.

APPROVED
By Oregon DEQ on June 12, 2012

DO NOT SCALE UNLESS NOTED DIMENSIONS ARE IN INCHES [CENTIMETERS] TOLERANCES ± 0.02 IN/IN [± 0.05 CM/CM]		BIO-MICROBICS INCORPORATED	
IM1060 Installation			
WEIGHT	lb	SIZE	DRAWING NUMBER
NAME	DATE	A	FAST 0.75 Layout
DRAWN	CTC 3/7/2012		
CHECKED	PF 4/17/2012		REVISED 4/17/2012
			REV. INI-01-F
			SHEET 2 OF 2

THE INFORMATION CONTAINED IN THIS DRAWING IS THE SOLE PROPERTY OF BIO-MICROBICS INC. ANY REPRODUCTION IN PART OR AS A WHOLE WITHOUT THE WRITTEN PERMISSION OF BIO-MICROBICS INC. IS PROHIBITED. DESIGN AND INVENTION RIGHTS ARE RESERVED. IN THE INTEREST OF TECHNOLOGICAL ADVANCEMENT, ALL PRODUCTS ARE SUBJECT TO DESIGN AND OR MATERIAL CHANGE WITHOUT NOTICE.

BIO-MICROBICS © 2012

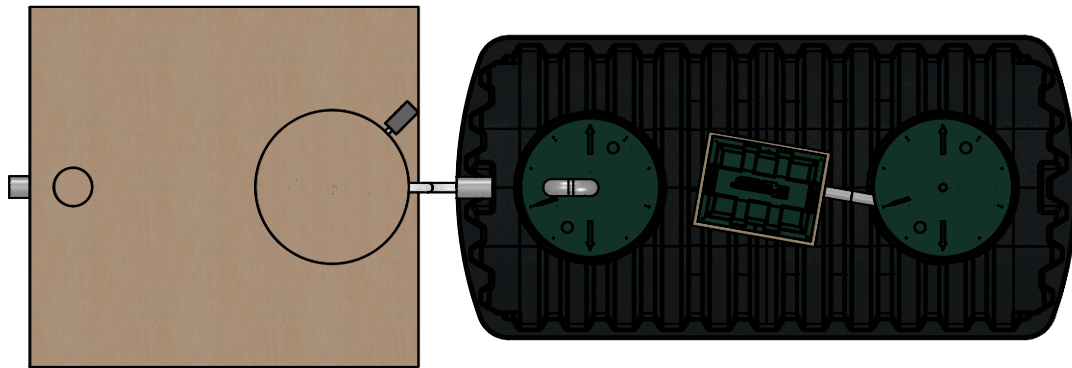


Notes:

- The cleanout port at the front of the tank will not be interfered with.
- The outlet tee will be removed to allow the FAST® treatment system outlet to be installed properly. See Bio-Microbics drawing "IM1060 Installation" for detailed tank dimensions.
- All exterior pipe size as per Oregon requirements.
- The volume of the septic and dosing tank will be as required in OAR 340-071.
- All connections into and out of pumping system shall be sealed and water tight.
- The pumping system must be properly vented.
- All electrical connections shall meet local codes. Reference "Short-FAST-Module-Procedure" and MicroFAST drawings for additional information.

APPROVED

By Oregon DEQ on June 12, 2012



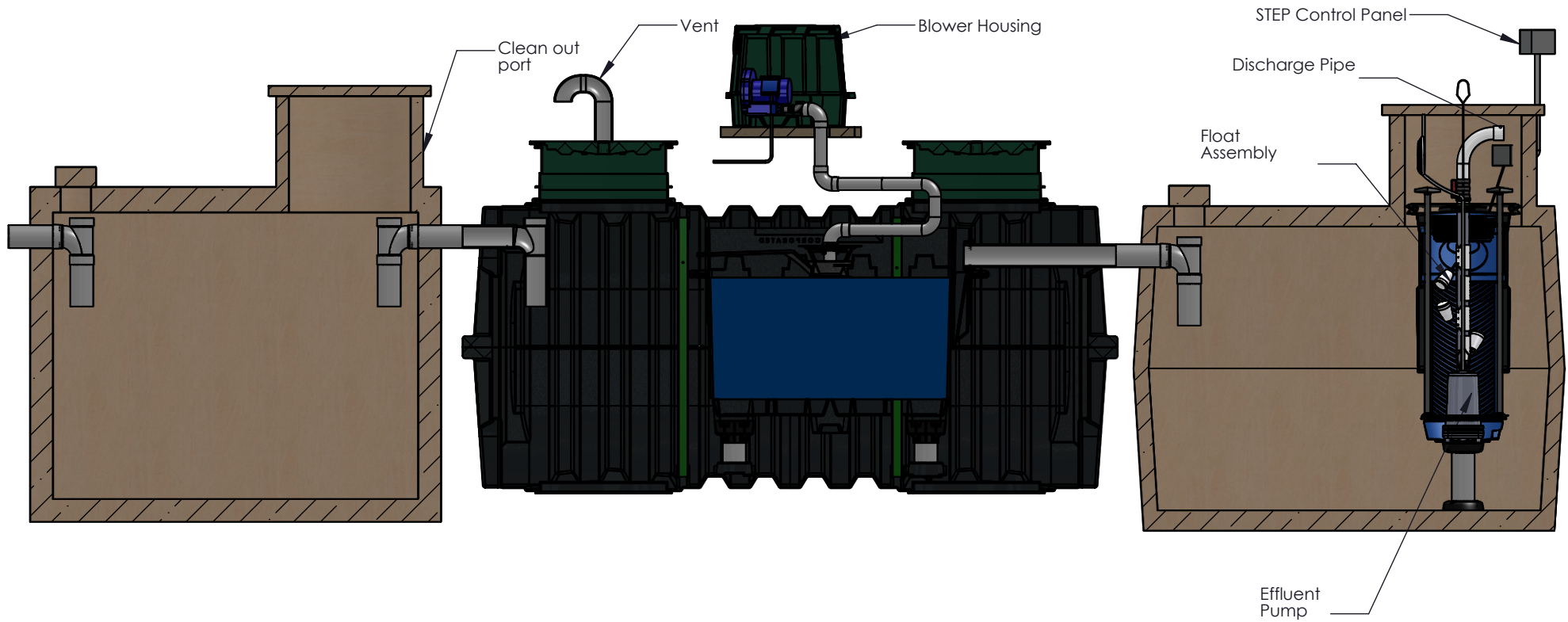
DO NOT SCALE
UNLESS NOTED
DIMENSIONS
ARE IN INCHES
[CENTIMETERS]
TOLERANCES
± 0.02 IN/IN
[± 0.05 CM/CM]



IM1060 0.5 MCF

WEIGHT		lb	SIZE	DRAWING NUMBER		SHEET 1 OF 1
NAME	DATE	A		Dosing Septic		
DRAWN	CTC	8/11/2009	REVISED 4/17/2012		REV. INI-02-D	
CHECKED	PF	4/17/2012				


THE INFORMATION CONTAINED IN THIS DRAWING IS THE SOLE PROPERTY OF BIO-MICROBICS INC. ANY REPRODUCTION IN PART OR AS A WHOLE WITHOUT THE WRITTEN PERMISSION OF BIO-MICROBICS INC. IS PROHIBITED. DESIGN AND INVENTION RIGHTS ARE RESERVED. IN THE INTEREST OF TECHNOLOGICAL ADVANCEMENT, ALL PRODUCTS ARE SUBJECT TO DESIGN AND OR MATERIAL CHANGE WITHOUT NOTICE. BIO-MICROBICS © 2012



APPROVED
 By Oregon DEQ on June 12, 2012

Notes:

- The cleanout port at the front of the tank will not be interfered with.
- The outlet tee will be removed to allow the FAST® treatment system outlet to be installed properly.
- See Bio-Microbics drawing "IM1060 Installation" for detailed tank dimensions.
- All exterior pipe size as per Oregon requirements.
- The volume of the septic and dosing tank will be as required in OAR 340-071.
- All connections into and out of pumping system shall be sealed and water tight.
- The pumping system must be properly vented.
- All electrical connections shall meet local codes.
- Reference "Short-FAST-Module-Procedure" and MicroFAST drawings for additional information.

DO NOT SCALE		 IM1060 0.5 MCF	
UNLESS NOTED DIMENSIONS ARE IN INCHES [CENTIMETERS] TOLERANCES ± 0.02 IN/IN [± 0.05 CM/CM]			
WEIGHT	lb	SIZE	DRAWING NUMBER
		A	Distribution Tank
NAME	DATE		
DRAWN CTC	8/11/2009		
CHECKED PF	4/17/2012	REVISED 4/17/2012	REV. INI-02-D

THE INFORMATION CONTAINED IN THIS DRAWING IS THE SOLE PROPERTY OF BIO-MICROBICS INC. ANY REPRODUCTION IN PART OR AS A WHOLE WITHOUT THE WRITTEN PERMISSION OF BIO-MICROBICS INC. IS PROHIBITED. DESIGN AND INVENTION RIGHTS ARE RESERVED. IN THE INTEREST OF TECHNOLOGICAL ADVANCEMENT, ALL PRODUCTS ARE SUBJECT TO DESIGN AND OR MATERIAL CHANGE WITHOUT NOTICE. © 2012

NOTES:

Installation

- The Basin is composed of a plastic pipe with a fiberglass bottom and gasketed fiberglass lid. An optional anti-floatation ring may be provided to prevent the basin from floating.
- A 3" to 4" thick concrete base is required for anchoring purposes in areas where floatation of the vault is possible.
- All connections into and out of pumping system shall be sealed and water tight.
- The pumping system must be properly vented.
- All electrical connections shall meet local codes.

Electrical

- Content level control and pump power cords to junction box as shown.
- Make certain all compression fittings are tight.
- Install control panel.
- Run wires to control panel through conduit and connect cords coming into the connection box. Mark or trace each incoming wire so that it can be connected to the proper cord.

Starting System

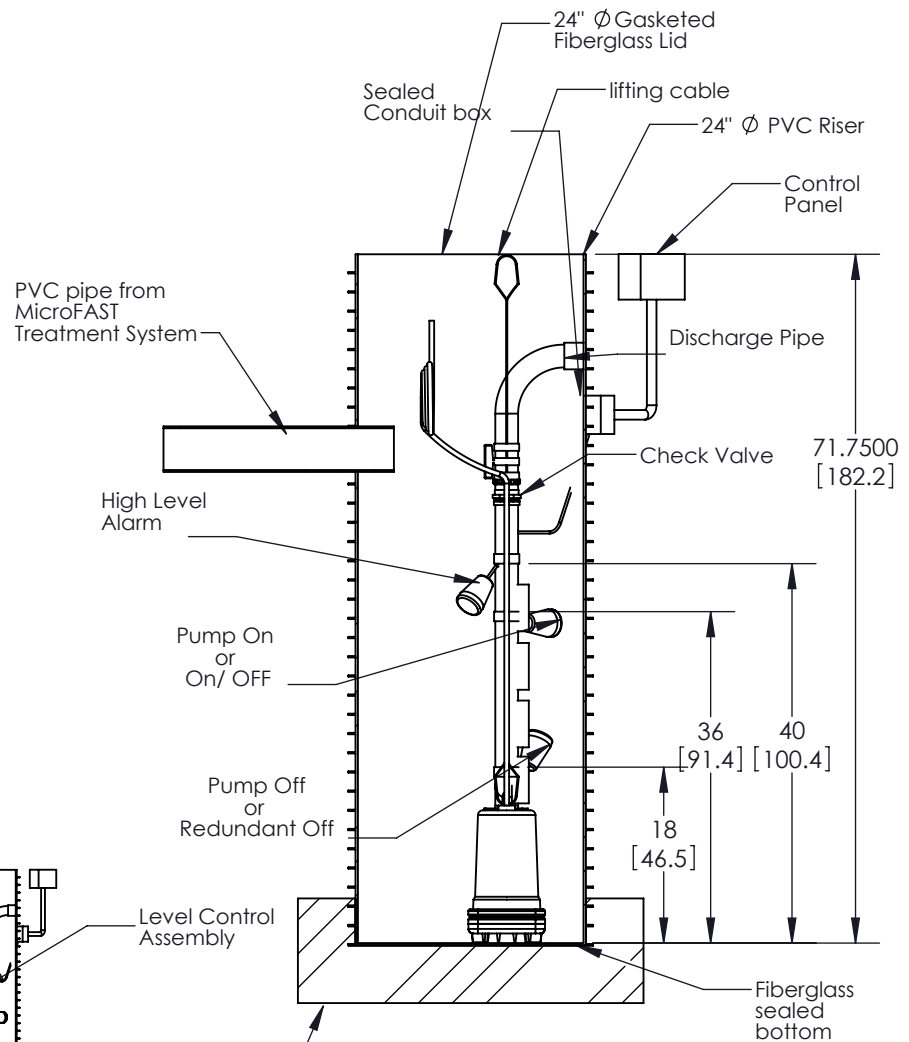
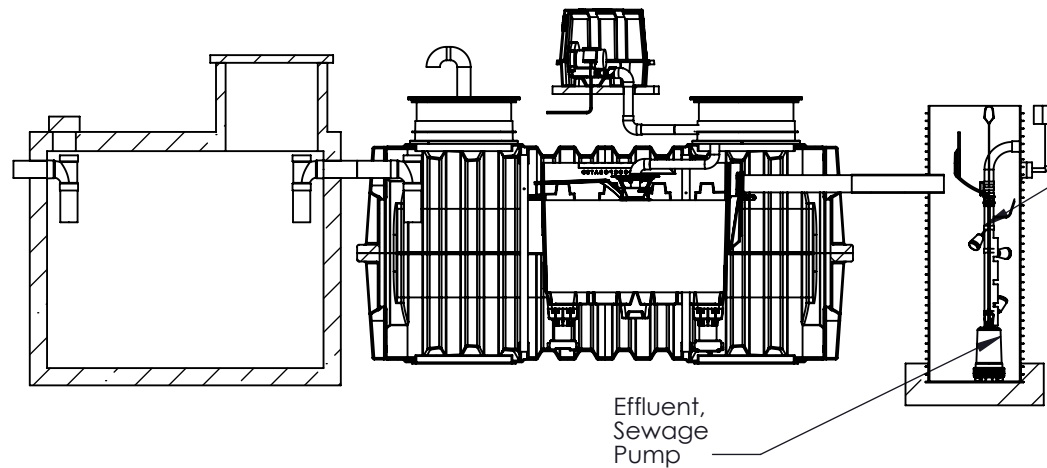
- Open Ball Valve
- Run water into basin until the "On" level control starts the pump. Allow pump to operate until sump level drops, deactivating "Off level control, stopping pump.

Operations

- Draw down on this Pump vault is 1.96 gallons per inch. 18" operational zone between float 18" float and 36" float creates a pump volume of 35.25 gallons per dose.
- Foats can be moved for various desired dose volumes and pumps.

APPROVED

By Oregon DEQ on June 12, 2012



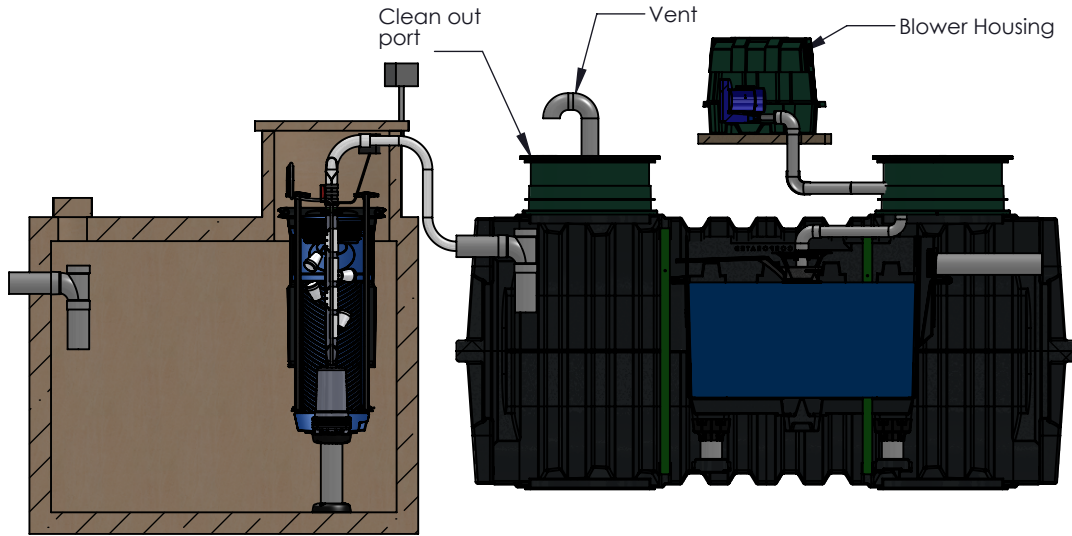
DO NOT SCALE
UNLESS NOTED
DIMENSIONS
ARE IN INCHES
[CENTIMETERS]
TOLERANCES
± 0.02 IN/IN
[± 0.05 CM/CM]



IM1060 0.5 MCF

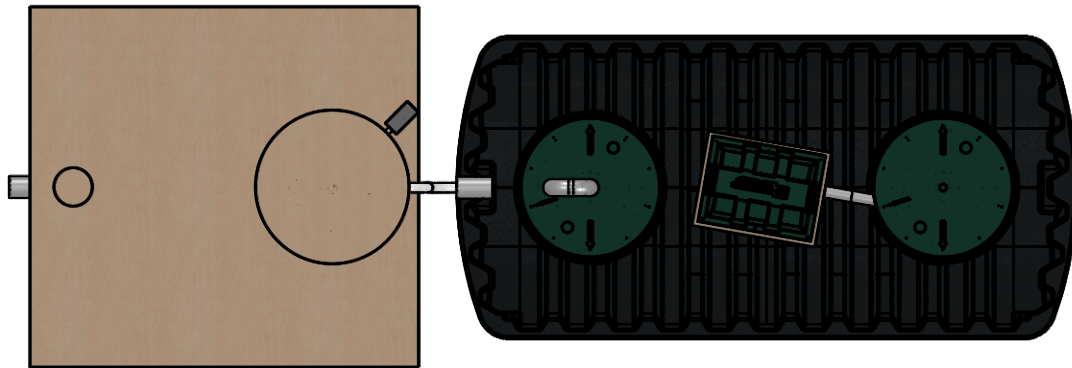
THE INFORMATION CONTAINED IN THIS DRAWING IS THE SOLE PROPERTY OF BIO-MICROBICS INC. ANY REPRODUCTION IN PART OR AS A WHOLE WITHOUT THE WRITTEN PERMISSION OF BIO-MICROBICS INC. IS PROHIBITED. DESIGN AND INVENTION RIGHTS ARE RESERVED. IN THE INTEREST OF TECHNOLOGICAL ADVANCEMENT, ALL PRODUCTS ARE SUBJECT TO DESIGN AND OR MATERIAL CHANGE WITHOUT NOTICE.

WEIGHT		lb	SIZE	DRAWING NUMBER		SHEET 3 OF 3
NAME	DATE	A	Distribution Vault			
DRAWN	CTC 8/11/2009		REVISED 4/17/2012	REV. INI-01-O		
CHECKED	PF 4/17/2012					



Notes:

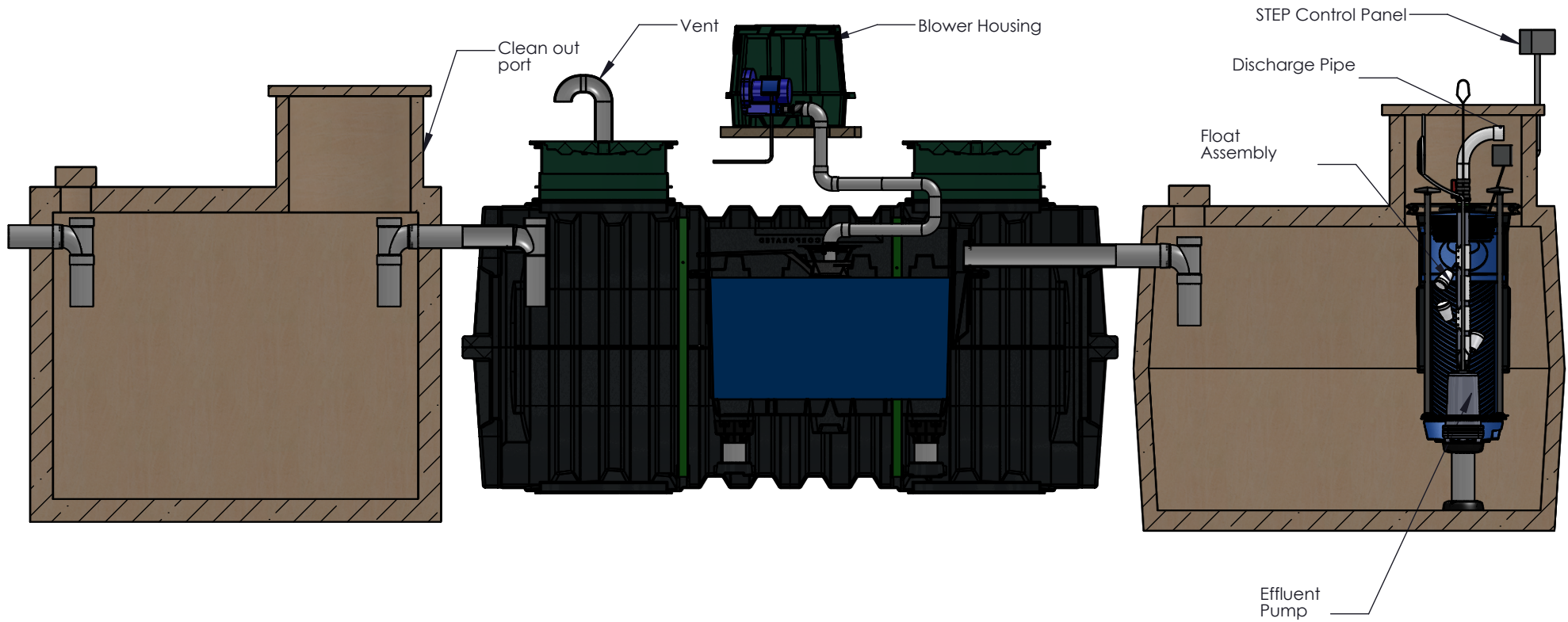
- The cleanout port at the front of the tank will not be interfered with.
- The outlet tee will be removed to allow the FAST® treatment system outlet to be installed properly. See drawing "IM1060 Installation" for detailed tank dimensions.
- All exterior pipe size as per Oregon requirements.
- The volume of the septic and dosing tank will be as required in OAR 340-071.
- All connections into and out of pumping system shall be sealed and water tight.
- The pumping system must be properly vented.
- All electrical connections shall meet local codes. Reference "Short-FAST-Module-Procedure" and MicroFAST drawings for additional information.



APPROVED
By Oregon DEQ on June 12, 2012

DO NOT SCALE UNLESS NOTED DIMENSIONS ARE IN INCHES [CENTIMETERS] TOLERANCES ± 0.02 IN/IN [± 0.05 CM/CM]		BIO-MICROBICS INCORPORATED	
		IM1060 0.75 MCF	
WEIGHT	lb	SIZE	DRAWING NUMBER
		A	Dosing Septic
DRAWN	CTC	8/11/2009	
CHECKED	PF	4/16/2012	REVISED 4/16/2012
			REV. INI-02-C

THE INFORMATION CONTAINED IN THIS DRAWING IS THE SOLE PROPERTY OF BIO-MICROBICS INC. ANY REPRODUCTION IN PART OR AS A WHOLE WITHOUT THE WRITTEN PERMISSION OF BIO-MICROBICS INC. IS PROHIBITED. DESIGN AND INVENTION RIGHTS ARE RESERVED. IN THE INTEREST OF TECHNOLOGICAL ADVANCEMENT, ALL PRODUCTS ARE SUBJECT TO DESIGN AND OR MATERIAL CHANGE WITHOUT NOTICE. BIO-MICROBICS © 2012



APPROVED
 By Oregon DEQ on June 12, 2012

Notes:

- The cleanout port at the front of the tank will not be interfered with.
- The outlet tee will be removed to allow the FAST® treatment system outlet to be installed properly.
- See drawing "IM1060 Installation" for detailed tank dimensions.
- All exterior pipe size as per Oregon requirements.
- The volume of the septic and dosing tank will be as required in OAR 340-071.
- All connections into and out of pumping system shall be sealed and water tight.
- The pumping system must be properly vented.
- All electrical connections shall meet local codes.
- Reference "Short-FAST-Module-Procedure" and MicroFAST drawings for additional information.

DO NOT SCALE
 UNLESS NOTED
 DIMENSIONS
 ARE IN INCHES
 [CENTIMETERS]
 TOLERANCES
 ± 0.02 IN/IN
 [± 0.05 CM/CM]



IM1060 0.75 MCF

WEIGHT	lb	SIZE	DRAWING NUMBER	SHEET 2 OF 3
NAME	DATE	A	Distribution Tank	
DRAWN	CTC 8/11/2009			
CHECKED	PF 4/16/2012		REVISED 4/16/2012 REV. INI-02-C	

THE INFORMATION CONTAINED IN THIS DRAWING IS THE SOLE PROPERTY OF BIO-MICROBICS INC. ANY REPRODUCTION IN PART OR AS A WHOLE WITHOUT THE WRITTEN PERMISSION OF BIO-MICROBICS INC. IS PROHIBITED. DESIGN AND INVENTION RIGHTS ARE RESERVED. IN THE INTEREST OF TECHNOLOGICAL ADVANCEMENT, ALL PRODUCTS ARE SUBJECT TO DESIGN AND OR MATERIAL CHANGE WITHOUT NOTICE. © 2012

NOTES:

Installation

- The Basin is composed of a plastic pipe with a fiberglass bottom and gasketed fiberglass lid. An optional anti-floatation ring may be provided to prevent the basin from floating.
- A 3" to 4" thick concrete base is required for anchoring purposes in areas where floatation of the vault is possible.
- All connections into and out of pumping system shall be sealed and water tight.
- The pumping system must be properly vented.
- All electrical connections shall meet local codes.

Electrical

- Content level control and pump power cords to junction box as shown.
- Make certain all compression fittings are tight.
- Install control panel.
- Run wires to control panel through conduit and connect cords coming into the connection box. Mark or trace each incoming wire so that it can be connected to the proper cord.

Starting System

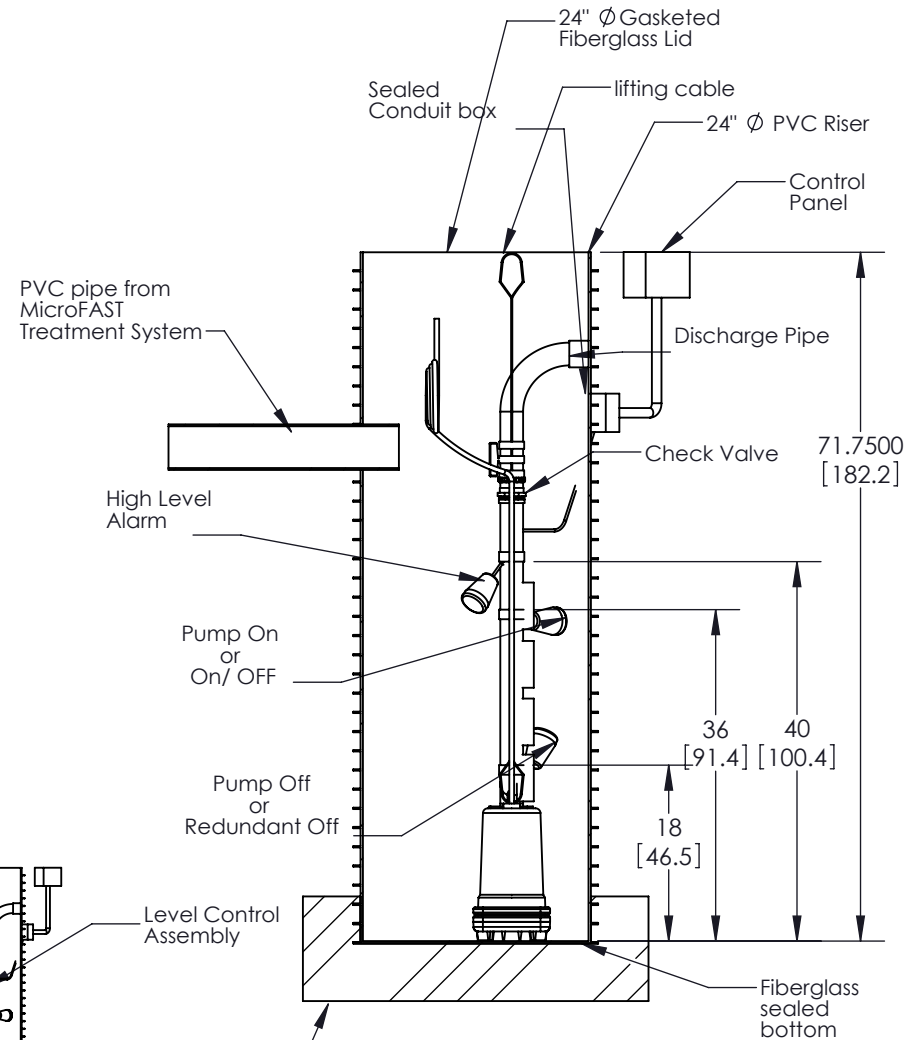
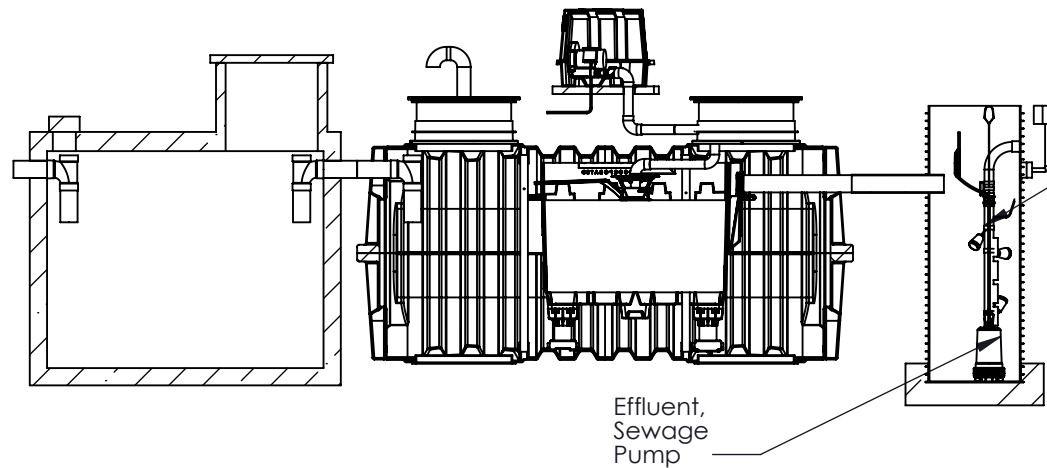
- Open Ball Valve
- Run water into basin until the "On" level control starts the pump. Allow pump to operate until sump level drops, deactivating "Off level control, stopping pump.

Operations

- Draw down on this Pump vault is 1.96 gallons per inch. 18" operational zone between float 18" float and 36" float creates a pump volume of 35.25 gallons per dose.
- Foats can be moved for various desired dose volumes and pumps.

APPROVED

By Oregon DEQ on June 12, 2012



DO NOT SCALE
UNLESS NOTED DIMENSIONS ARE IN INCHES [CENTIMETERS] TOLERANCES ± 0.02 IN/IN [± 0.05 CM/CM]



IM1060 0.75 MCF

WEIGHT	lb	SIZE	DRAWING NUMBER	SHEET 3 OF 3
NAME	DATE	A	Distribution Vault	
DRAWN	CTC 8/11/2009			
CHECKED	PF 4/16/2012	REVISED	4/16/2012	REV. INI-01-O