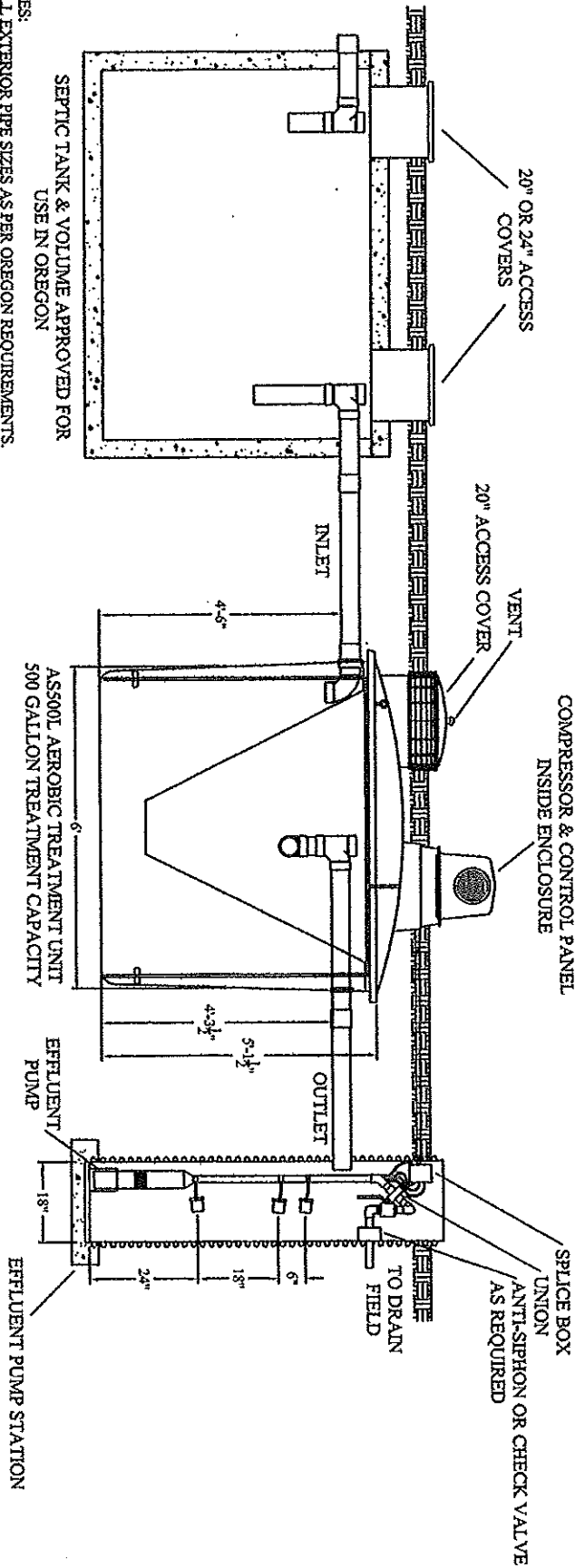
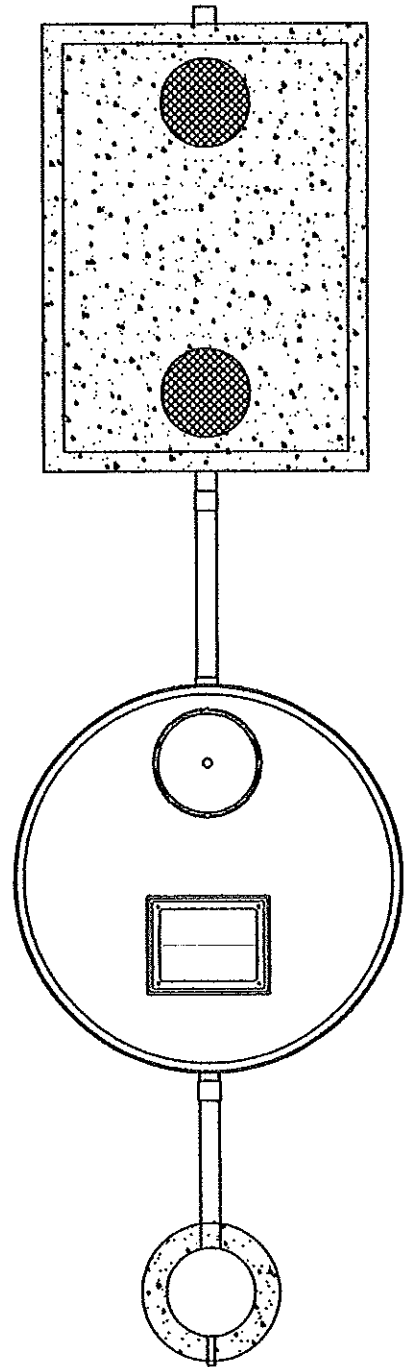


APPROVED

By Randy Trox at 8:36 am, May 26, 2010



- NOTES:
1. ALL EXTERIOR PIPE SIZES AS PER OREGON REQUIREMENTS.
 2. THE VOLUME OF THE SEPTIC TANK WILL BE AS REQUIRED IN OAR 340-071.
 3. DRAWDOWN LEVEL IN 18" PUMP CHAMBER = 1.10 GAL/INCH EIGHTEEN (18) INCHES = 19.8 GALLONS.
 4. AS AN OPTION THE COMPRESSOR, CONTROL PANEL, AND ENCLOSURE CAN BE MOUNTED REMOTELY PROVIDED THEY ARE WITHIN 100' OF THE TREATMENT UNIT.

ECOLOGICAL TANKS, INC

2477 HWY 151 NORTH
DOWNSVILLE, LA 71234

ETI 500 GPD UNIT W/ OREGON APPROVED SEPTIC TANK & HIGH HEAD PUMP STATION

NO PART OF THIS DOCUMENT MAY BE REPRODUCED, STORED IN ANY RETRIEVAL SYSTEM, OR TRANSMITTED IN ANY FORM OR BY ANY MEANS, ELECTRONIC, MECHANICAL, PHOTOCOPYING, RECORDING OR OTHERWISE WITHOUT THE PRIOR WRITTEN PERMISSION OF ECOLOGICAL TANKS, INC.

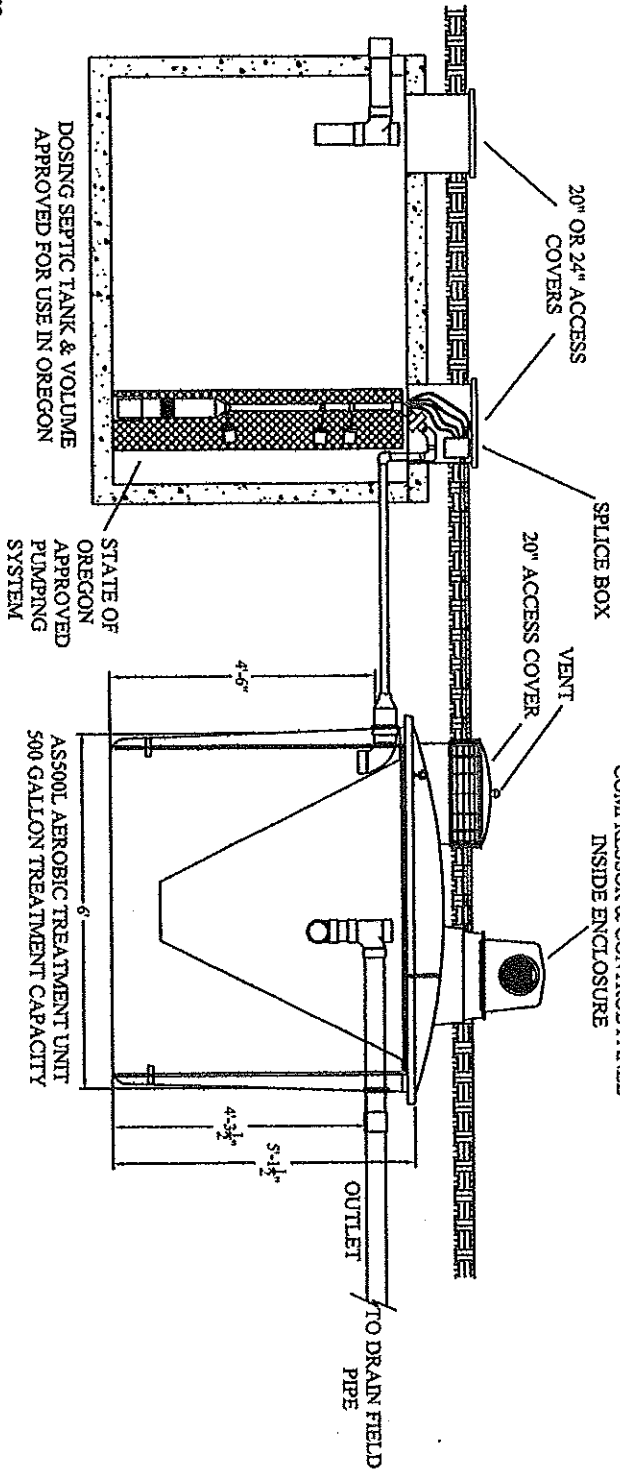
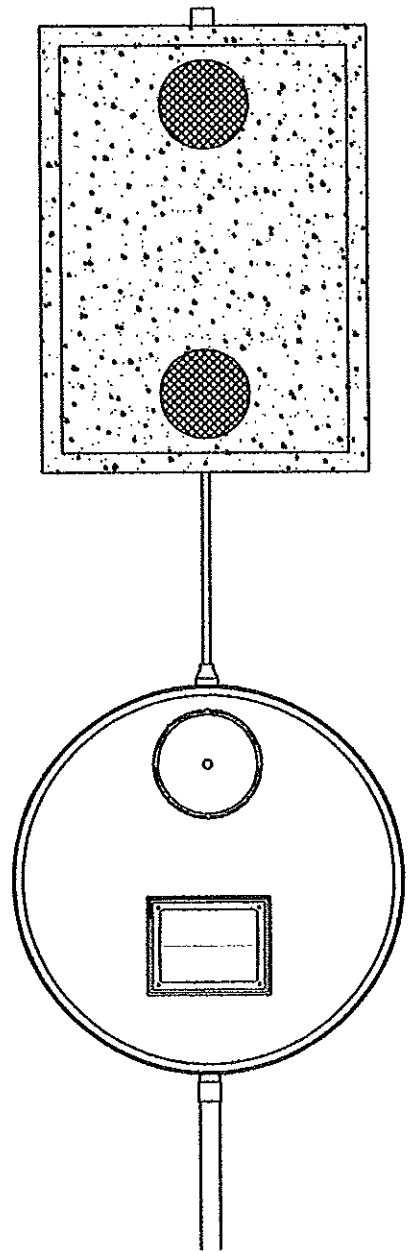
SCALE:
NTS

DATE
10/19/09

DRAWING NO.
AS500L-1

APPROVED

By Randy Trox at 8:37 am, May 26, 2010



- NOTES:
1. ALL EXTERIOR PIPE SIZES AS PER OREGON REQUIREMENTS.
 2. THE VOLUME OF THE SEPTIC TANK WILL BE AS REQUIRED IN OAR 340-071.
 3. AS AN OPTION, THE COMPRESSOR, CONTROL PANEL, AND ENCLOSURE CAN BE MOUNTED REMOTELY PROVIDED THEY ARE WITHIN 100' OF THE TREATMENT UNIT.

ECOLOGICAL TANKS, INC

2477 HWY 151 NORTH
DOWNSVILLE, LA 71234

ETI 500 GPD UNIT W/ OREGON APPROVED DOSING SEPTIC TANK

NO PART OF THIS DOCUMENT MAY BE REPRODUCED, STORED IN ANY RETRIEVAL SYSTEM, OR TRANSMITTED IN ANY FORM OR BY ANY MEANS, ELECTRONIC, MECHANICAL, PHOTOCOPYING, RECORDING OR OTHERWISE WITHOUT THE PRIOR WRITTEN PERMISSION OF ECOLOGICAL TANKS, INC.

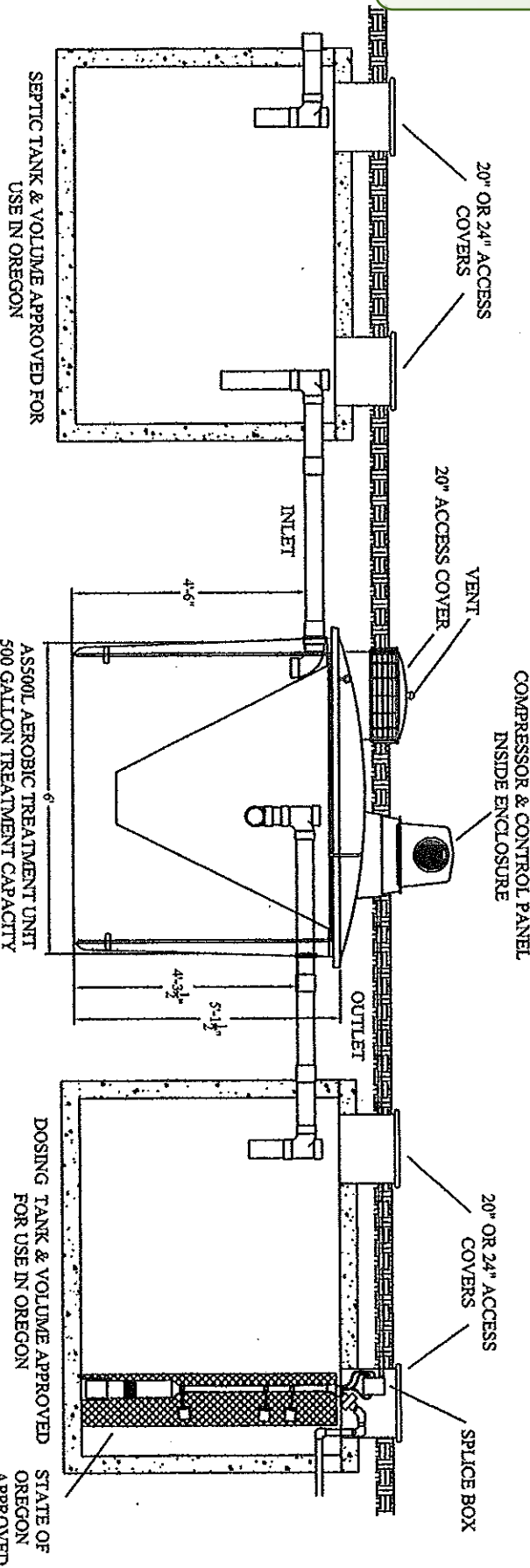
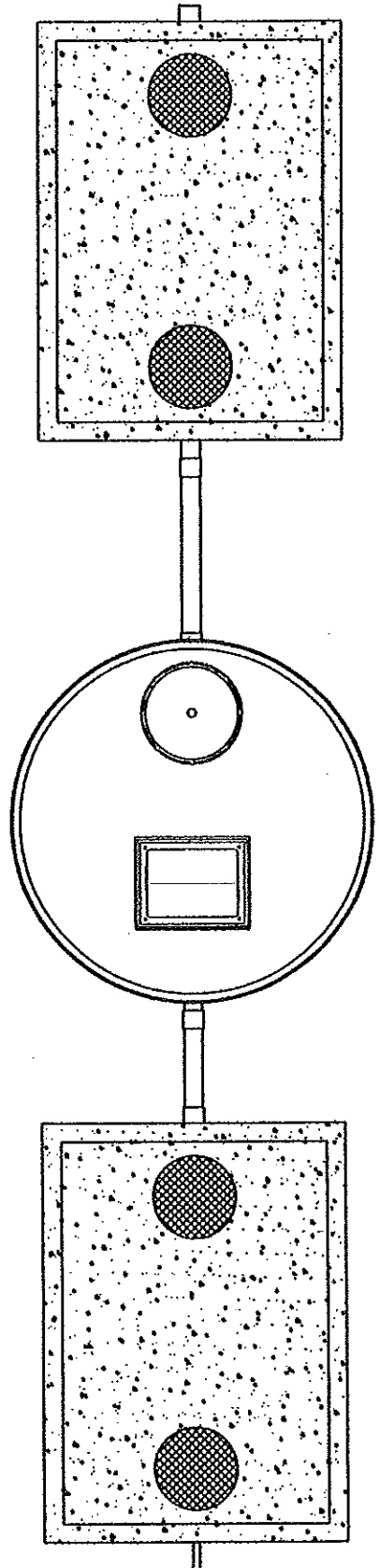
SCALE:
NTS

DATE
10/19/09

DRAWING NO.
ASS500L-2

APPROVED

By Randy Trox at 8:38 am, May 26, 2010



- NOTES:
1. ALL EXTERIOR PIPE SIZES AS PER OREGON REQUIREMENTS.
 2. THE VOLUME OF THE SEPTIC TANK WILL BE AS REQUIRED IN OAR 340-071.
 3. THE VOLUME OF THE DOSING TANK WILL BE AS REQUIRED IN OAR 340-071.
 4. AS AN OPTION, THE COMPRESSOR, CONTROL PANEL, AND ENCLOSURE CAN BE MOUNTED REMOTELY PROVIDED THEY ARE WITHIN 100' OF THE TREATMENT UNIT.

ECOLOGICAL TANKS, INC

2477 HWY 151 NORTH
DOWNSVILLE, LA 71234

ET1 500 GPD UNIT W/ OREGON APPROVED SEPTIC TANK & DOSING TANK

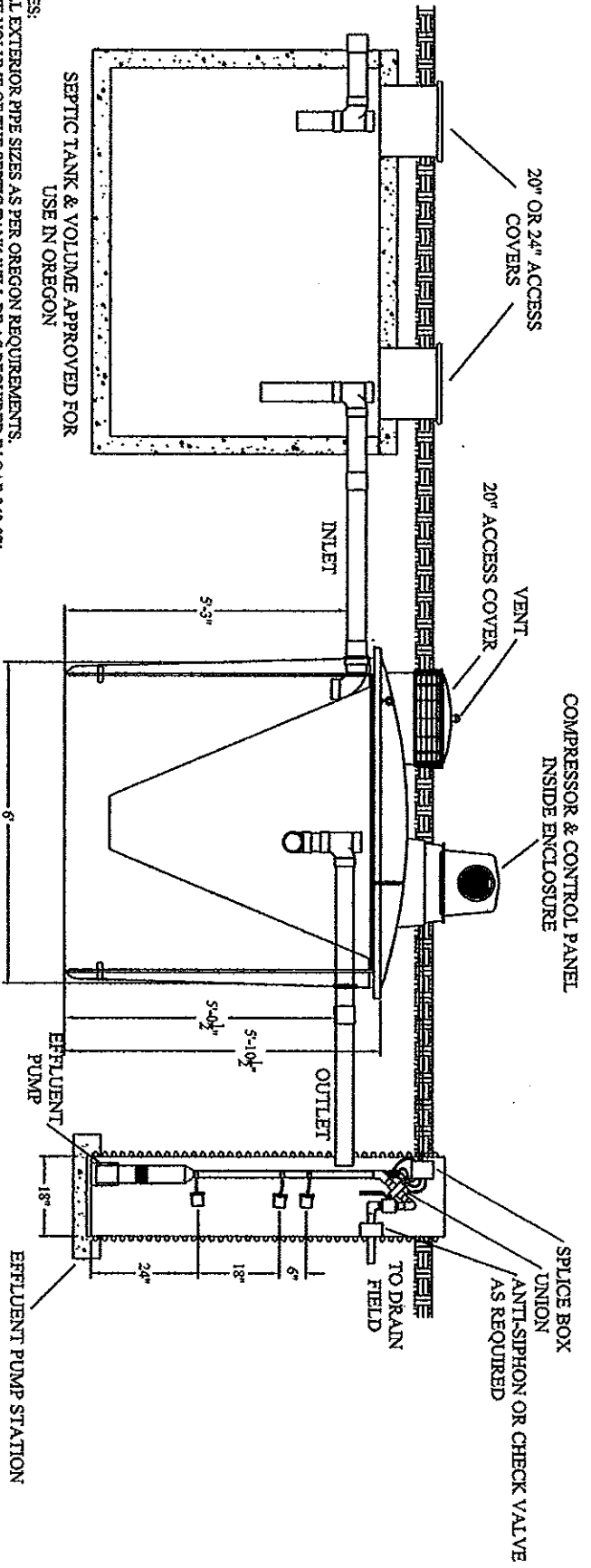
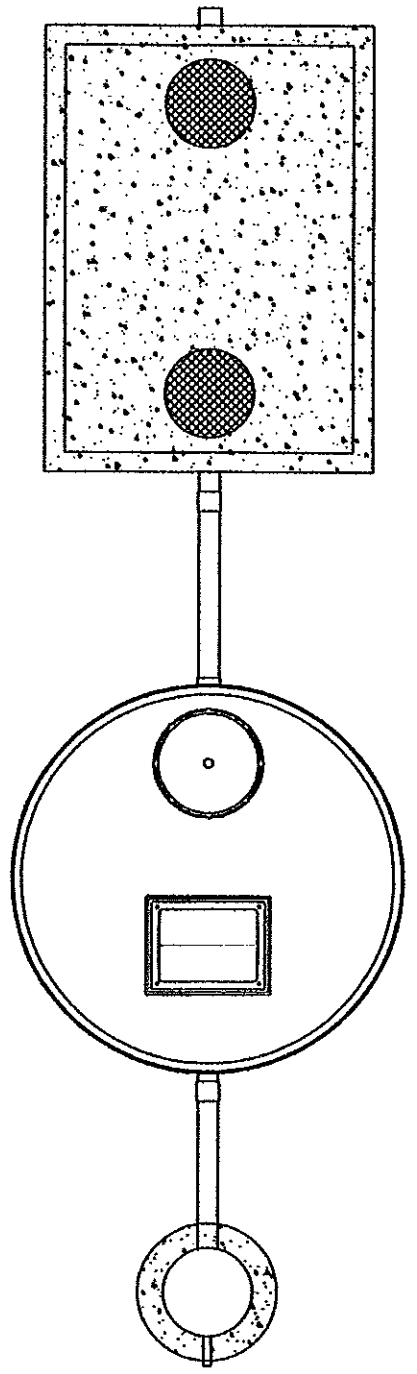
NO PART OF THIS DOCUMENT MAY BE REPRODUCED, STORED IN ANY RETRIEVAL SYSTEM, OR TRANSMITTED IN ANY FORM OR BY ANY MEANS, ELECTRONIC, MECHANICAL, PHOTOCOPYING, RECORDING OR OTHERWISE WITHOUT THE PRIOR WRITTEN PERMISSION OF ECOLOGICAL TANKS, INC.

SCALE: NTS
DATE: 10/19/09

DRAWING NO. AS500L-3

APPROVED

By Randy Trox at 8:38 am, May 26, 2010



- NOTES:
1. ALL EXTERIOR PIPE SIZES AS PER OREGON REQUIREMENTS.
 2. THE VOLUME OF THE SEPTIC TANK WILL BE AS REQUIRED IN OAR 340-071.
 3. DEAWDOWN LEVEL IN 18" PUMP CHAMBER = 1.10 GAL/INCH. EIGHTEEN (18) INCHES = 19.8 GALLONS.
 4. AS AN OPTION, THE COMPRESSOR, CONTROL PANEL, AND ENCLOSURE CAN BE MOUNTED REMOTELY PROVIDED THEY ARE WITHIN 100' OF THE TREATMENT UNIT.

SEPTIC TANK & VOLUME APPROVED FOR USE IN OREGON

AS600L AEROBIC TREATMENT UNIT
600 GALLON TREATMENT CAPACITY

ECOLOGICAL TANKS, INC

2477 HWY 151 NORTH
DOWNSVILLE, LA 71234

ETI 600 GPD UNIT W/ OREGON APPROVED SEPTIC TANK & HIGH HEAD PUMP STATION

NO PART OF THIS DOCUMENT MAY BE REPRODUCED, STORED IN ANY RETRIEVAL SYSTEM, OR TRANSMITTED IN ANY FORM OR BY ANY MEANS, ELECTRONIC, MECHANICAL, PHOTOCOPYING, RECORDING OR OTHERWISE WITHOUT THE PRIOR WRITTEN PERMISSION OF ECOLOGICAL TANKS, INC.

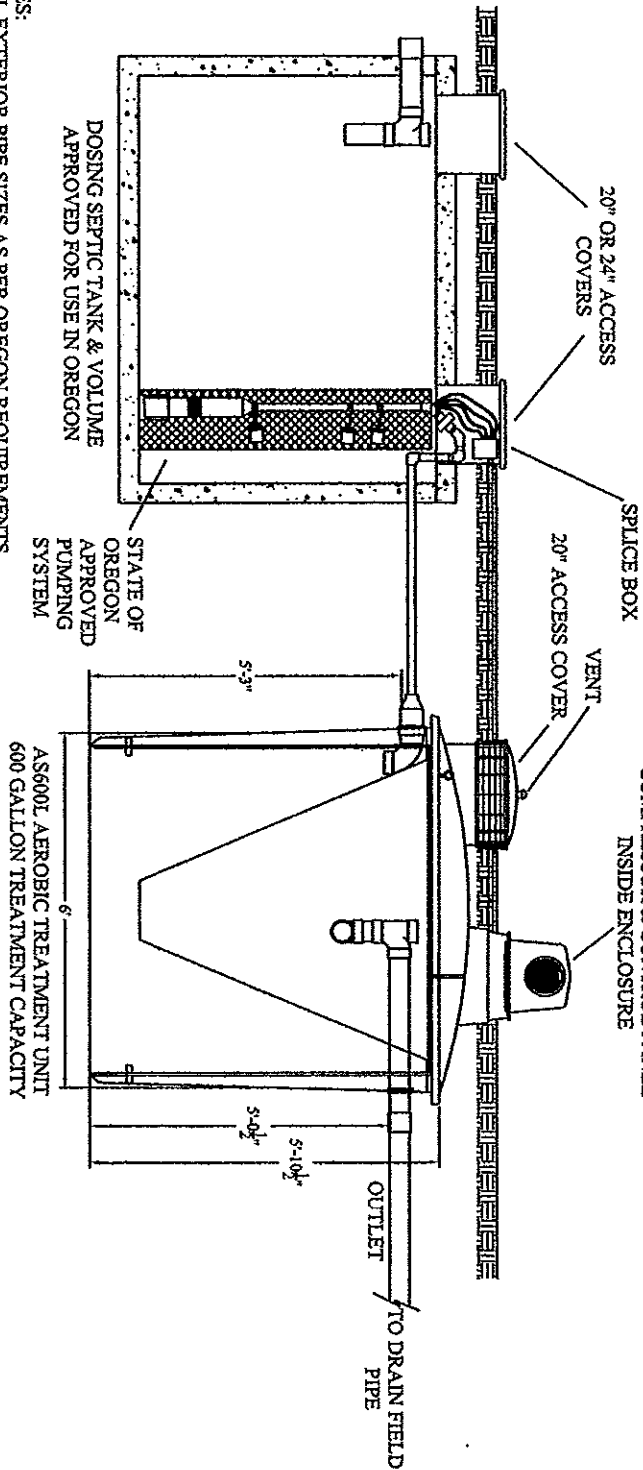
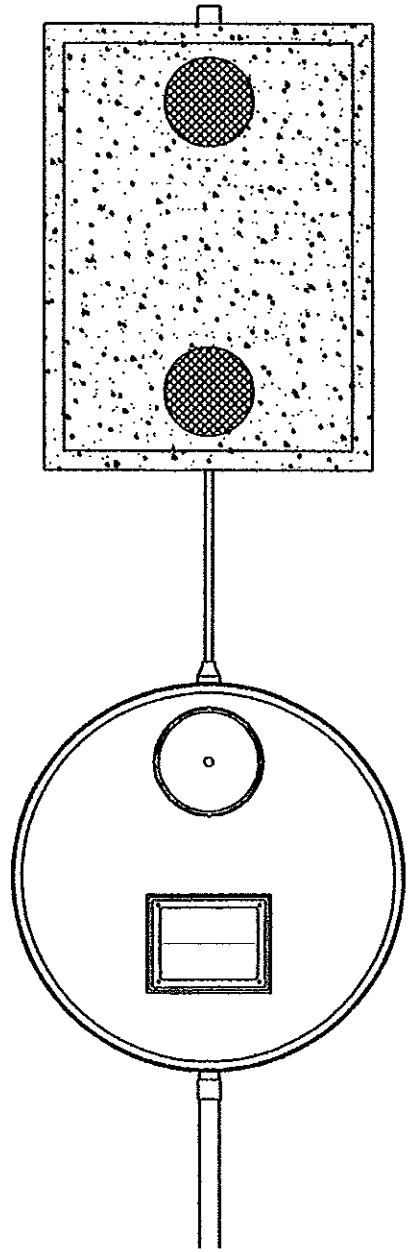
SCALE:
NTS

DATE
10/19/09

DRAWING NO.
AS 600L-1

APPROVED

By Randy Trox at 8:38 am, May 26, 2010



- NOTES:
1. ALL EXTERIOR PIPE SIZES AS PER OREGON REQUIREMENTS.
 2. THE VOLUME OF THE SEPTIC TANK WILL BE AS REQUIRED IN OAR 340-071.
 3. AS AN OPTION, THE COMPRESSOR, CONTROL PANEL, AND ENCLOSURE CAN BE MOUNTED REMOTELY PROVIDED THEY ARE WITHIN 100' OF THE TREATMENT UNIT.

ECOLOGICAL TANKS, INC

2477 HWY 151 NORTH
DOWNSVILLE, LA 71234

ET1 600 GPD UNIT W/ OREGON APPROVED DOSING SEPTIC TANK

NO PART OF THIS DOCUMENT MAY BE REPRODUCED, STORED IN ANY RETRIEVAL SYSTEM, OR TRANSMITTED IN ANY FORM OR BY ANY MEANS, ELECTRONIC, MECHANICAL, PHOTOCOPYING, RECORDING OR OTHERWISE WITHOUT THE PRIOR WRITTEN PERMISSION OF ECOLOGICAL TANKS, INC.

SCALE:
NTS

DATE
10/19/09

DRAWING NO.
AS600L-2

APPROVED

By Randy Trox at 8:39 am, May 26, 2010

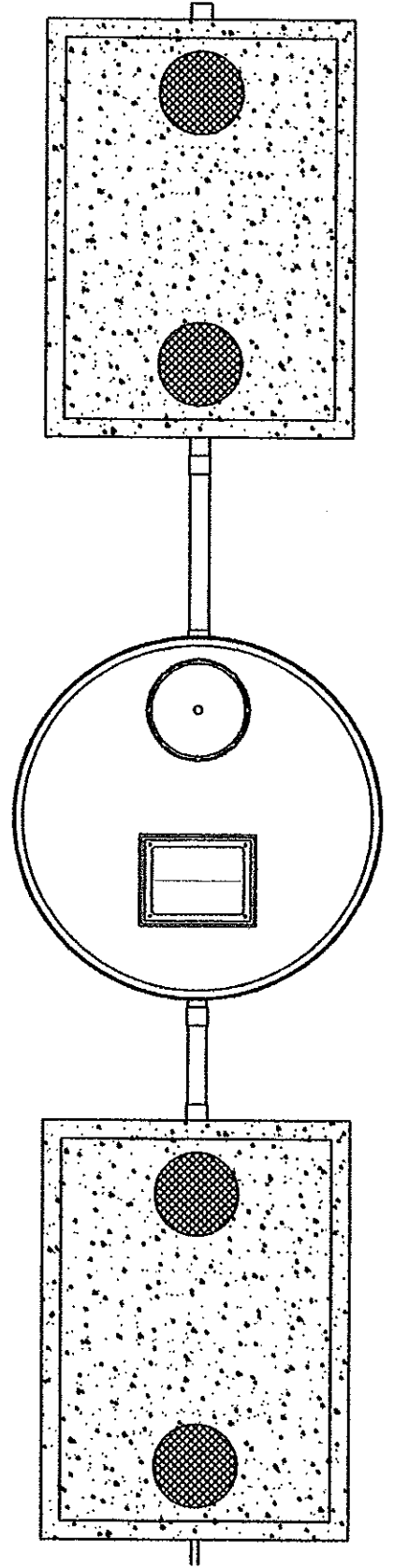
- NOTES:
1. ALL EXTERIOR PIPE SIZES AS PER OREGON REQUIREMENTS.
 2. THE VOLUME OF THE SEPTIC TANK WILL BE AS REQUIRED IN OAR 340-071.
 3. THE VOLUME OF THE DOSING TANK WILL BE AS REQUIRED IN OAR 340-071.
 4. AS AN OPTION, THE COMPRESSOR, CONTROL PANEL, AND ENCLOSURE CAN BE MOUNTED REMOTELY PROVIDED THEY ARE WITHIN 100' OF THE TREATMENT UNIT.

SEPTIC TANK & VOLUME APPROVED FOR USE IN OREGON

ASS600L AEROBIC TREATMENT UNIT
600 GALLON TREATMENT CAPACITY

DOSING TANK & VOLUME APPROVED FOR USE IN OREGON

STATE OF OREGON APPROVED PUMPING SYSTEM



ECOLOGICAL TANKS, INC

2477 HWY 151 NORTH
DOWNSVILLE, LA 71234

ETI 600 GPD UNIT W/ OREGON APPROVED SEPTIC TANK & DOSING TANK

NO PART OF THIS DOCUMENT MAY BE REPRODUCED, STORED IN ANY RETRIEVAL SYSTEM, OR TRANSMITTED IN ANY FORM OR BY ANY MEANS, ELECTRONIC, MECHANICAL, PHOTOCOPYING, RECORDING OR OTHERWISE WITHOUT THE PRIOR WRITTEN PERMISSION OF ECOLOGICAL TANKS, INC.

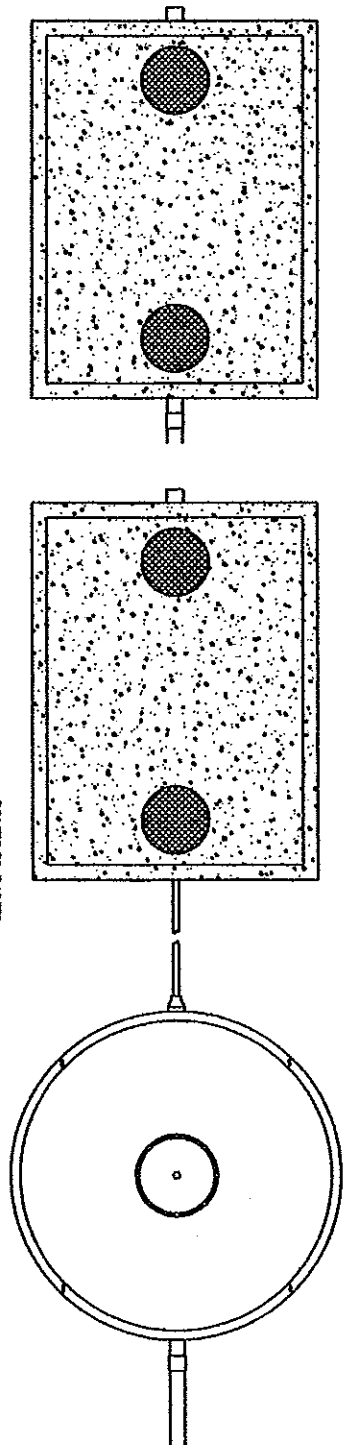
SCALE:
NTS

DATE
10/19/09

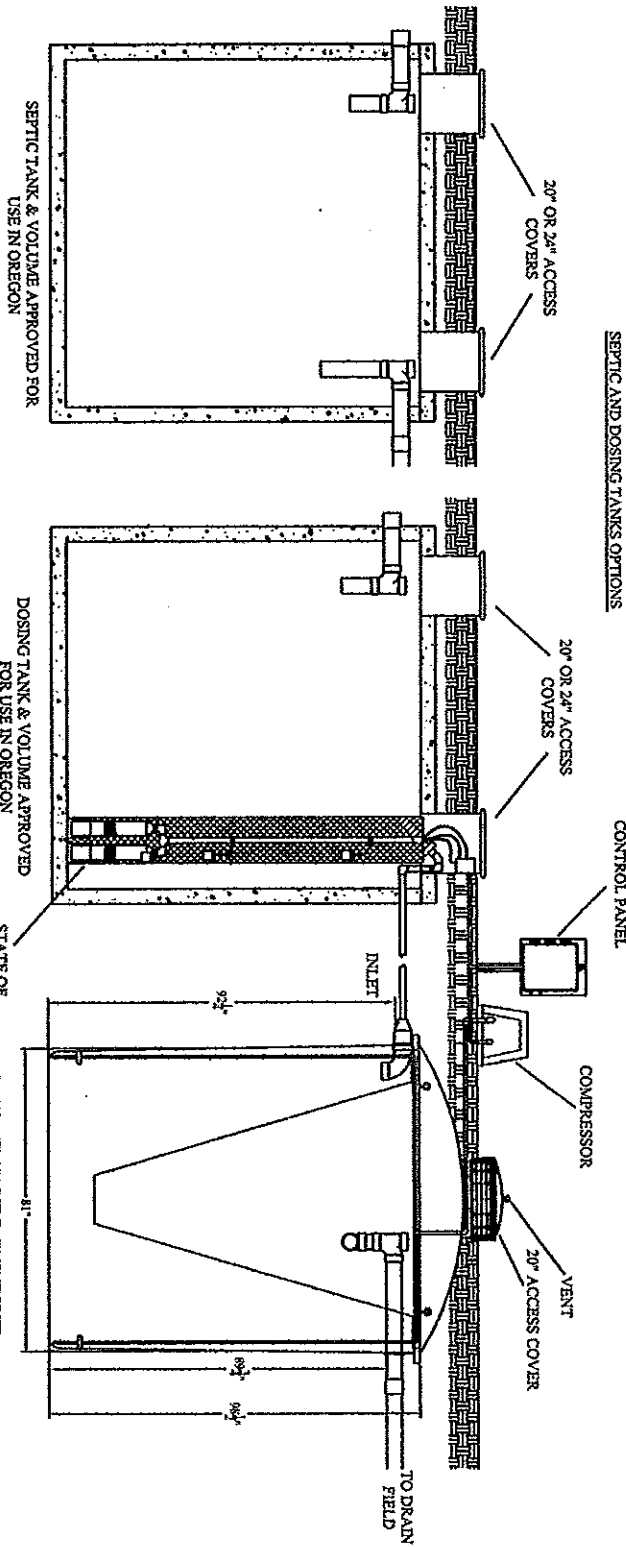
DRAWING NO.
AS600L-3

APPROVED

By Randy Trox at 8:39 am, May 26, 2010



SEPTIC AND DOSING TANKS OPTIONS



- NOTES:
1. ALL EXTERIOR PIPE SIZES AS PER OREGON REQUIREMENTS.
 2. THE VOLUME OF THE SEPTIC TANK WILL BE AS REQUIRED IN OAR 340-071.
 3. COMPRESSOR AND CONTROL PANEL MUST BE MOUNTED WITHIN 100' OF THE TREATMENT UNIT.

ECOLOGICAL TANKS, INC

2477 HWY 151 NORTH
DOWNSVILLE, LA 71234

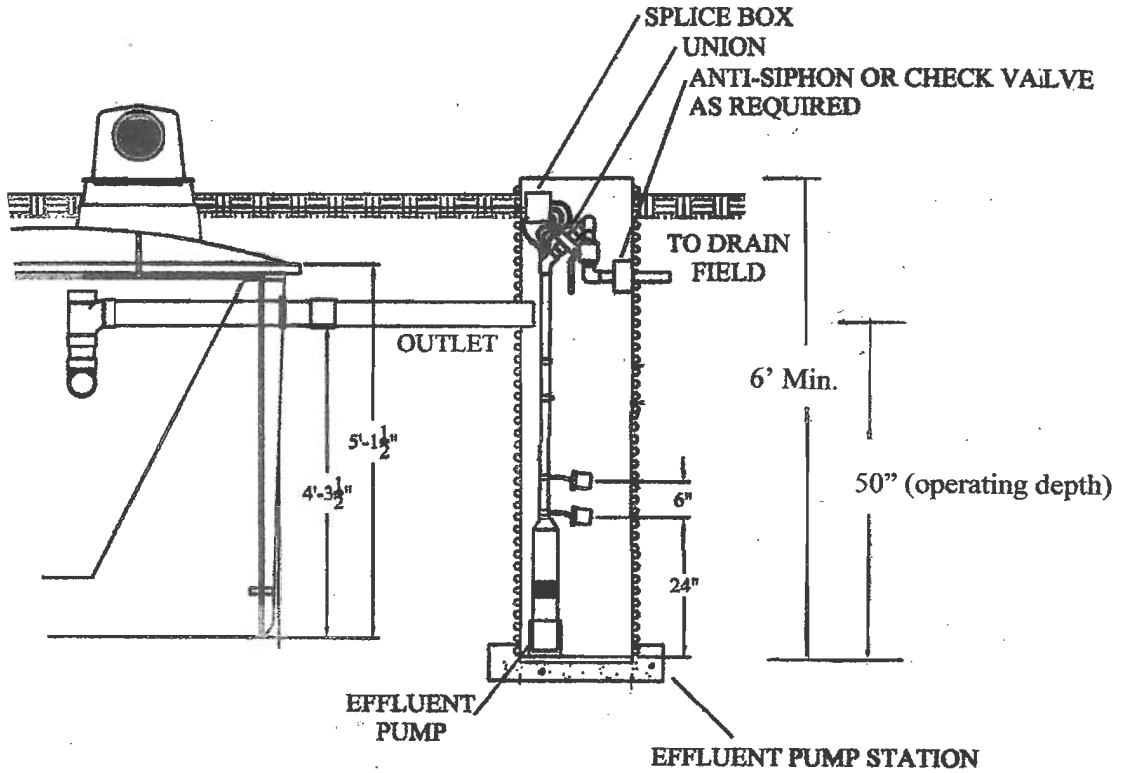
ETI 1100 GPD UNIT W/ OREGON APPROVED PRECEDING SEPTIC & DOSING TANKS

NO PART OF THIS DOCUMENT MAY BE REPRODUCED, STORED IN ANY RETRIEVAL SYSTEM, OR TRANSMITTED IN ANY FORM OR BY ANY MEANS, ELECTRONIC, MECHANICAL, PHOTOCOPIING, RECORDING OR OTHERWISE WITHOUT THE PRIOR WRITTEN PERMISSION OF ECOLOGICAL TANKS, INC.

SCALE: NTS
DATE: 10/19/09

DRAWING NO. AS1100L-1

Specifications for Aqua Safe® Small Diameter Pump Vault (2 float design)



Pump Down Volumes

18" Diameter

1.1 gallon/inch

24" Diameter

2.0 gallon/inch

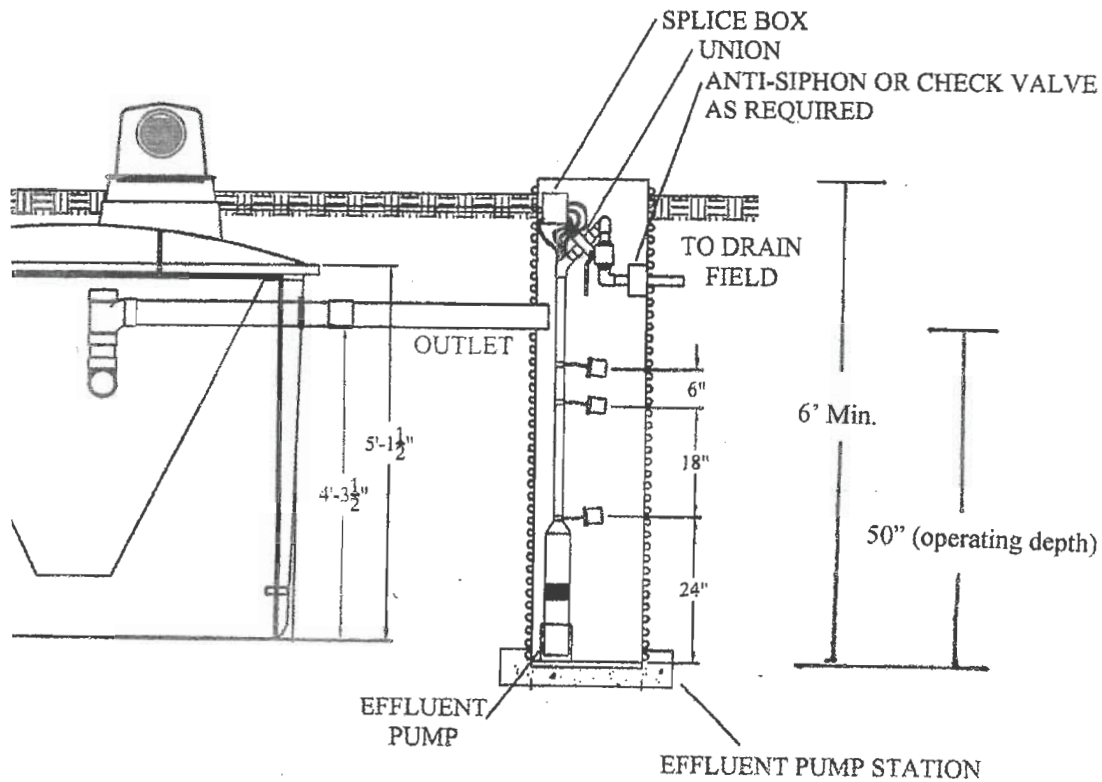
30" Diameter

3.1 gallon/inch

36" Diameter

4.4 gallon/inch

Specifications for Aqua Safe® Small Diameter Pump Vault (3 float design)



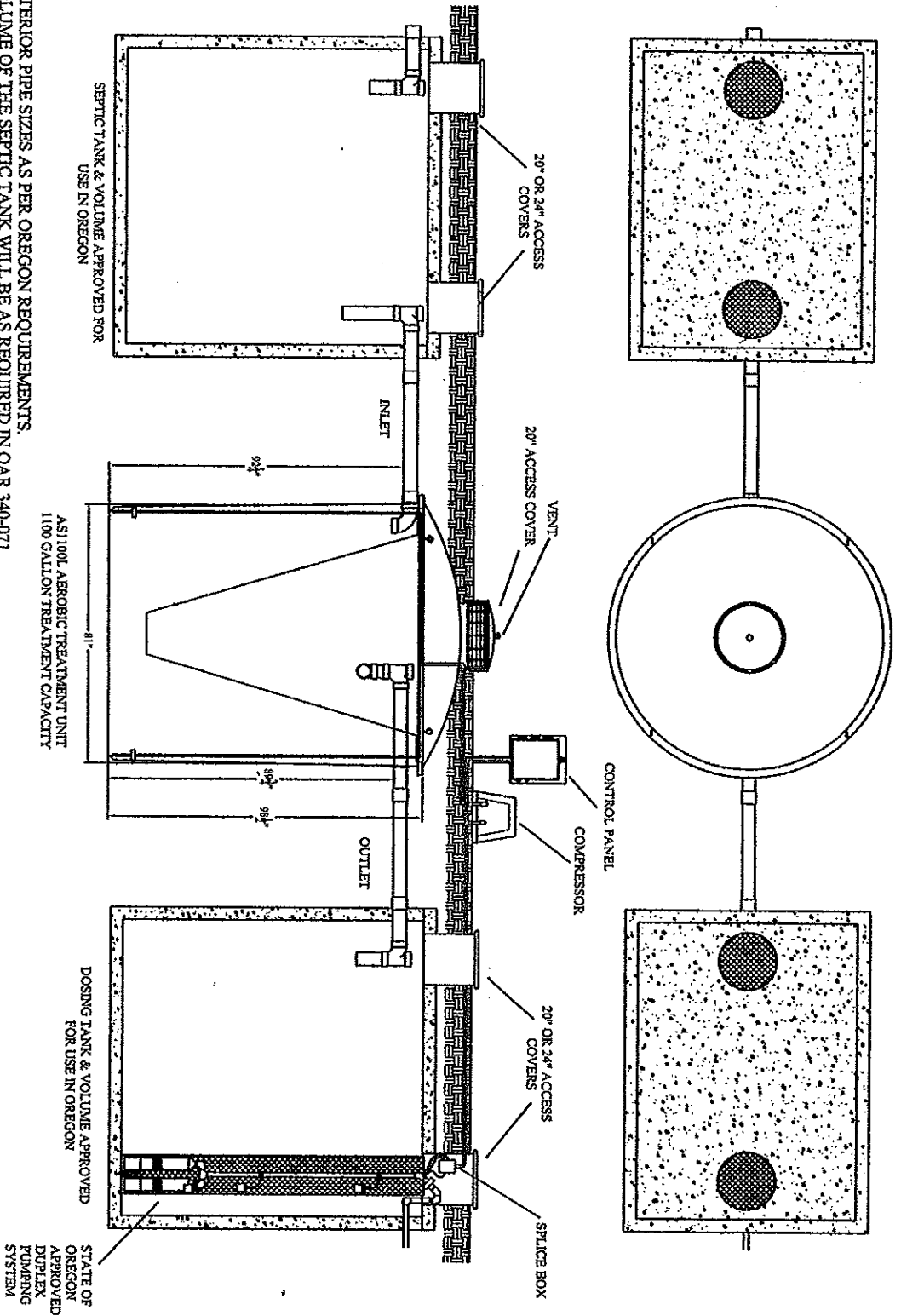
Pump Down Volumes

<u>18" Diameter</u>	<u>24" Diameter</u>	<u>30" Diameter</u>	<u>36" Diameter</u>
1.1 gallon/inch	2.0 gallon/inch	3.1 gallon/inch	4.4 gallon/inch

APPROVED

By Randy Trox at 8:39 am, May 26, 2010

- NOTES:
1. ALL EXTERIOR PIPE SIZES AS PER OREGON REQUIREMENTS.
 2. THE VOLUME OF THE SEPTIC TANK WILL BE AS REQUIRED IN OAR 340-071.
 3. THE VOLUME OF THE DOSING TANK WILL BE AS REQUIRED IN OAR 340-071.
 4. COMPRESSOR AND CONTROL PANEL MUST BE MOUNTED WITHIN 100' OF THE TREATMENT UNIT.



ECOLOGICAL TANKS, INC

2477 HWY 151 NORTH
DOWNSVILLE, LA 71234

ETI 1100 GPD UNIT W/ OREGON APPROVED SEPTIC TANK & DUPLEX HIGH HEAD PUMP STATION

NO PART OF THIS DOCUMENT MAY BE REPRODUCED, STORED IN ANY RETRIEVAL SYSTEM OR TRANSMITTED IN ANY FORM OR BY ANY MEANS, ELECTRONIC OR MECHANICAL, PHOTOCOPYING, RECORDING OR OTHERWISE WITHOUT THE PRIOR WRITTEN PERMISSION OF ECOLOGICAL TANKS, INC.

SCALE: NTS

DATE 10/19/09

DRAWING NO. AS1100L-2