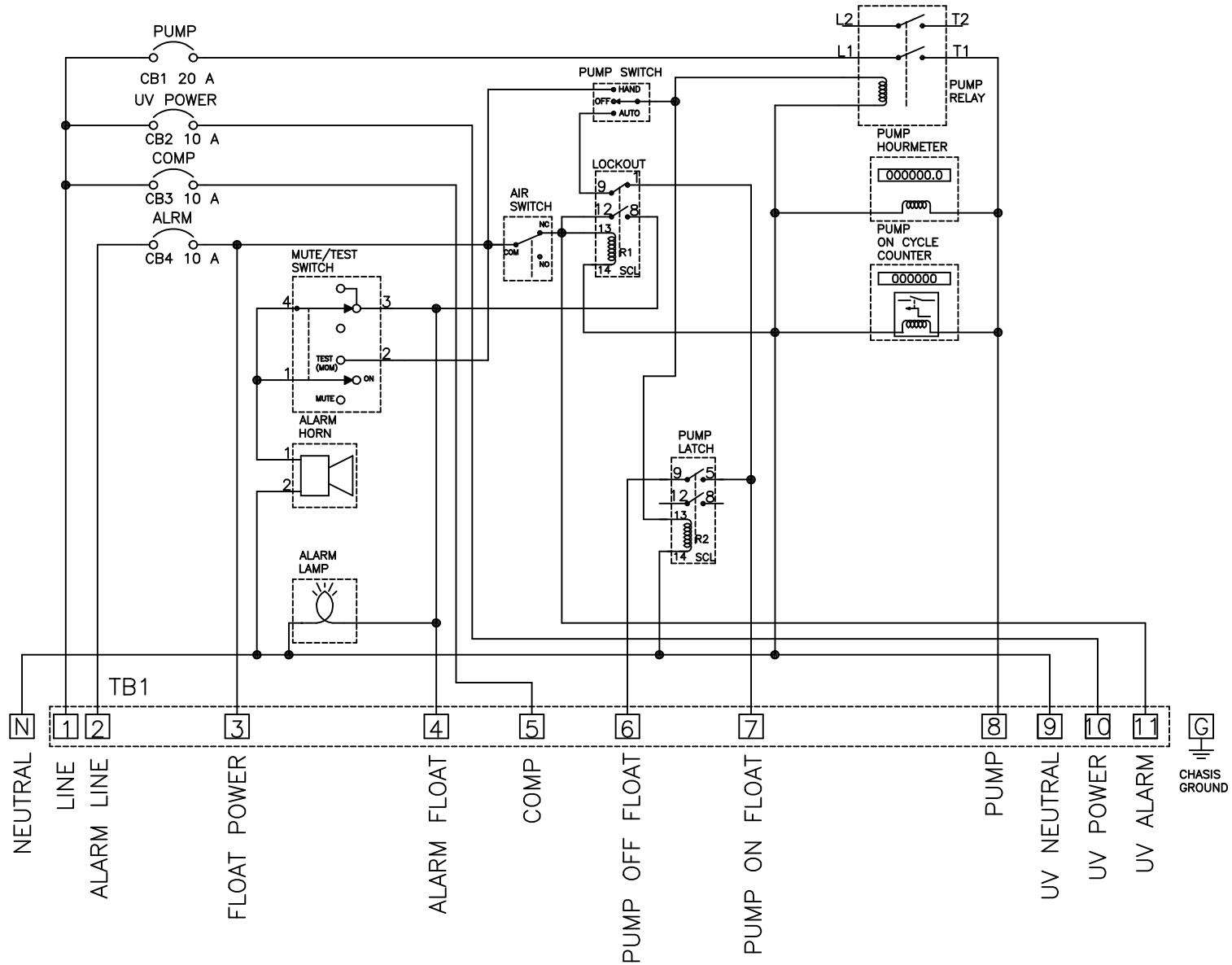
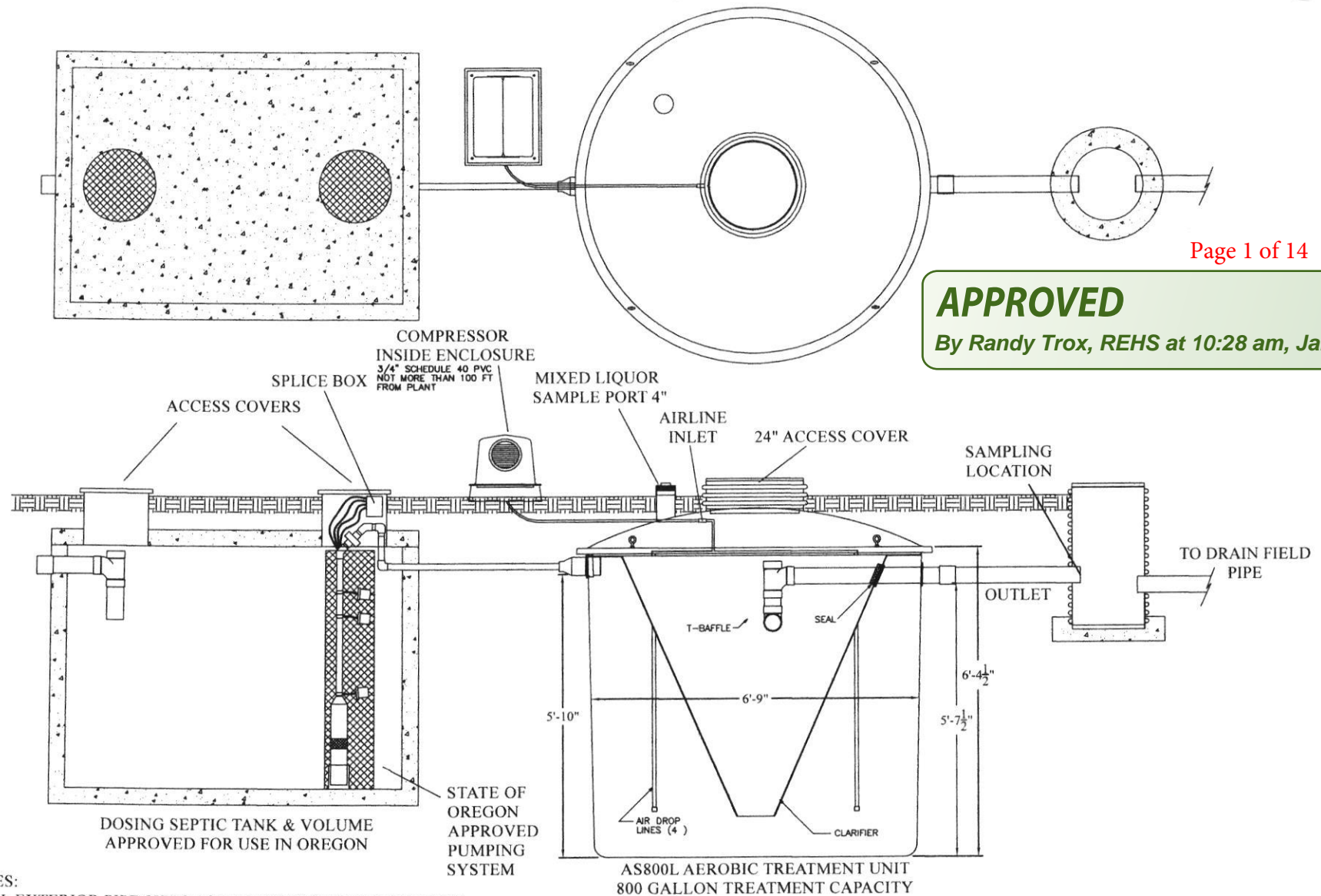


**MODEL 202FS-SA 120VAC, DEMAND SIMPLEX, PUMP  
MONITORING AND LOCKOUT, SEPERATE ALARM INPUT,  
SCHEMATIC**



All information contained on this page is proprietary to Ecological Tanks, Inc. and no part of this information may be reproduced, stored in a retrieval system or transmitted in any form or by any means, electrical, mechanical, photocopying, recording or otherwise without the prior written permission of Ecological Tanks, Inc.

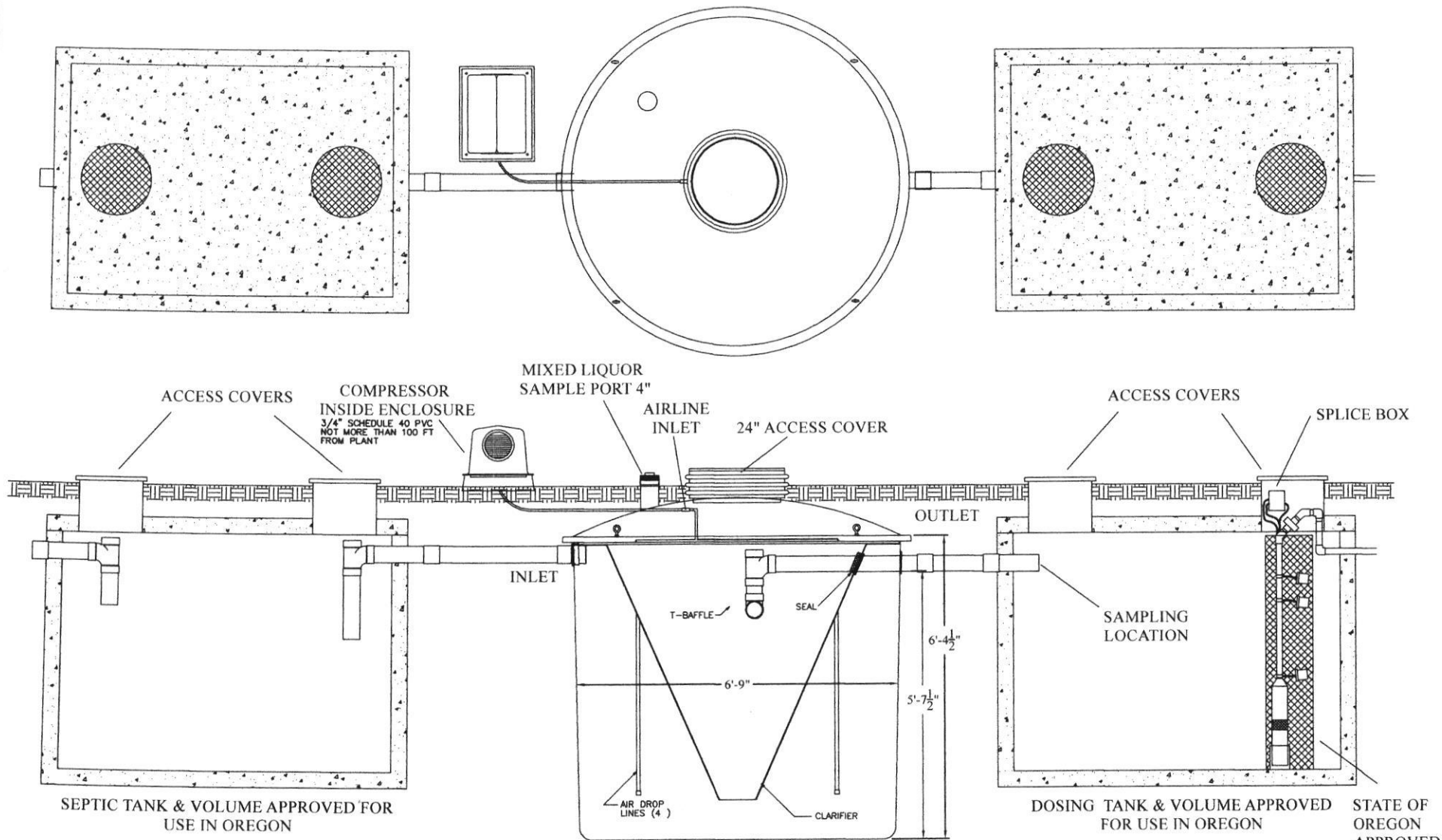
**APPROVED**  
 By Randy Trox, REHS at 10:28 am, Jan 07, 2021



**NOTES:**

1. ALL EXTERIOR PIPE SIZES AS PER OREGON REQUIREMENTS.
2. THE VOLUME OF THE SEPTIC TANK WILL BE AS REQUIRED IN OAR 340-071.
3. AS AN OPTION, THE COMPRESSOR, CONTROL PANEL, AND ENCLOSURE CAN BE MOUNTED REMOTELY PROVIDED THEY ARE WITHIN 100' OF THE TREATMENT UNIT.

<b>ECOLOGICAL TANKS, INC</b> 2477 HWY 151 NORTH DOWNSVILLE, LA 71234	<b>ETI 800 GPD UNIT W/ OREGON APPROVED DOSING SEPTIC TANK</b>		
	NO PART OF THIS DOCUMENT MAY BE REPRODUCED, STORED IN ANY RETRIEVAL SYSTEM, OR TRANSMITTED IN ANY FORM OR BY ANY MEANS, ELECTRONIC, MECHANICAL, PHOTOCOPYING, RECORDING OR OTHERWISE WITHOUT THE PRIOR WRITTEN PERMISSION OF ECOLOGICAL TANKS, INC.	SCALE: NTS	DATE 7/14/20



**NOTES:**

1. ALL EXTERIOR PIPE SIZES AS PER OREGON REQUIREMENTS.
2. THE VOLUME OF THE SEPTIC TANK WILL BE AS REQUIRED IN OAR 340-071.
3. THE VOLUME OF THE DOSING TANK WILL BE AS REQUIRED IN OAR 340-071.
4. AS AN OPTION, THE COMPRESSOR, CONTROL PANEL, AND ENCLOSURE CAN BE MOUNTED REMOTELY PROVIDED THEY ARE WITHIN 100' OF THE TREATMENT UNIT.

Page 2 of 14

**ECOLOGICAL TANKS, INC**  
 2477 HWY 151 NORTH  
 DOWNSVILLE, LA 71234

**ETI 800 GPD UNIT W/ OREGON APPROVED SEPTIC TANK & DOSING TANK**

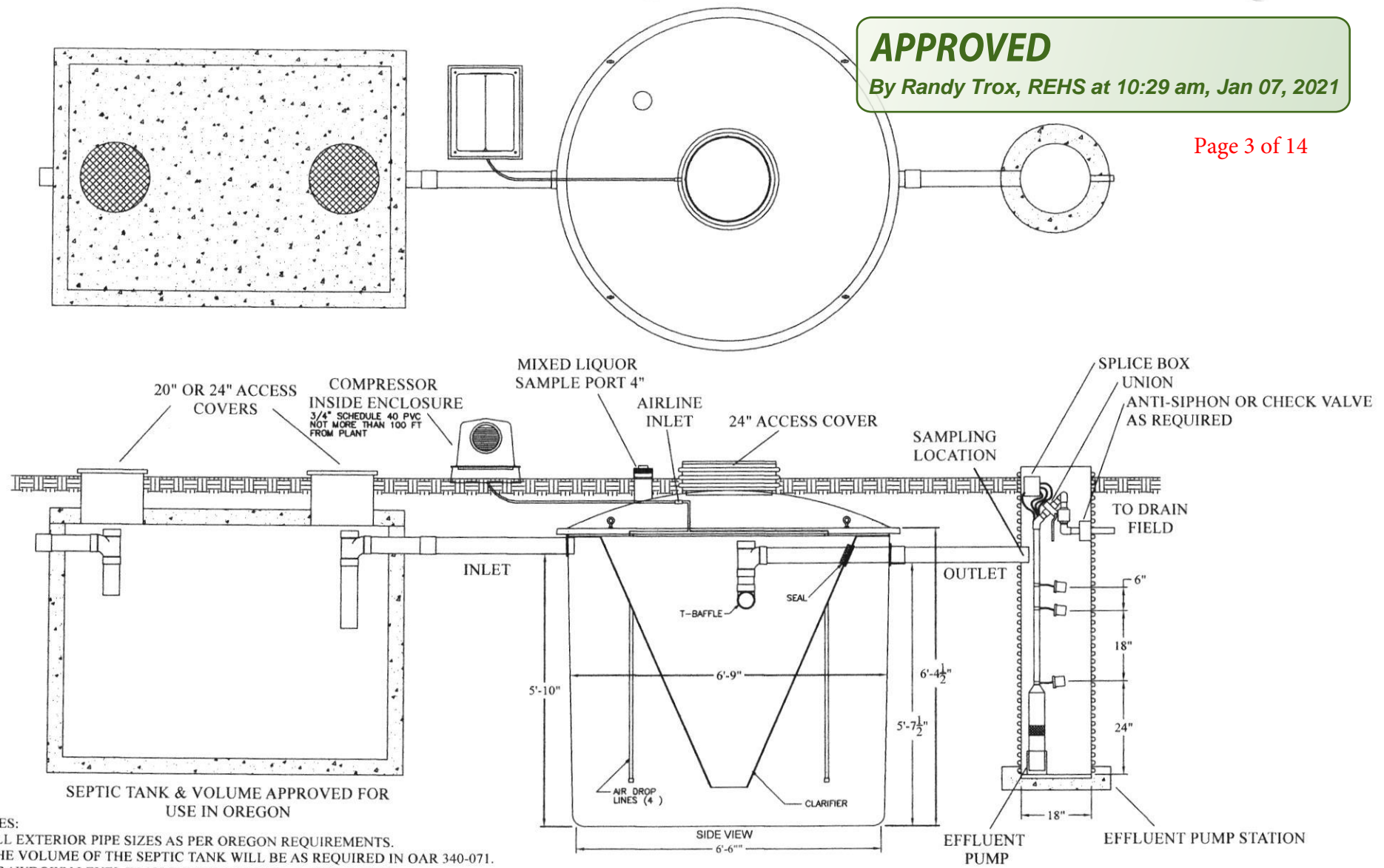
**APPROVED**

By Randy Trox, REHS at 10:29 am, Jan 07, 2021

NO PART OF THIS DOCUMENT MAY BE REPRODUCED, STORED IN ANY RETRIEVAL SYSTEM, OR TRANSMITTED IN ANY FORM OR BY ANY MEANS, ELECTRONIC OR MECHANICAL, PHOTOCOPYING, RECORDING, OR BY ANY INFORMATION SYSTEMS WITHOUT THE PRIOR WRITTEN PERMISSION OF ECOLOGICAL TANKS, INC.

PRODUCED BY: DATE: 7/14/20  
 DRAWING NO: AS8001-3

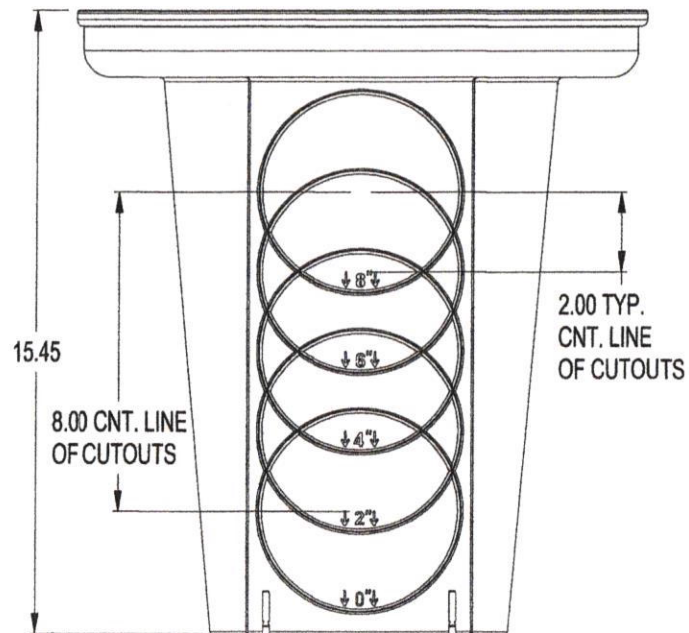
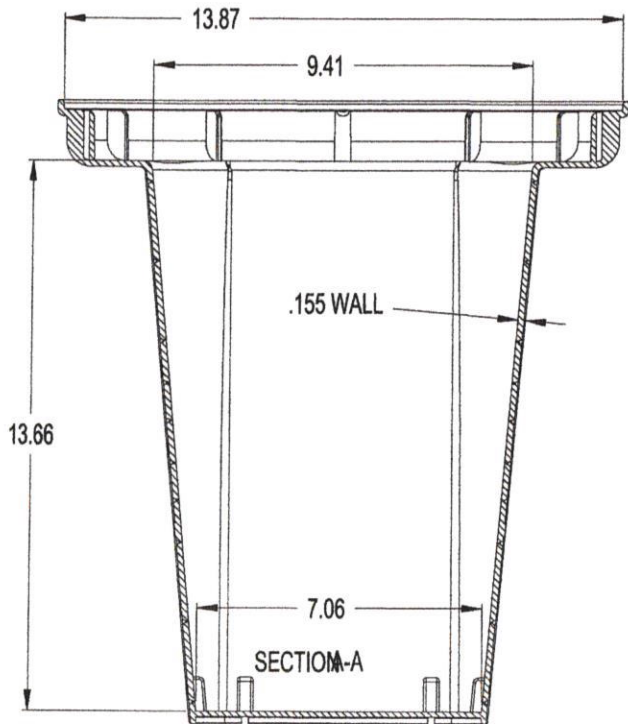
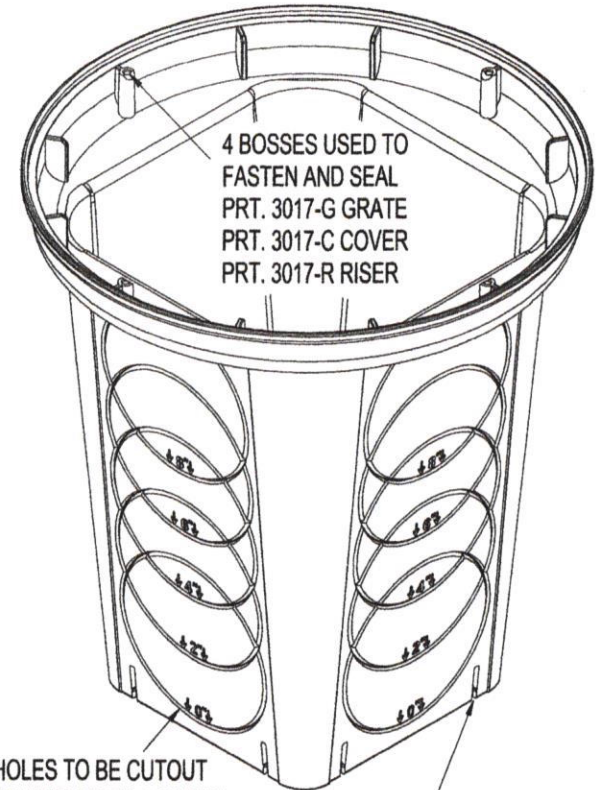
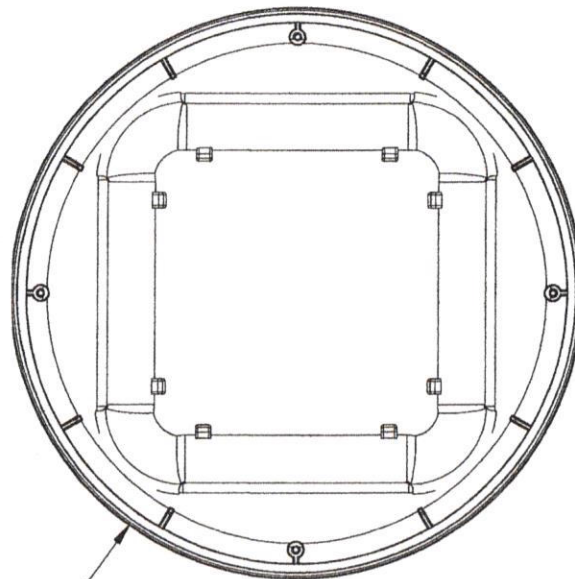
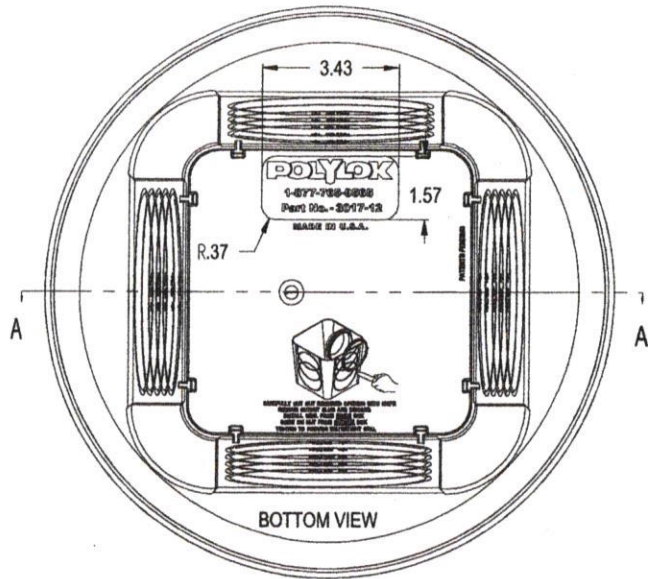
**APPROVED**  
 By Randy Trox, REHS at 10:29 am, Jan 07, 2021



- NOTES:
1. ALL EXTERIOR PIPE SIZES AS PER OREGON REQUIREMENTS.
  2. THE VOLUME OF THE SEPTIC TANK WILL BE AS REQUIRED IN OAR 340-071.
  3. DRAWDOWN LEVEL IN 18" PUMP CHAMBER = 1.10 GAL/INCH. EIGHTEEN (18) INCHES = 19.8 GALLONS.
  4. AS AN OPTION, THE COMPRESSOR, CONTROL PANEL, AND ENCLOSURE CAN BE MOUNTED REMOTELY PROVIDED THEY ARE WITHIN 100' OF THE TREATMENT UNIT.

AS800L AEROBIC TREATMENT UNIT  
 800 GALLON TREATMENT CAPACITY

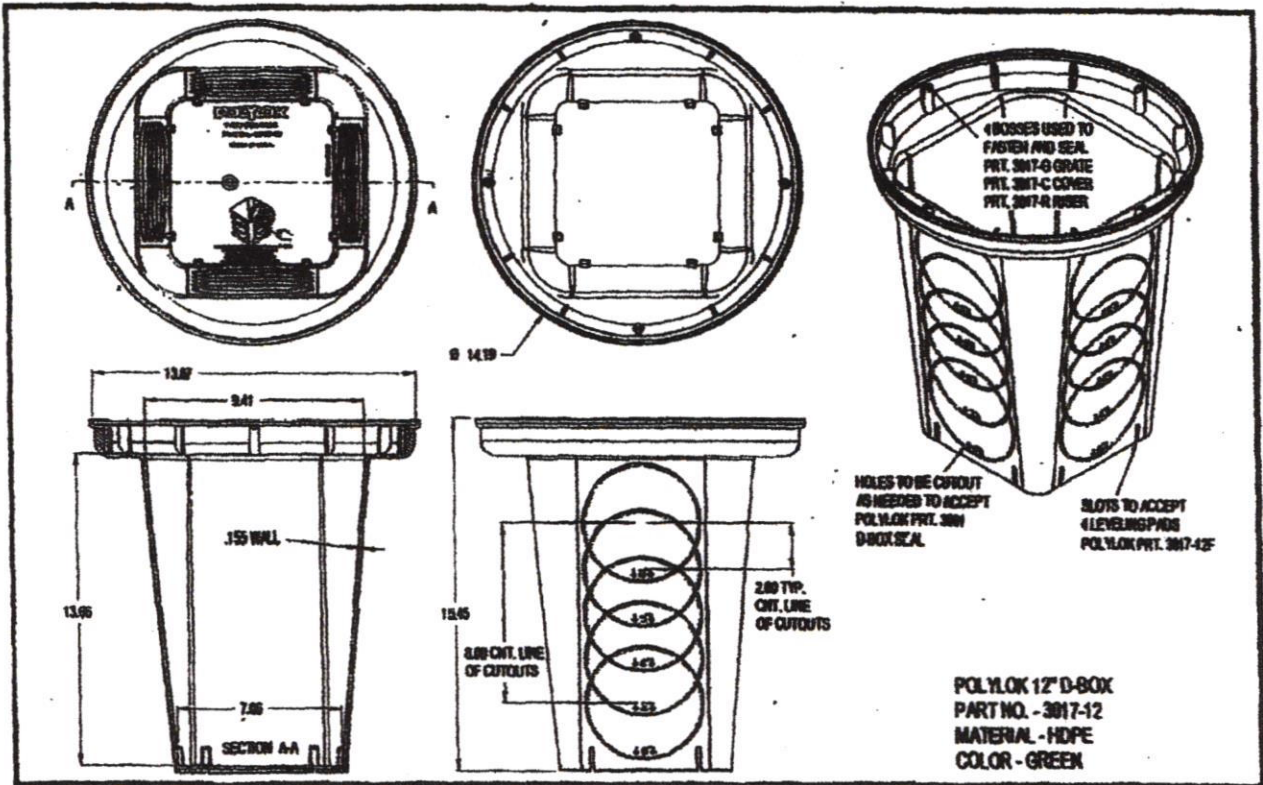
<b>ECOLOGICAL TANKS, INC</b> 2477 HWY 151 NORTH DOWNSVILLE, LA 71234	<b>ETI 800 GPD UNIT W/ OREGON APPROVED SEPTIC TANK &amp; HIGH HEAD PUMP STATION</b>		
	<small>NO PART OF THIS DOCUMENT MAY BE REPRODUCED, STORED IN ANY RETRIEVAL SYSTEM, OR TRANSMITTED IN ANY FORM OR BY ANY MEANS, ELECTRONIC, MECHANICAL, PHOTOCOPYING, RECORDING OR OTHERWISE WITHOUT THE PRIOR WRITTEN PERMISSION OF ECOLOGICAL TANKS, INC.</small>	<b>SCALE:</b> NTS	<b>DATE</b> 7/14/20



HOLES TO BE CUTOUT  
AS NEEDED TO ACCEPT  
POLYLOK PRT. 3001  
D-BOX SEAL

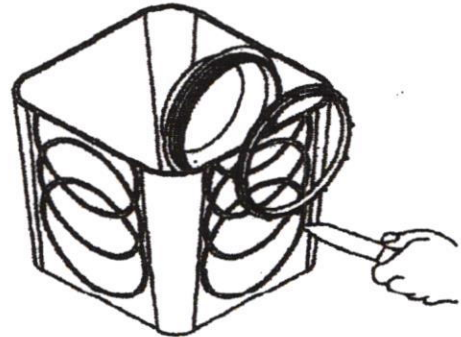
SLOTS TO ACCEPT  
4 LEVELING PADS  
POLYLOK PRT. 3017-12F

**POLYLOK 12" D-BOX**  
**PART NO. - 3017**  
**MATERIAL - POLYPROPYLENE**  
**COLOR - BLACK**  
**CAPACITY - 4 GALLONS**



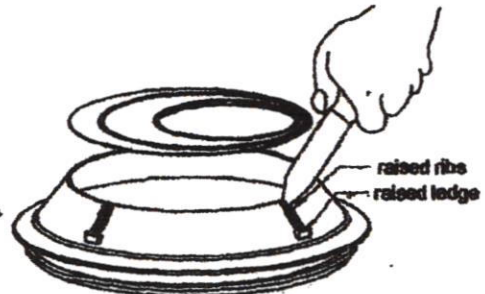
**Installation Instructions for 12" & 20" D-Box**

1. Carefully cut out required opening in the box with a knife.
2. Install seal from **INSIDE** the box.
3. Screw on the nut from **OUTSIDE** the box.
4. Tighten to provide a watertight seal.
5. Remove the correct size tear out on the seal.  
**TEAR OUT- DO NOT CUT OUT.**
6. Slide the pipe into the seal.
7. Snap the stabilizing feet into the sockets at the base of the box. (12" only)



**Special Instructions for Installing 4" Corrugated Pipe Only**

1. Remove the 4" **TEAR OUT** on the seal. **TEAR OUT, DO NOT CUT OUT.**
2. Carefully cut between raised ribs on back of seal in all 4 places.
3. Push corrugated pipe into seal.





## **AQUA SAFE®: Directions for Collecting Samples (Oregon version)**

### **Sample Port:**

A suitable sampling port can be constructed from a pre-fabricated container that is constructed from watertight material, with watertight joints. A standard distribution box can be used for this purpose provided:

- (1) It has a minimum diameter of 8 inches at the point of sample collection;
- (2) The inlet is at least 8 inches above the bottom of the sample port; and,
- (3) There is at least 2 inches of fall between the inlet and outlet of the sample port.

### **Directions for Collecting Sample:**

*Note: On installations that have an effluent dosing tank following the Aqua Safe, the sample can be collected from the Aqua Safe discharge as it flows into the pump tank.*

- Using a dipper or suction device, remove the water from the bottom of the sample port
- Using a clean cloth or paper towel, clean the inside of the inlet pipe to remove any scum or debris that might have collected on the interior of the pipe
- Turn on a faucet or activate the dosing pumps to cause water to flow through the treatment plant (<5gpm), generating a flow into the sample port or into the effluent dosing tank.
- Allow the water to run for 30-60 seconds, and then collect a sample from the free falling stream running into the sample port or dosing tank. Do not collect the sample from the stagnant water from inside the sample port.

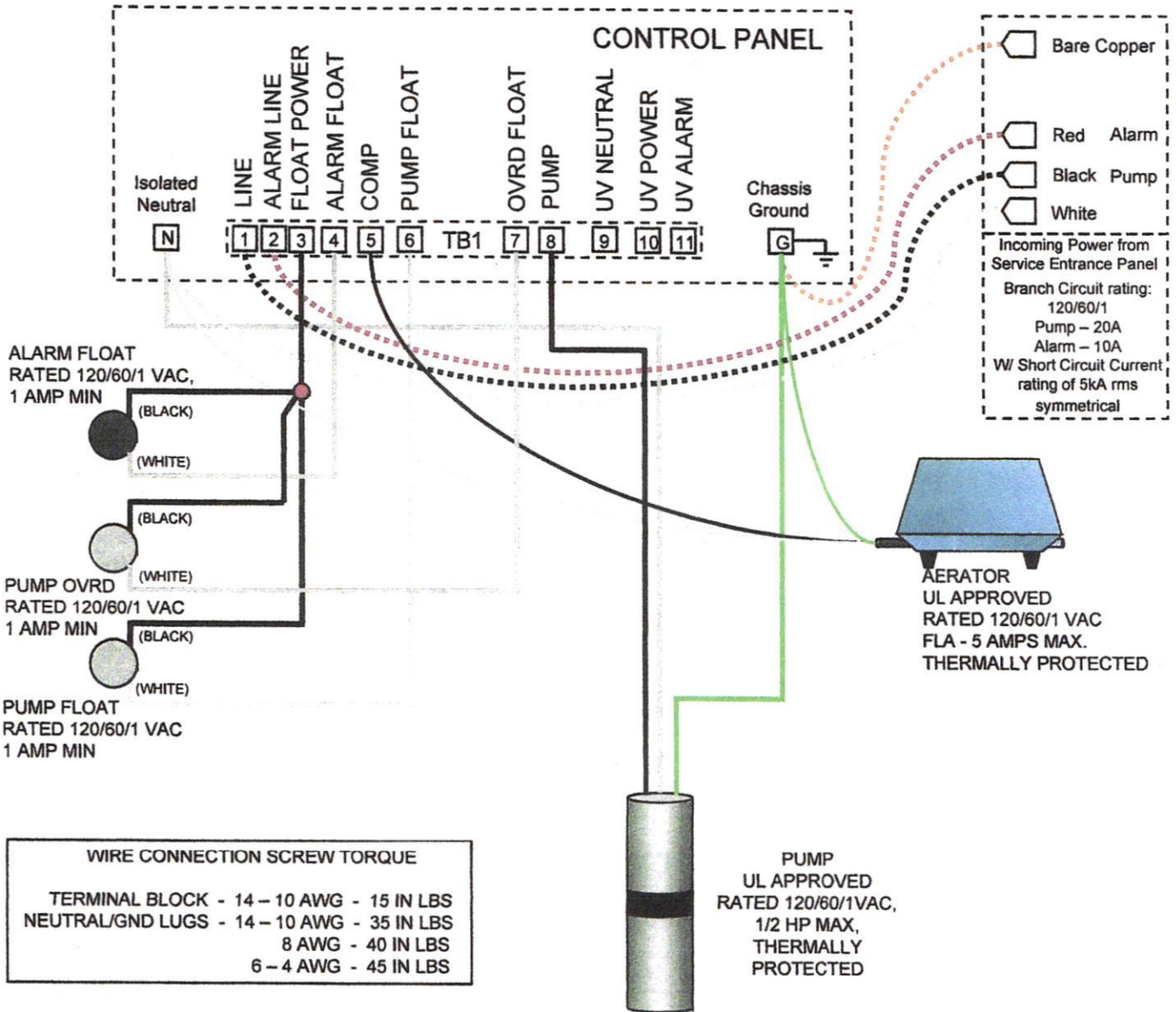
### **Valve Located Within the Pump Discharge (Pressure) Piping:**

On certain Aqua Safe® systems that utilize an effluent pump, a valve is installed on the pressure line in location that allows for the collection of a sample of the pumped effluent. In these instances, samples should be collected in the following manner:

- Make sure that there is sufficient water (effluent) in the pump chamber to allow for a sample to be collected.
- Raise the pump float to activate the pump.
- Slowly open the valve and allow for the discharge to run for 1-20 seconds in order to clear any debris from the pump discharge line.
- Reduce the volume of the effluent flow by partially closing the valve.
- Place the sample container under the effluent flow in order to collect the sample.
- After collecting the sample, close the valve completely and lower the pump float.



**Model 217FS-SA, 120 VAC, RCT DOSE SIMPLEX, PUMP MONITORING AND LOCKOUT, SEPARATE ALARM LINE,**  
Field Wiring Diagram



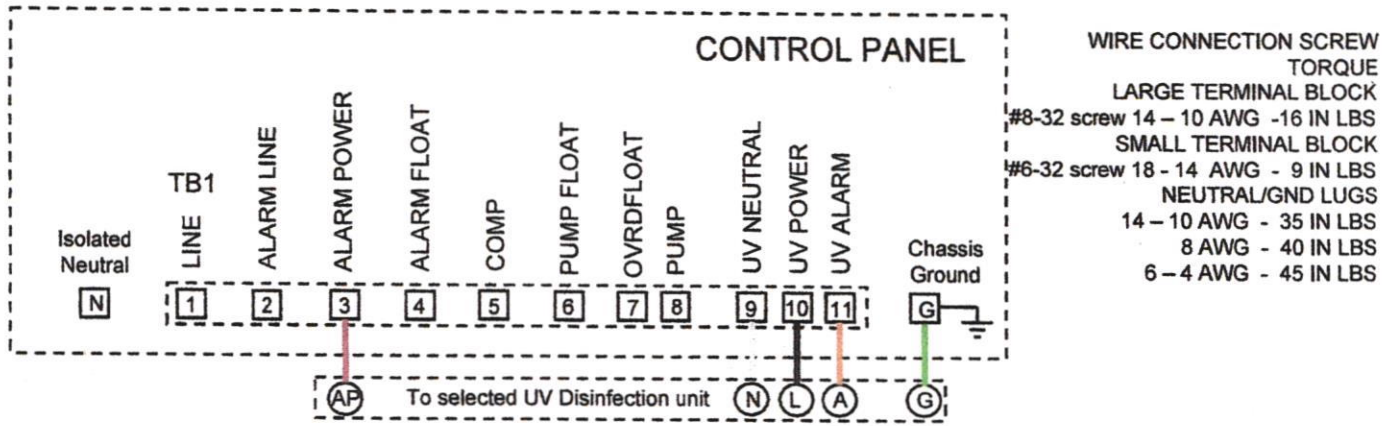
Notes for field installed components:

1. Main Disconnect, Branch Circuit Protection, wiring and external components to be provided by installer.
2. Field wiring - #14 – #10 AWG, 60°C min, use copper conductors only.
3. Field installed conduit fittings must be rated for use with Type 4X Enclosure.
4. Refer to local codes for float placement. Some jurisdictional authorities require the override float to be located above the high water alarm float.
5. **Conduit openings must be sealed around wiring with an electrical grade (non-corrosive) sealant to prevent potentially harmful vapors from entering the control panel.**

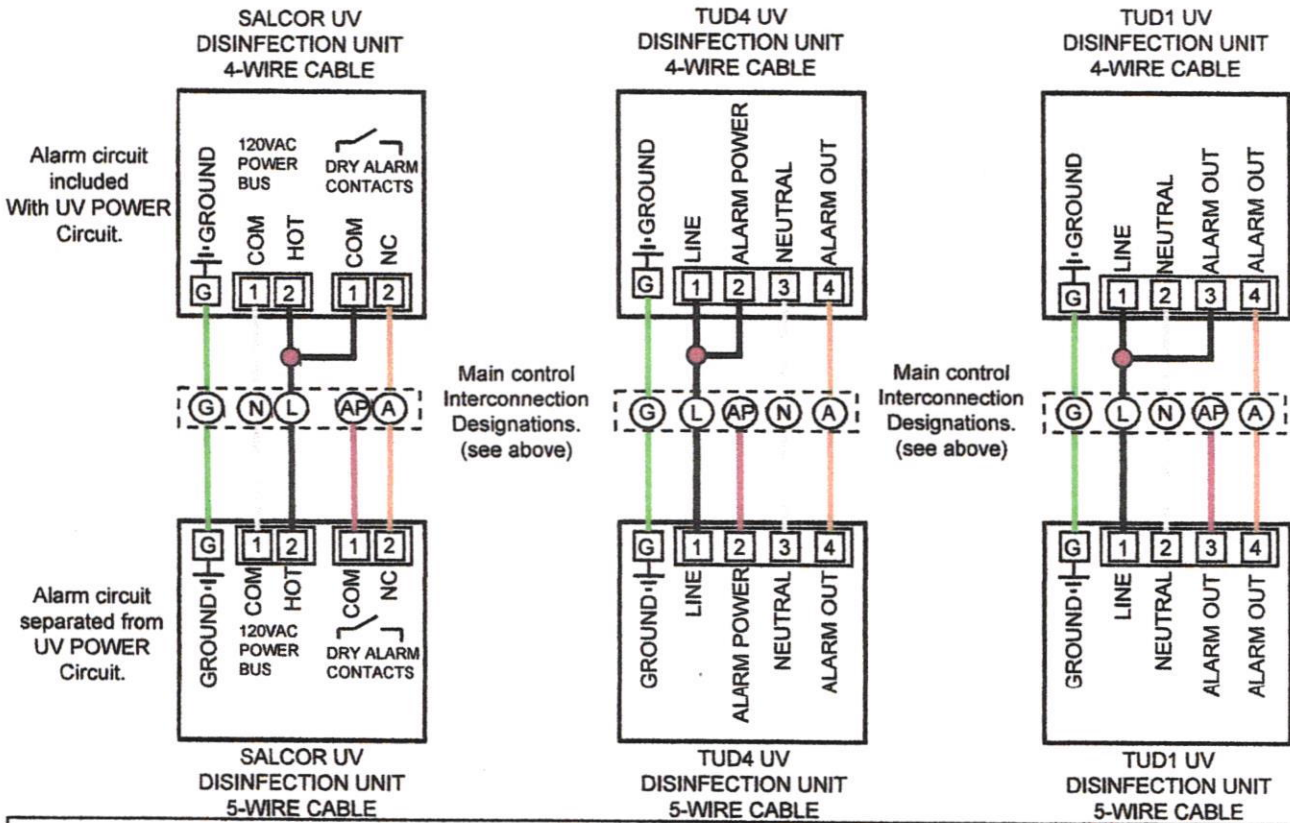
Copyright Notice

All information contained on this page is proprietary to Ecological Tanks, Inc. and no part of this information may be reproduced, stored in a retrieval system or transmitted in any form or by any means, electronic, mechanical, photocopying, recording or otherwise without the prior written permission of Ecological Tanks, Inc..

MODEL 217FS-SA Field Wiring Diagram



WIRE CONNECTION SCREW TORQUE  
 LARGE TERMINAL BLOCK  
 #8-32 screw 14 - 10 AWG - 16 IN LBS  
 SMALL TERMINAL BLOCK  
 #6-32 screw 18 - 14 AWG - 9 IN LBS  
 NEUTRAL/GND LUGS  
 14 - 10 AWG - 35 IN LBS  
 8 AWG - 40 IN LBS  
 6 - 4 AWG - 45 IN LBS

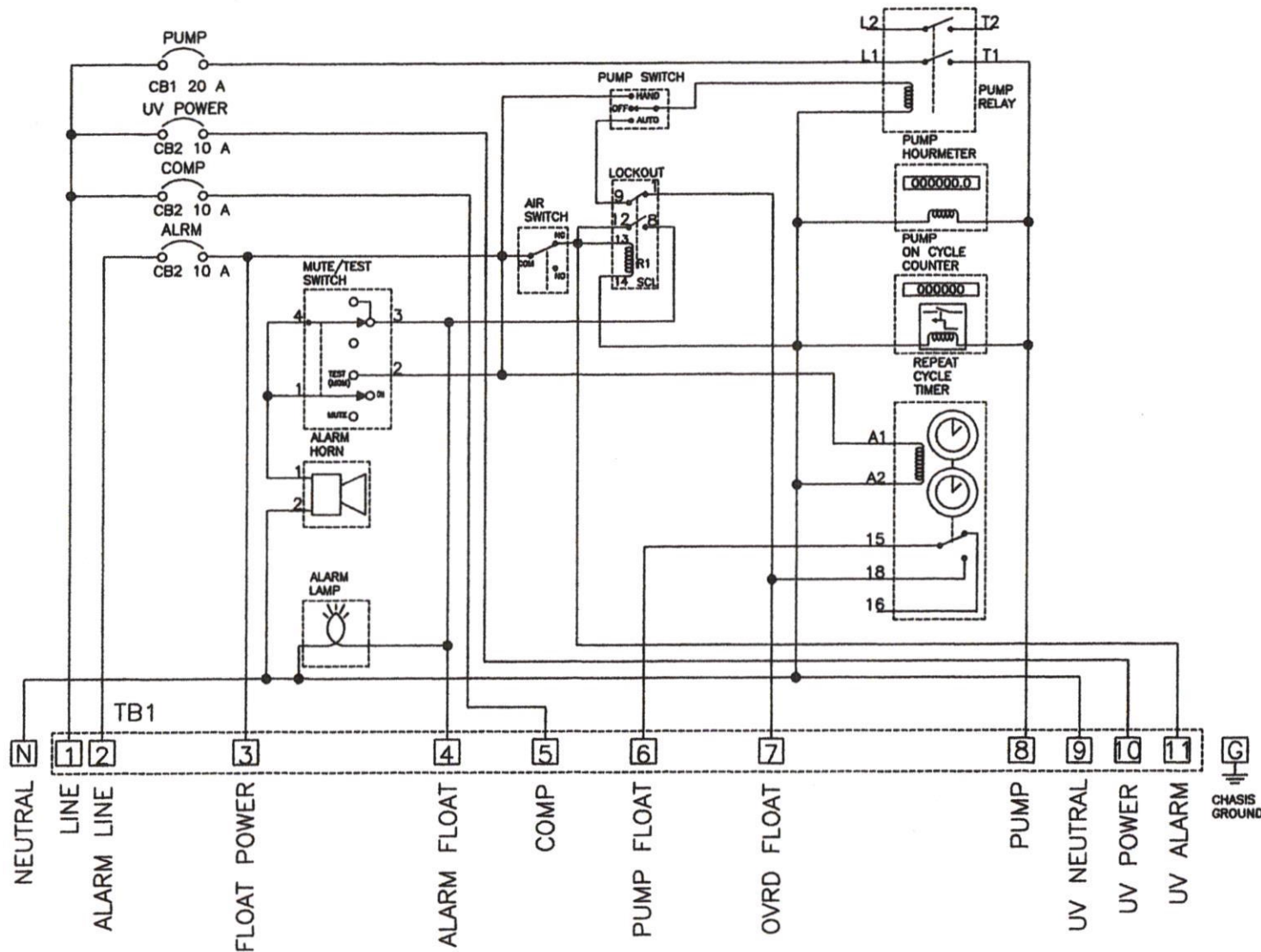


- Notes for field installed components:
1. Main Disconnect, Branch Circuit Protection, wiring and external components to be provided by installer.
  2. Field wiring - #14 - #10 AWG, 60°C min, use copper conductors only.
  3. Field installed conduit fittings must be rated for use with Type 4X Enclosure.  
 If used, metal conduit fittings must provide means to bond conduit to ground terminal.
  4. Torque Terminal Block, Neutral and Ground screws to 15 - 20 in-lbs.
  5. **Conduit openings must be sealed around wiring with an electrical grade (non-corrosive) sealant to prevent potentially harmful vapors from entering the control panel.**

Copyright Notice

All information contained on this page is proprietary to Ecological Tanks, Inc. and no part of this information may be reproduced, stored in a retrieval system or transmitted in any form or by any means, electronic, mechanical, photocopying, recording or otherwise without the prior written permission of Ecological Tanks, Inc..

**MODEL 217FS-SA 120VAC, RCT DOSE SIMPLEX, PUMP MONITORING AND LOCKOUT, SEPERATE ALARM INPUT, SCHEMATIC**

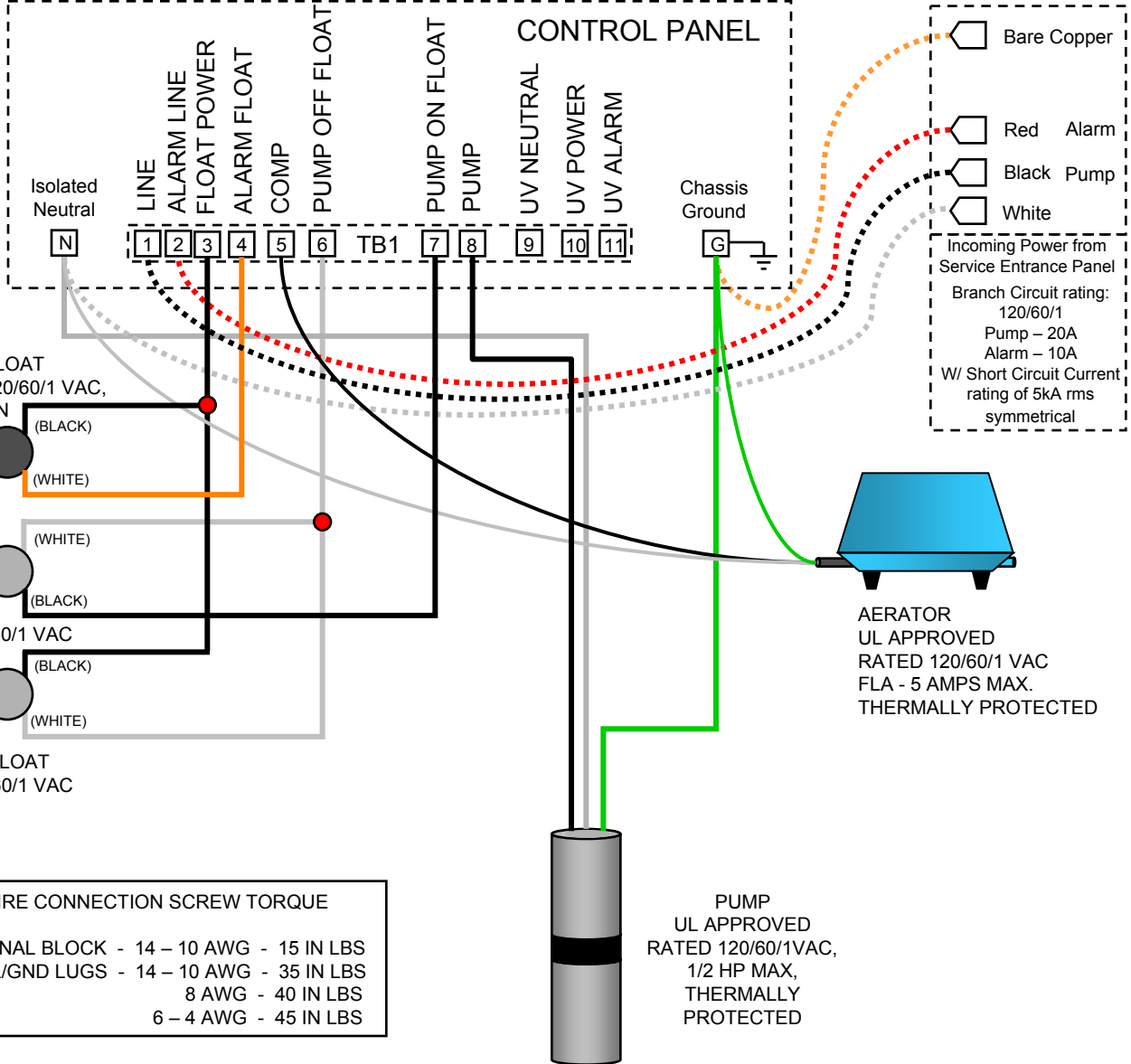


All information contained on this page is proprietary to Ecological Tanks, Inc. and no part of this information may be reproduced, stored in a retrieval system or transmitted in any form or by any means, electrical, mechanical, photocopying, recording or otherwise without the prior written permission of Ecological Tanks, Inc.

**Model 202FS-SA, 120 VAC, DEMAND SIMPLEX,  
PUMP MONITORING AND LOCKOUT, SEPARATE ALARM LINE,**

Field Wiring Diagram

**THREE FLOATS WITH LATCHING PUMP OPTION**



**WIRE CONNECTION SCREW TORQUE**

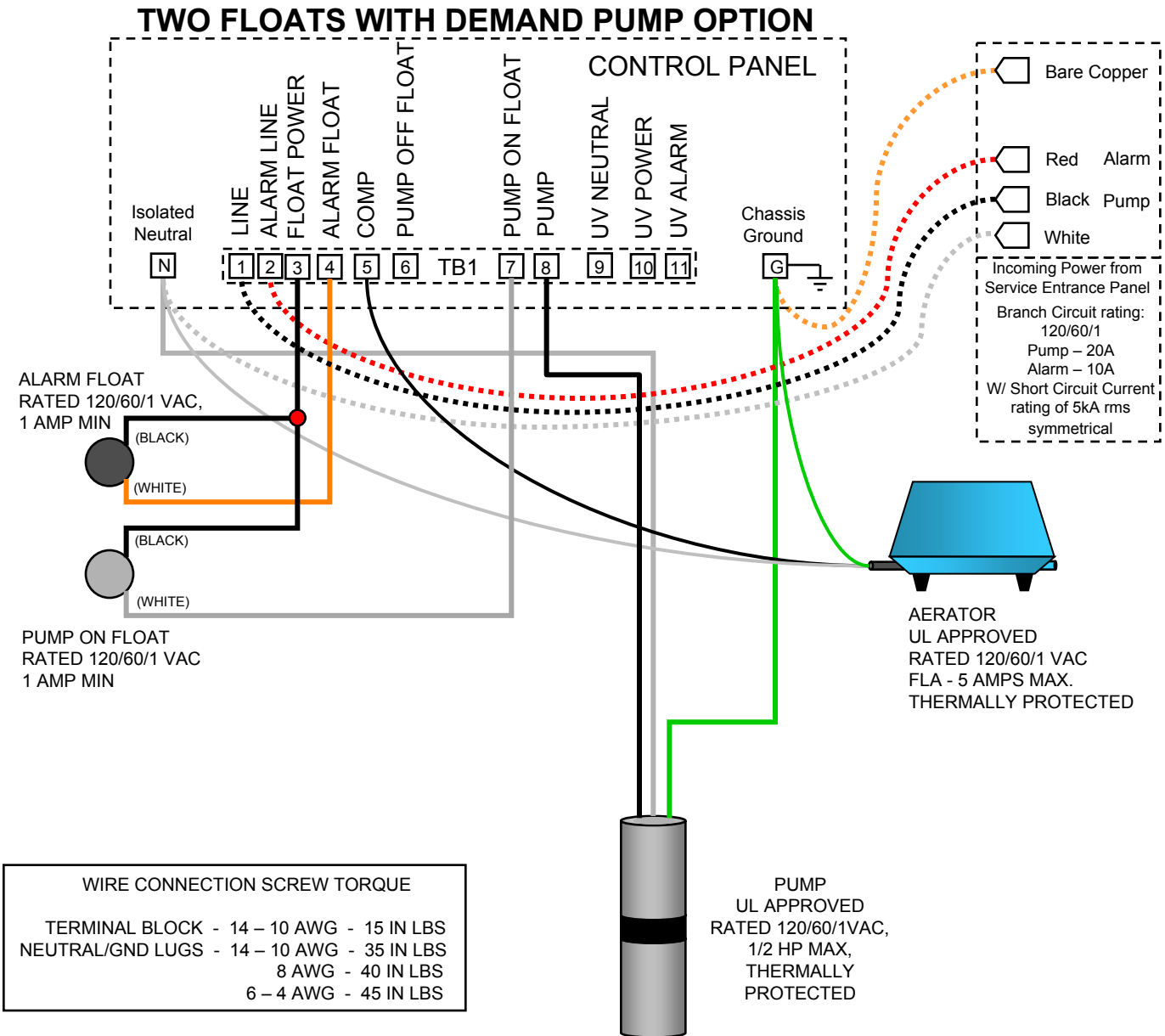
TERMINAL BLOCK	- 14 – 10 AWG	- 15 IN LBS
NEUTRAL/GND LUGS	- 14 – 10 AWG	- 35 IN LBS
	8 AWG	- 40 IN LBS
	6 – 4 AWG	- 45 IN LBS

- Notes for field installed components:**
1. Main Disconnect, Branch Circuit Protection, wiring and external components to be provided by installer.
  2. Field wiring - #14 – #10 AWG, 60°C min, use copper conductors only.
  3. Field installed conduit fittings must be rated for use with Type 4X Enclosure.
  4. Refer to local codes for float placement. Some jurisdictional authorities require the override float to be located above the high water alarm float.
  5. **Conduit openings must be sealed around wiring with an electrical grade (non-corrosive) sealant to prevent potentially harmful vapors from entering the control panel.**

Copyright Notice

**Model 202FS-SA, 120 VAC, DEMAND SIMPLEX,  
PUMP MONITORING AND LOCKOUT, SEPARATE ALARM LINE,**

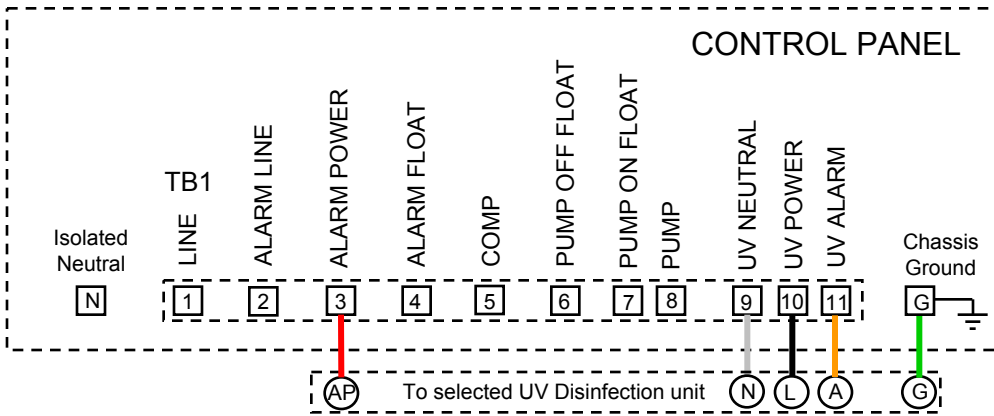
Field Wiring Diagram



**Notes for field installed components:**

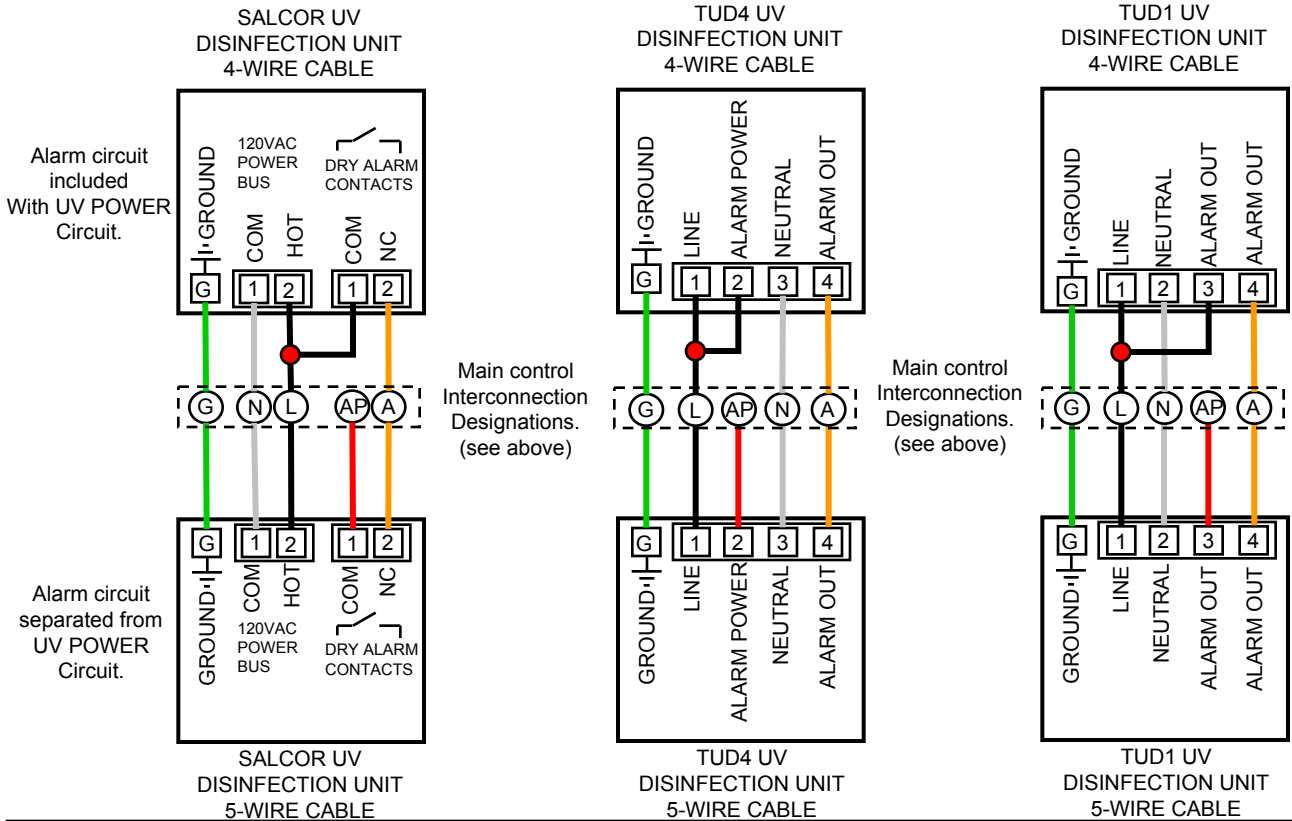
1. Main Disconnect, Branch Circuit Protection, wiring and external components to be provided by installer.
2. Field wiring - #14 – #10 AWG, 60°C min, use copper conductors only.
3. Field installed conduit fittings must be rated for use with Type 4X Enclosure.
4. Refer to local codes for float placement. Some jurisdictional authorities require the override float to be located above the high water alarm float.
5. **Conduit openings must be sealed around wiring with an electrical grade (non-corrosive) sealant to prevent potentially harmful vapors from entering the control panel.**

Copyright Notice



WIRE CONNECTION SCREW TORQUE  
 LARGE TERMINAL BLOCK  
 #8-32 screw 14 – 10 AWG -16 IN LBS  
 SMALL TERMINAL BLOCK  
 #6-32 screw 18 - 14 AWG - 9 IN LBS  
 NEUTRAL/GND LUGS  
 14 – 10 AWG - 35 IN LBS  
 8 AWG - 40 IN LBS  
 6 – 4 AWG - 45 IN LBS

Page 13 of 14



Notes for field installed components:

1. Main Disconnect, Branch Circuit Protection, wiring and external components to be provided by installer.
2. Field wiring - #14 – #10 AWG, 60°C min, use copper conductors only.
3. Field installed conduit fittings must be rated for use with Type 4X Enclosure.  
 If used, metal conduit fittings must provide means to bond conduit to ground terminal.
4. Torque Terminal Block, Neutral and Ground screws to 15 – 20 in-lbs.
5. **Conduit openings must be sealed around wiring with an electrical grade (non-corrosive) sealant to prevent potentially harmful vapors from entering the control panel.**

Copyright Notice

# AQUA SAFE®

Ecological Tanks, Inc.  
2247 Hwy 151 N. ♦ Downsville, LA 71234 ♦ 318-644-0397

Serial # CL \_\_\_\_\_

MODELS:

- AS800L
- AS800L C
- AS800L EZ ●

**CLASS 1 SIZE 800 GPD**

*For service call your local service provider*



*Certified to NSF/ANSI Standard 40*

# AQUA SAFE®

Ecological Tanks, Inc.  
2247 Hwy 151 N. ♦ Downsville, LA 71234 ♦ 318-644-0397

**Model:**

- AS800L
- AS800L C
- AS800L EZ ●



**COMPONENT**

**Class 1 Size 800 GPD**

**Serial # on Aerator**

*Certified to NSF/ANSI Standard 40*

*For service call your local service provider*