

PROJECT ENGINEER'S APPROVAL:
 I (WE) HEREBY CERTIFY THAT THIS DRAWING HAS BEEN CHECKED AND IS APPROVED FOR USE IN CONFORMITY WITH THE CONTRACT DOCUMENTS.

DATE: _____
 NAME: _____

CONTRACTOR'S CERTIFICATION:
 I (WE) HEREBY CERTIFY THAT THIS DRAWING HAS BEEN CHECKED AND IS APPROVED FOR USE IN CONFORMITY WITH THE CONTRACT DOCUMENTS.

DATE: _____
 NAME: _____

CRITICAL DIMENSIONS

A	N	0'-0 3/8"
B	O	0'-6"
C	P	0'-0 3/8"
D	Q	1'-2 1/2"
E	R	4'-3 1/2"
F	S	5'-6"
G	T	1'-11"
H	U	6'-6"
I	V	
J	W	
K	X	
L	Y	
M	Z	

U.S. AND FOREIGN PATENTS PENDING

norweco

SINGULAIR® GREEN TNT - 500 WASTEWATER TREATMENT SYSTEM WITH UV DISINFECTION SYSTEM, PUMP TANK AND SEPTIC TANK

REVISION DATE: _____

DESIGNED BY: _____

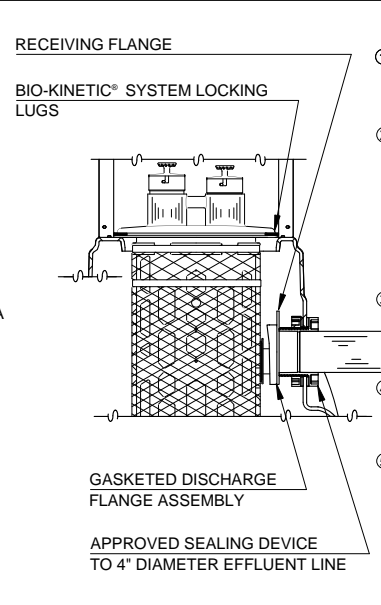
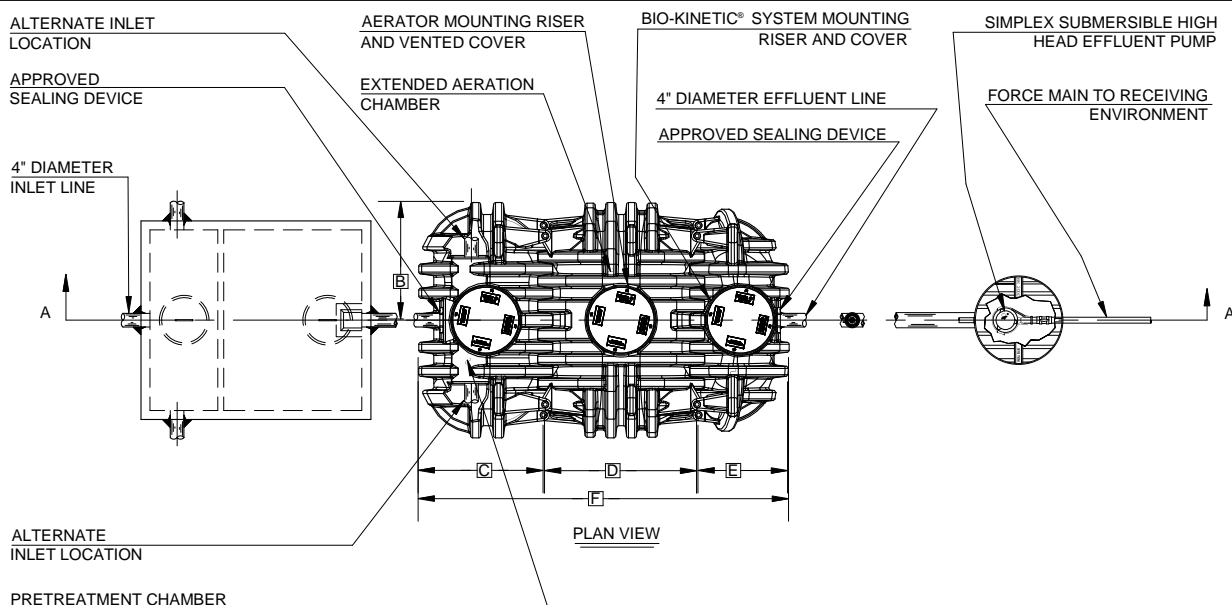
APPROVED BY: **JMM**

DATE: **08-28-2015**

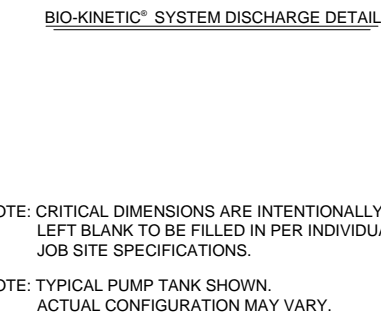
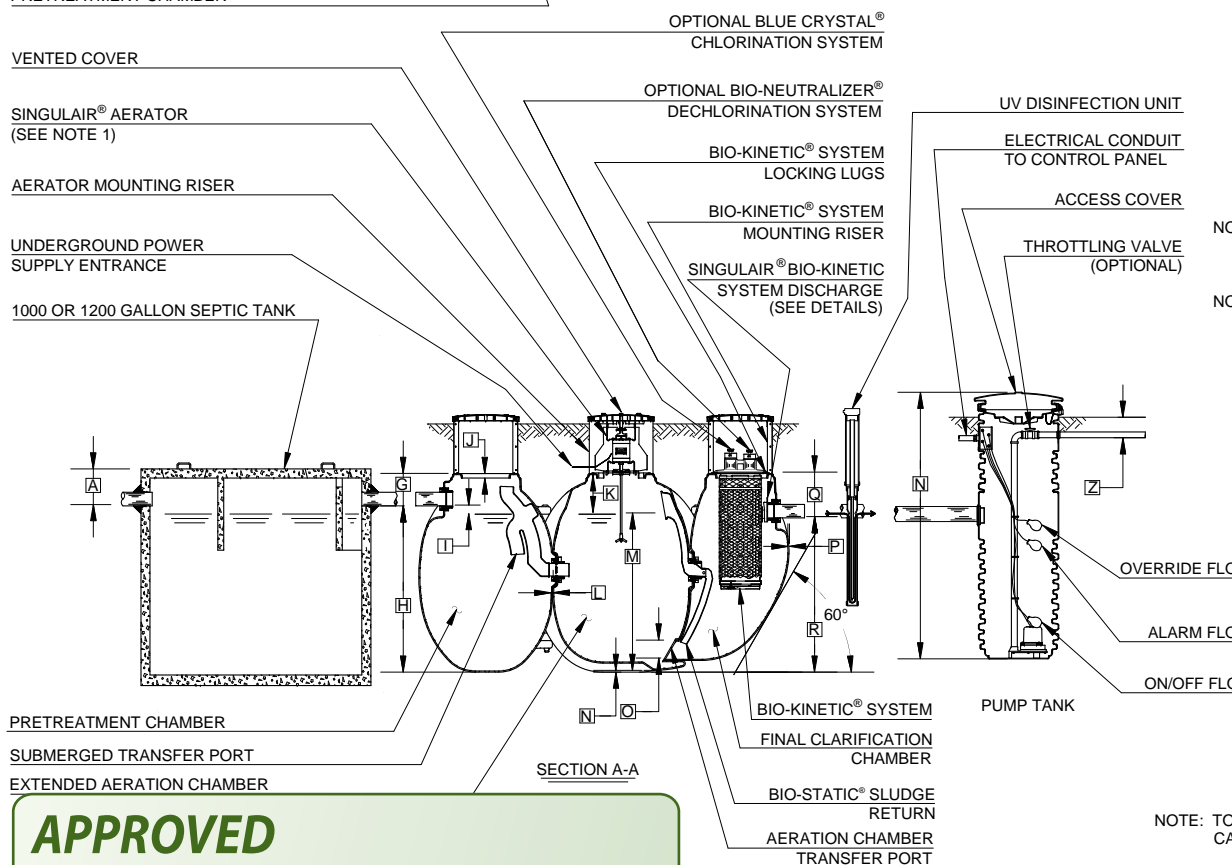
DRAWING NO: **NTS**

PC-5-150

APPROVED
 By Randy Trox at 9:05 am, Apr 06, 2016

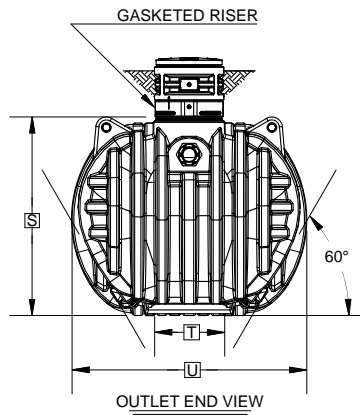


- GENERAL NOTES:**
- ① SINGULAIR® AERATOR, AS TESTED AND ACCEPTED BY NSF, OPERATING 60 MINUTES ON / 60 MINUTES OFF
 - ② ON DEEPER INSTALLATIONS, PRECAST RISERS MUST BE USED TO EXTEND AERATOR MOUNTING CASTING AND BIO-KINETIC® SYSTEM MOUNTING CASTING TO GRADE. INSPECTION COVER ON PRE-TREATMENT CHAMBER MUST BE DEVELOPED TO WITHIN TWELVE INCHES OF GRADE.
 - ③ REMOVABLE COVERS ON RISERS WEIGH IN EXCESS OF SEVENTY-FIVE POUNDS EACH TO PREVENT UNAUTHORIZED ACCESS.
 - ④ CONTACT THE LOCAL, LICENSED SINGULAIR® DISTRIBUTOR FOR ELECTRICAL REQUIREMENTS.
 - ⑤ CHECK LOCAL REGULATIONS GOVERNING DETAILS OF EFFLUENT REUSE FOR SPRAY IRRIGATION SUCH AS EFFLUENT QUALITY, SURFACE AREA, PIPING ARRANGEMENT, SPRAY HEAD ANGLE, OPERATING TIMES, ETC.



NOTE: CRITICAL DIMENSIONS ARE INTENTIONALLY LEFT BLANK TO BE FILLED IN PER INDIVIDUAL JOB SITE SPECIFICATIONS.

NOTE: TYPICAL PUMP TANK SHOWN. ACTUAL CONFIGURATION MAY VARY.



PROJECT ENGINEER'S APPROVAL:
I (WE) HEREBY CERTIFY THAT THIS DRAWING HAS BEEN CHECKED AND IS APPROVED FOR USE IN CONFORMITY WITH THE CONTRACT DOCUMENTS.

DATE: _____
NAME: _____

CONTRACTOR'S CERTIFICATION:
I (WE) HEREBY CERTIFY THAT THIS DRAWING HAS BEEN CHECKED AND IS APPROVED FOR USE IN CONFORMITY WITH THE CONTRACT DOCUMENTS.

DATE: _____
NAME: _____

CRITICAL DIMENSIONS	
A	N 0'-0 3/8"
B 3'-3"	O 0'-6"
C 3'-5 1/4"	P 0'-0 3/8"
D 4'-1 3/4"	Q 1'-2 1/2"
E 2'-5 3/4"	R 4'-3 1/2"
F 10'-3"	S 5'-6"
G 0'-10 1/2"	T 1'-11"
H 4'-7 1/2"	U 6'-6"
I 0'-3"	V
J 0'-1 1/2"	W
K 1'-0"	X 6'-7 1/4"
L 0'-0 3/4"	Y
M 4'-4"	Z

U.S. AND FOREIGN PATENTS PENDING	norweco	REVISION DATE	REVISION
	SINGULAIR® GREEN TNT - 500 WASTEWATER TREATMENT SYSTEM WITH UV DISINFECTION SYSTEM, PLASTIC PUMP TANK AND SEPTIC TANK	DRAWN BY	MT
		APPROVED BY	JMM
		DATE	08-28-2015
		SCALE	NTS
		DRAWING NO.	PC-5-1752

APPROVED
By Randy Trox at 9:05 am, Apr 06, 2016

NOTE: TOTAL SYSTEM CAPACITY: 2,300 GALLONS RATED CAPACITY: 500/600 GALLONS PER DAY