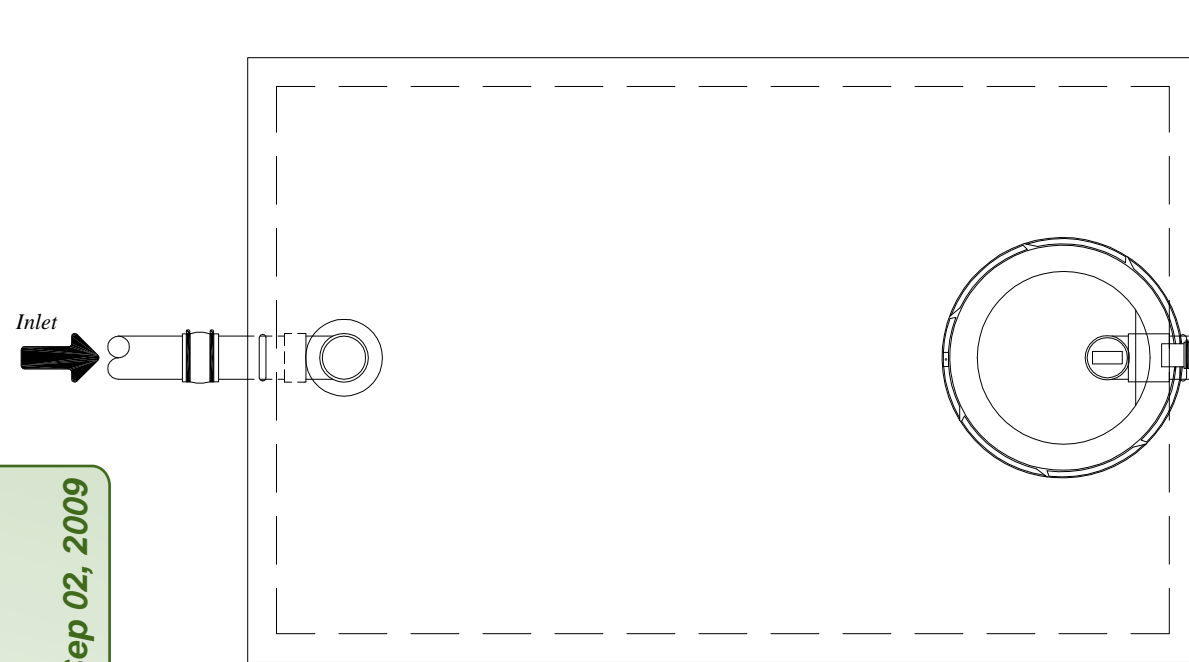
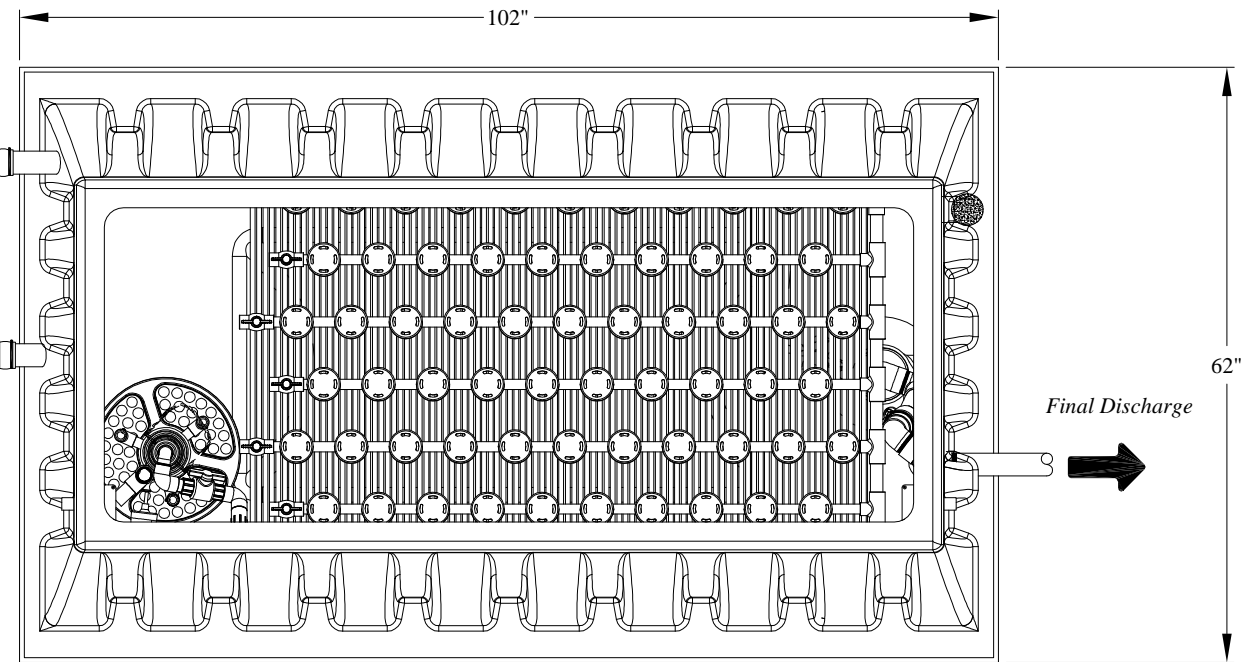


Treatment Standard 1 - Pump Discharge, 2-Comp. Recirculating Tank

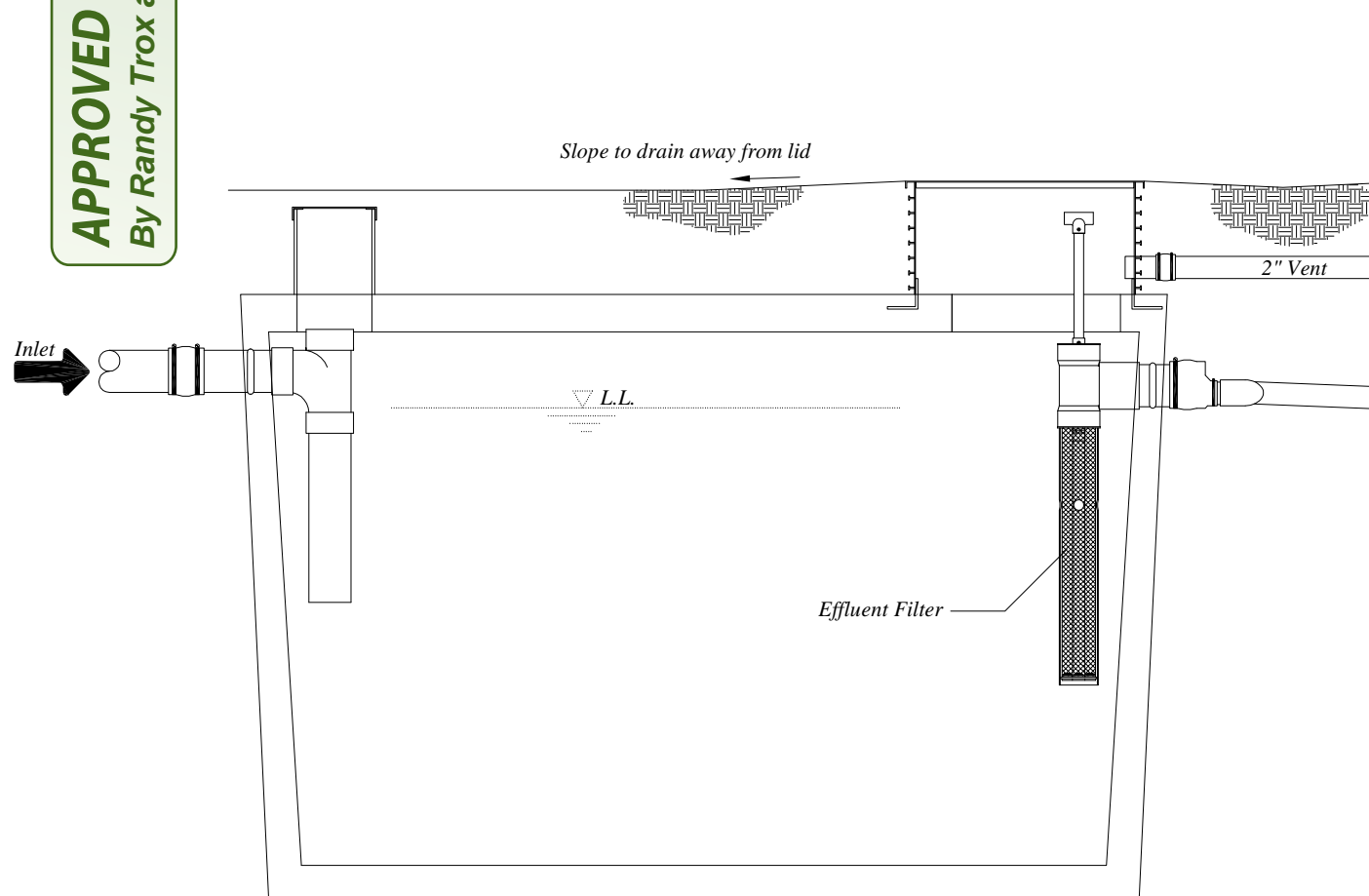
APPROVED
By Randy Trox at 9:11 am, Sep 02, 2009



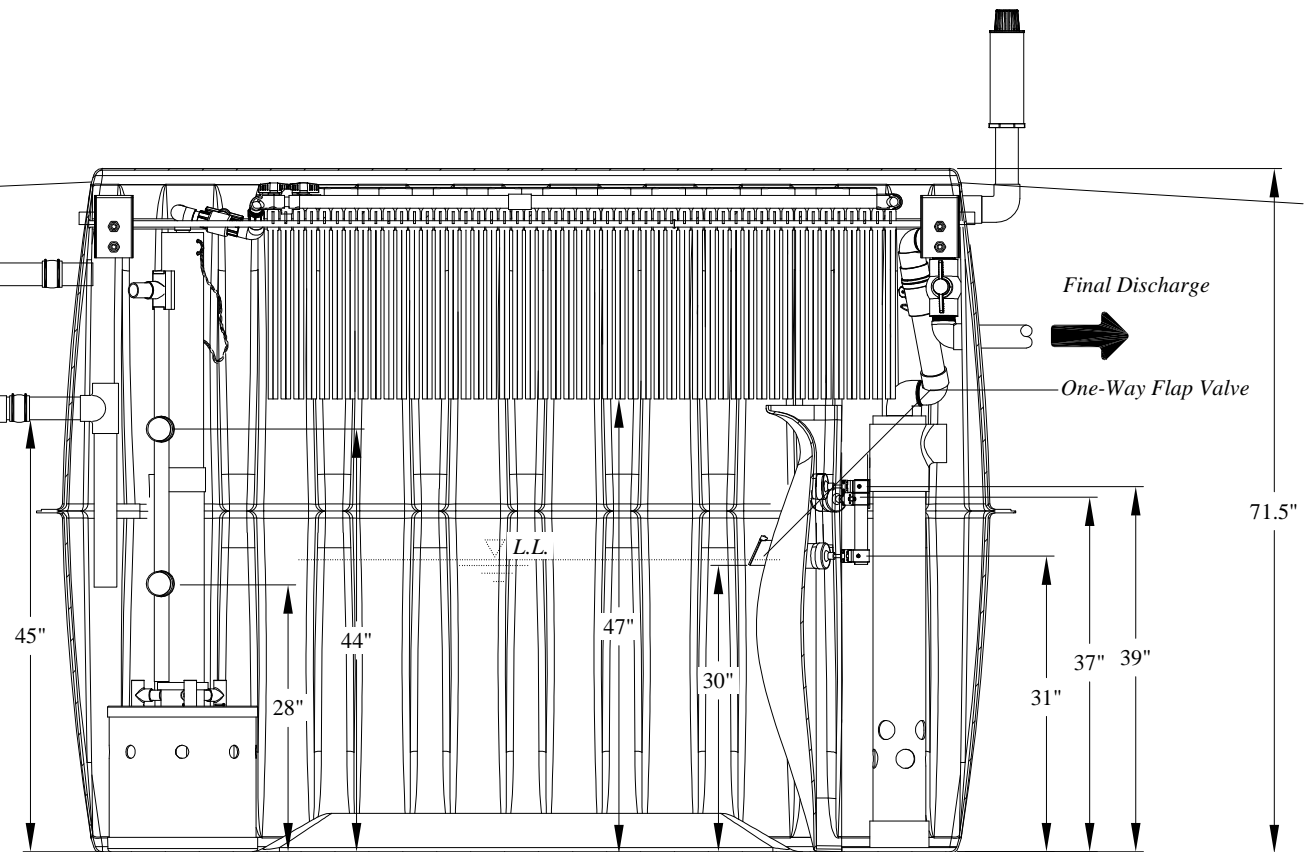
1000 gal. Primary Tank - Top View



800 gal. Recirculating Tank - Top View



1000 gal. Primary Tank - Side View



800 gal. Recirculating Tank - Side View

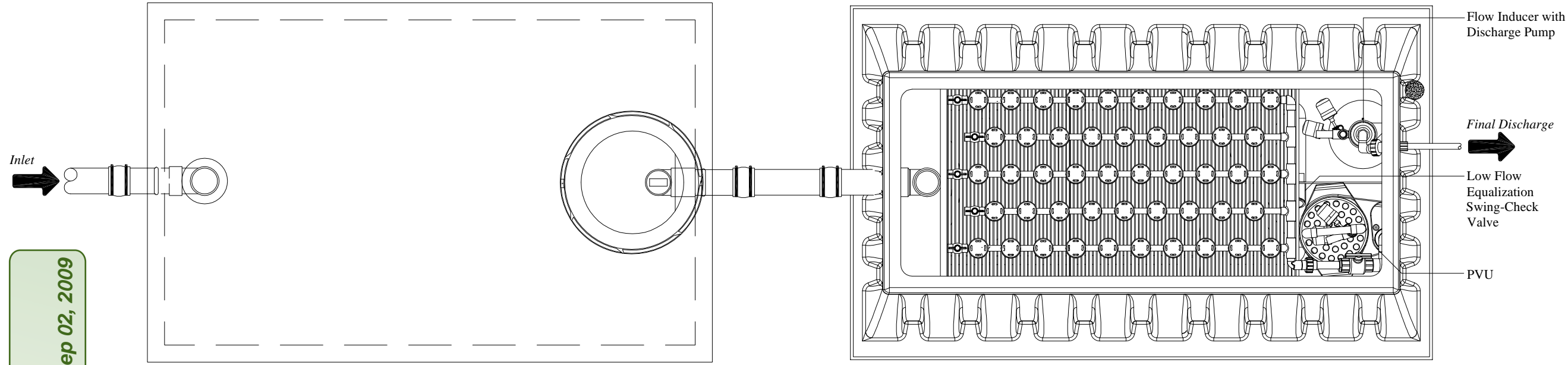


Orencia Systems
Incorporated

Title:	AX20RT 2P Treatment Standard 1		
	Drawing No.	7	
Drawn By:	CHRIS JORDAN		
	Drawing:	4	OF 7
Designed By:	ENGINEERING		
	Approved By:		
Date Approved:	A-01		
	Date:	7/17/09	
Revision:		A-01	
Scale:		1" = 20"	

U.S. Patents-4,439,323
5,492,635-6,372,137-5,360,556
5,980,748-5,531,894- 5,480,561
Other Patents Pending
© 2005 Orencia Systems®, Inc

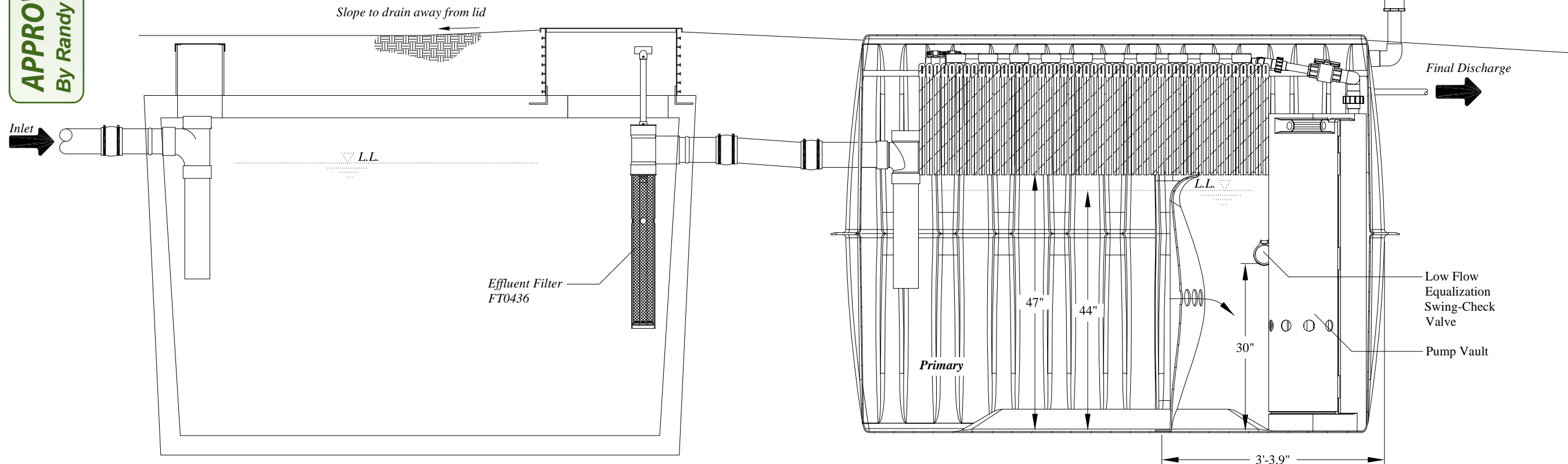
Treatment Standard 1 - Pump Discharge, 3-Comp. Recirculating Tank



1000 gal. Primary Tank - Top View

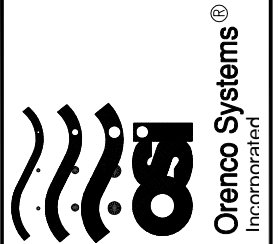
AX20 800 gal. Recirc. Tank - Top View

APPROVED
By Randy Trox at 9:11 am, Sep 02, 2009



1000 gal. Primary Tank - Side View

AX20 800 gal. Recirc. Tank - Side View



Title:	AX20RT 3P Treatment Standard 1	
	Drawing No.	7/17/09
Drawn By:	CHRIS JORDAN	Scale: 1" = 20"
Drawing:	2 OF 7	Date:
Revision:	A-01	

Designed By: **ENGINEERING**
 Approved By:
 Date Approved:

U.S. Patents-4,439,323
 5,492,635-6,372,137-5,360,556
 5,980,748-5,531,894- 5,480,561
 Other Patents Pending
 © 2005 Orencia Systems®, Inc

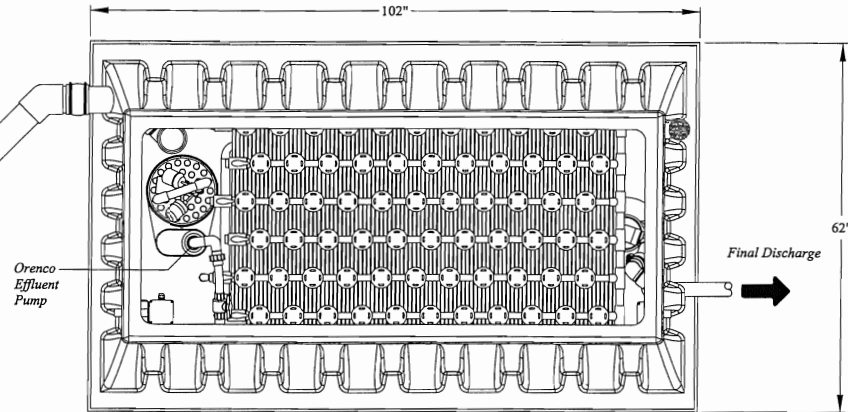
APPROVED

By Dan Wiltse at 5:02 pm, Jul 30, 2010

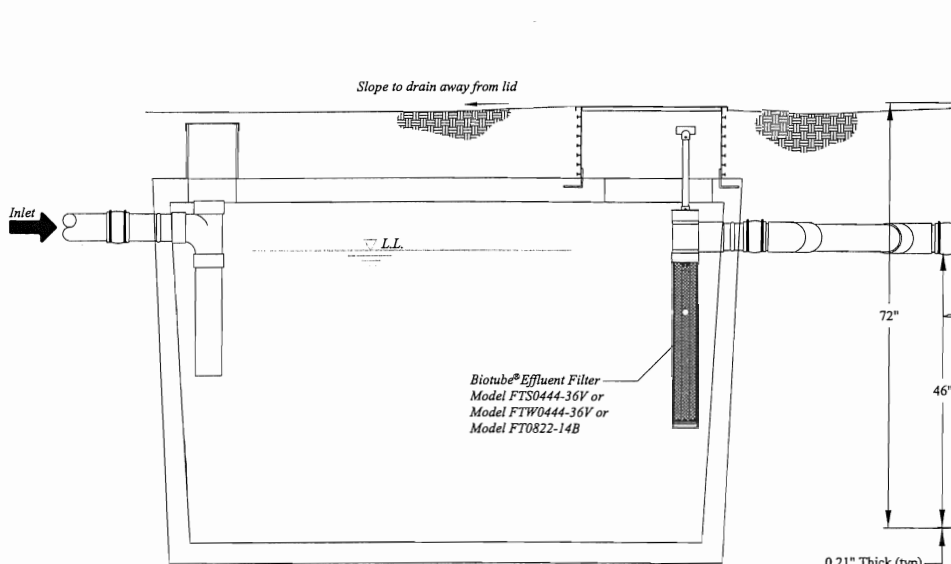
Treatment Standard 1 - Pump Discharge, 2-Comp. Recirculating Tank



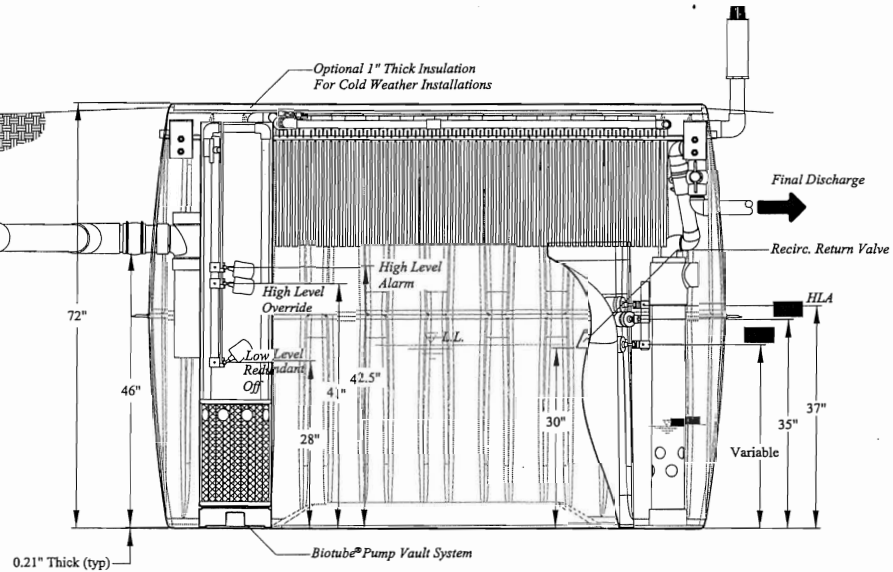
1000 gal. Primary Tank - Top View



800 gal. Recirculating Tank - Top View



1000 gal. Primary Tank - Side View



800 gal. Recirculating Tank - Side View



Orenco Systems®
Incorporated

Title:	AX20RT 2P Treatment Standard 1		
Drawing No.:	NDW-ATA-RT-OR-01		
Date:	5/19/2010	Scale:	1" = 20"

Drawn By:	BEN SMITH
Drawing:	1 OF 4
Revision:	A-01

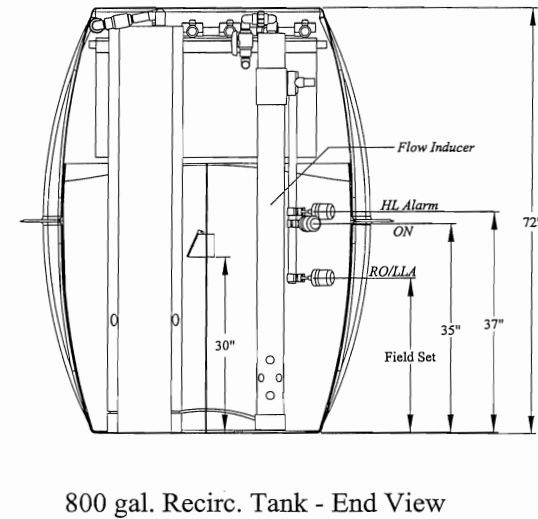
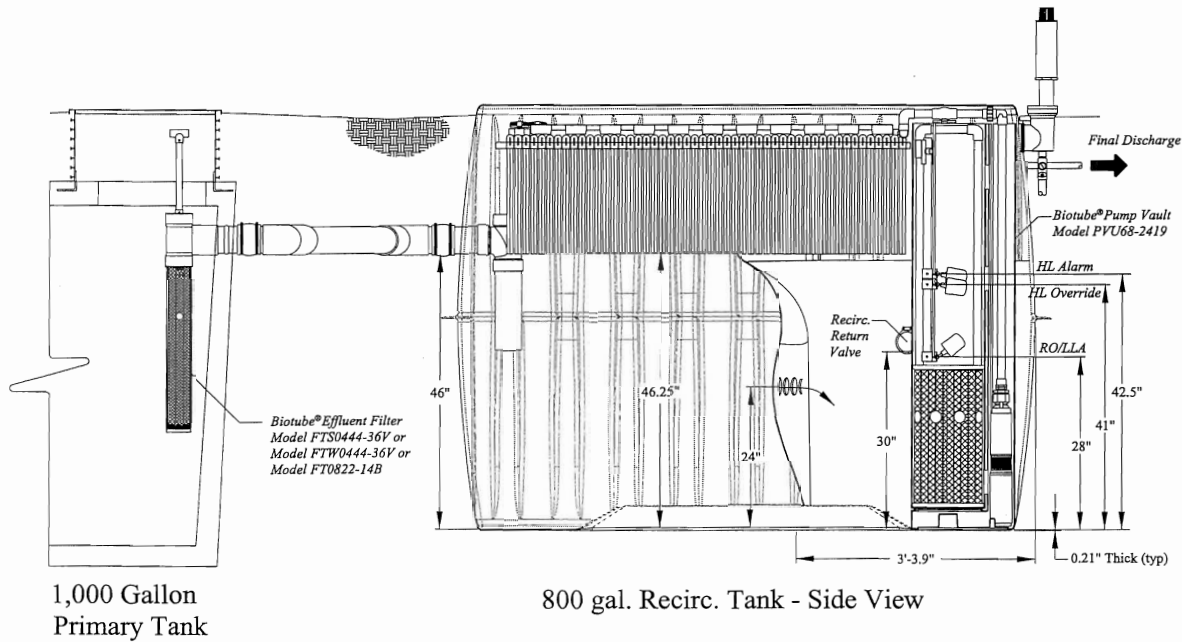
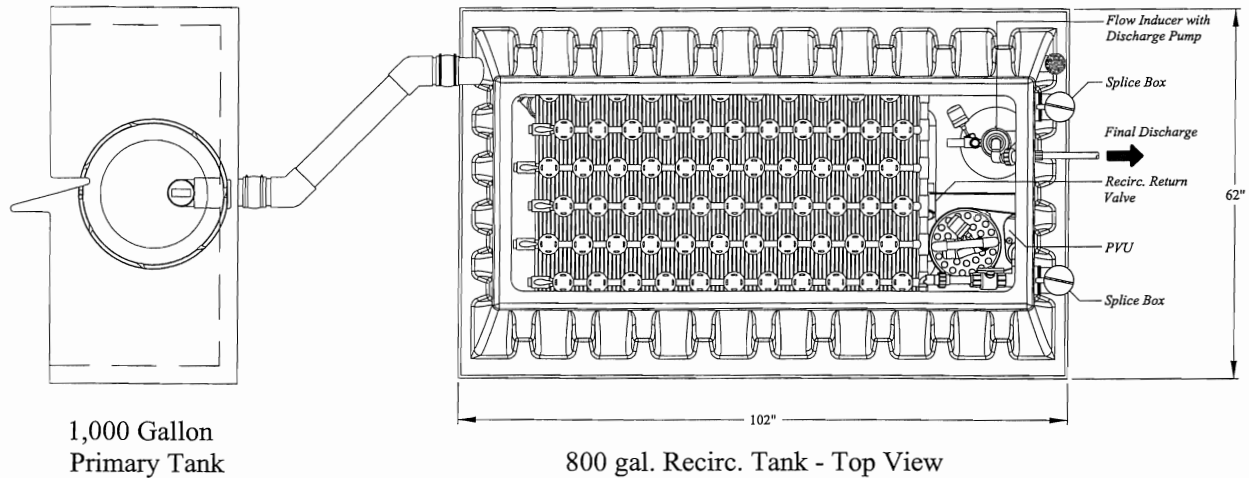
Designed By:	ENGINEERING
Approved By:	
Date Approved:	


U.S. Patents 4,438,323
5,492,695-6,372,137-5,360,556
5,980,748-5,531,894-5,480,561
Other Patents Pending
© 2005 Orenco Systems®, Inc

APPROVED

By Dan Wiltse at 5:02 pm, Jul 30, 2010

Treatment Standard 1 - Pump Discharge, 3-Comp. Recirculating Tank

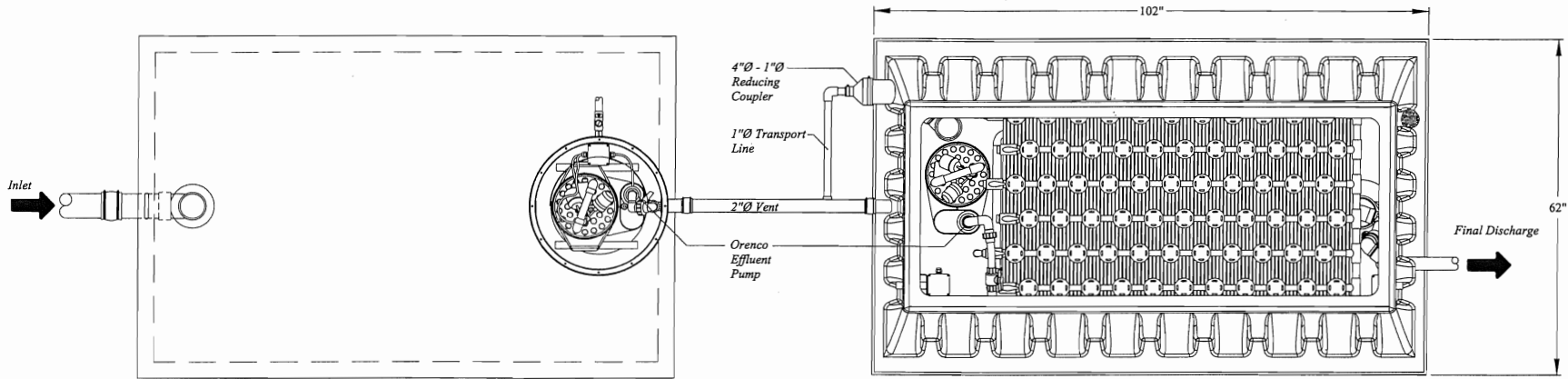


 Oreco Systems® Incorporated	
Title: AX20RT 3P Treatment Standard 1	
Drawing No. NDW-ATX-RT3-OR-02	Date: 5/19/2010
Drawn By: BEN SMITH	Scale: 1" = 20"
Designed By: ENGINEERING	Drawing: 2 OF 4
Approved By:	Revision: A-01
Date Approved:	
U.S. Patents 4,439,323 5,492,635-6,372,137-5,360,556 5,980,748-5,531,894-5,490,561 Other Patents Pending © 2005 Oreco Systems®, Inc	

APPROVED

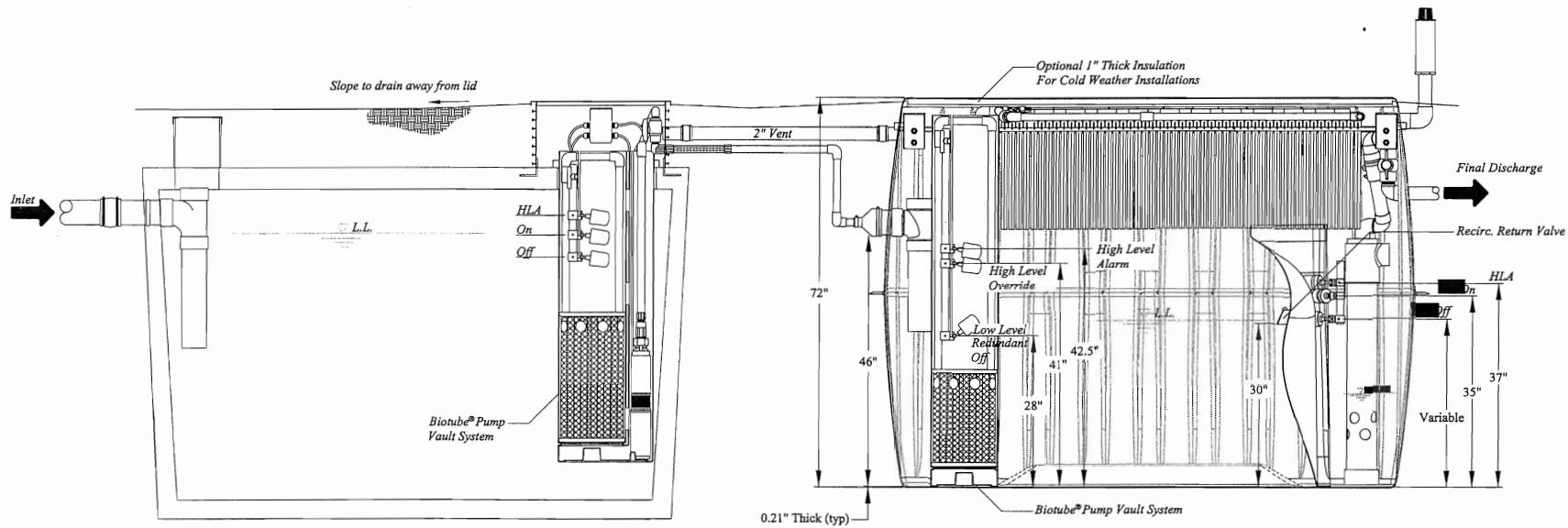
By Dan Wiltse at 5:02 pm, Jul 30, 2010

Treatment Standard 1 - Pump Discharge, 2-Comp. Recirculating Tank with Septic / Dosing Pump



1000 gal. Primary Tank - Top View

800 gal. Recirculating Tank - Top View



1000 gal. Primary Tank - Side View

800 gal. Recirculating Tank - Side View



Orenco Systems®
Incorporated

Title: AX20RT 2P Treatment Standard 1

Drawing No. NDW-ATX-RT-OR-05

Date: 6/22/2010 Scale: 1" = 20"

Drawn By: BEN SMITH

Drawing: / OF /

Revision: A-02

Designed By: ENGINEERING

Approved By:

Date Approved:

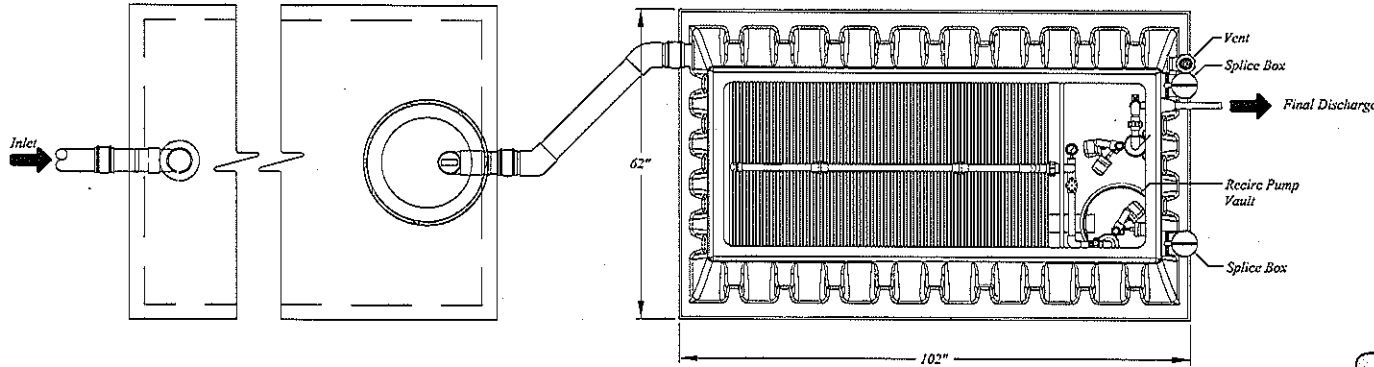
U.S. Patents 4,439,323
5,492,655-6,372,137-5,360,556
5,960,746-5,531,894- 5,480,561
Other Patents Pending
© 2005 Orenco Systems®, Inc

AX20RTN Pump Discharge, Treatment Standard 1

Filter Tank Dry Weight: 900 lbs

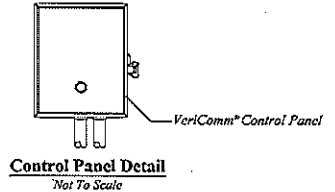
Design and Installation Notes

- For Expected Flows 4 Bedrooms or less
- Insulation To Be Performed By An AdvanTex Trained Installer Only
- Start-up And Service To Be Performed By An AdvanTex Trained Service Provider

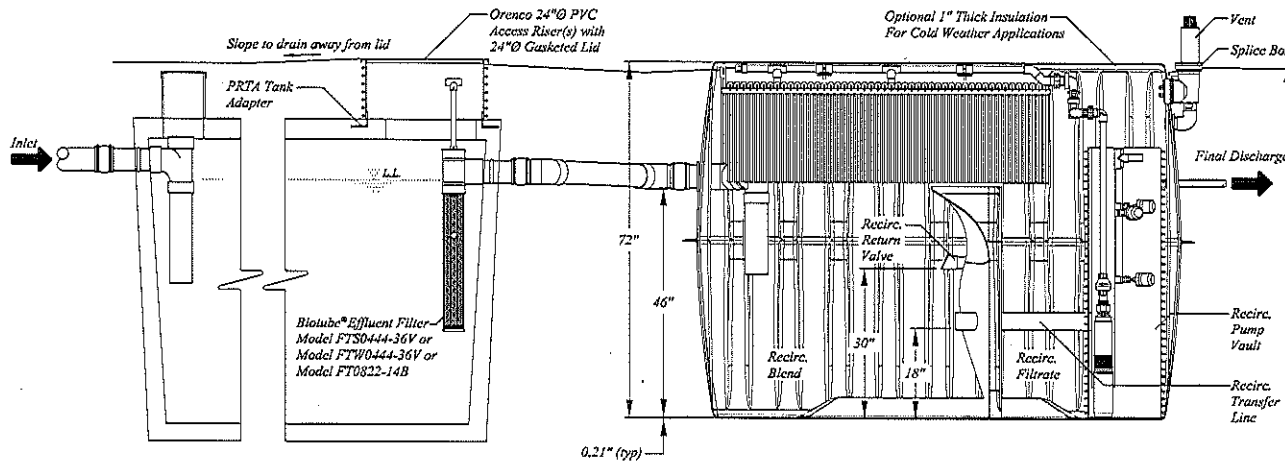


1000 gal. Primary Tank - Top View

AX20 800 gal. Recirc. Tank - Top View

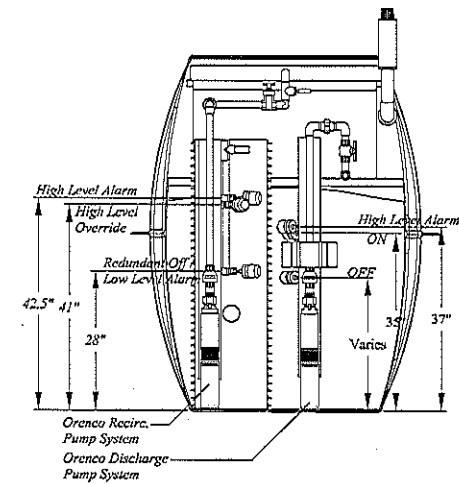


APPROVED
By Dan Wiltse at 10:27 am, Aug 17, 2011



1000 gal. Primary Tank - Side View

AX20 800 gal. Recirc. Tank - Side View



Discharge Chamber - End View

Copyright © 2011
Oreco Systems®, Inc.

UNAUTHORIZED CHANGES & USES

Oreco has prepared these drawings for use by the design engineer. Oreco will not be responsible or liable for unauthorized changes to or uses of these drawings. All changes to these drawings must be made in writing and must be approved by the design engineer.

PRODUCT CONFIGURATION DRAWINGS



Drawn By: BEN SMITH

Drawn For:

Project:
AX20RTN Treatment Standard 1

Title: NDW-ATX-RT-OR-01

Scale: 1" = 2'-0"

Sheet: 1 OF 1

Rev: A-04

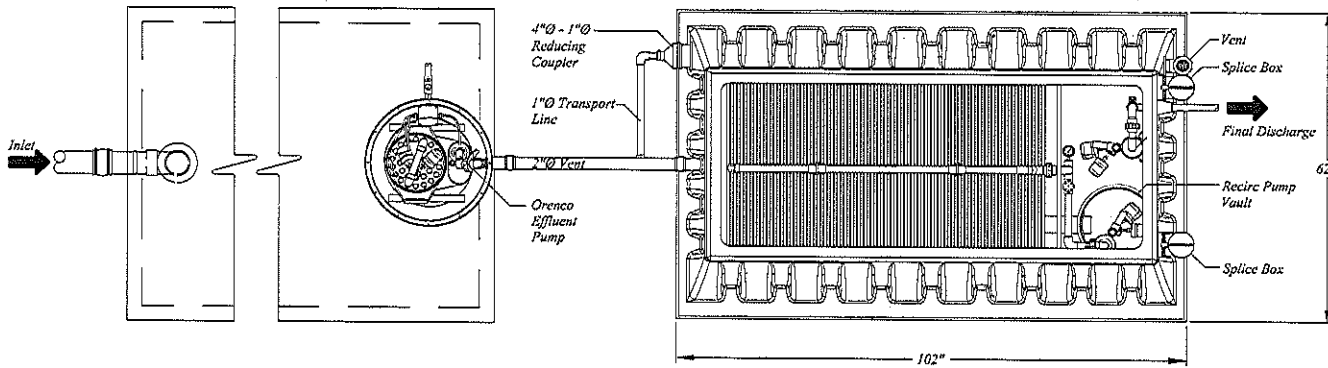
Date: 8/16/2011

AX20RTN Pump Discharge with Septic / Dosing Pump - Treatment Standard 1

Filter Tank Dry Weight: 900 lbs

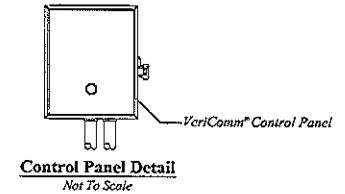
Design and Installation Notes

- For Expected Flows 4 Bedrooms or less
- Installation To Be Performed By An AdvanTex Trained Installer Only
- Start-up And Service To Be Performed By An AdvanTex Trained Service Provider

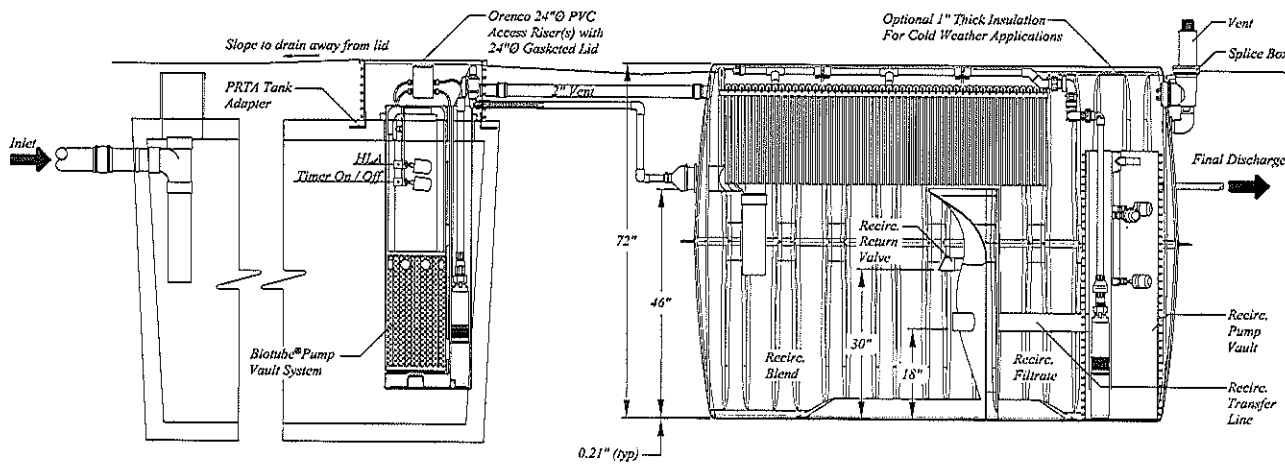


1000 gal. Primary Tank - Top View

AX20 800 gal. Recirc. Tank - Top View

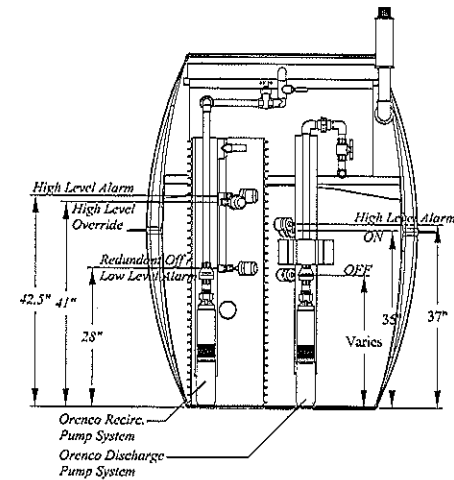


APPROVED
By Dan Wiltse at 10:27 am, Aug 17, 2011



1000 gal. Primary Tank - Side View

AX20 800 gal. Recirc. Tank - Side View



Discharge Chamber - End View

Copyright © 2011
Orenco Systems®, Inc.

UNAUTHORIZED CHANGES & USES

Orenco has prepared these drawings for use by the design engineer. Orenco will not be responsible or liable for unauthorized changes to or use of these drawings. All changes to these drawings must be made in writing and must be approved by the design engineer.

PRODUCT CONFIGURATION DRAWINGS



Drawn By: BEV SMITH

Drawn For:

Project:

AX20RTN Treatment Standard 1

Title:

NDW-ATX-RT-OR-05

Scale: 1" = 2'-0"

Sheet: 1 OF 1

Rev: A-07

Date: 8/16/2011

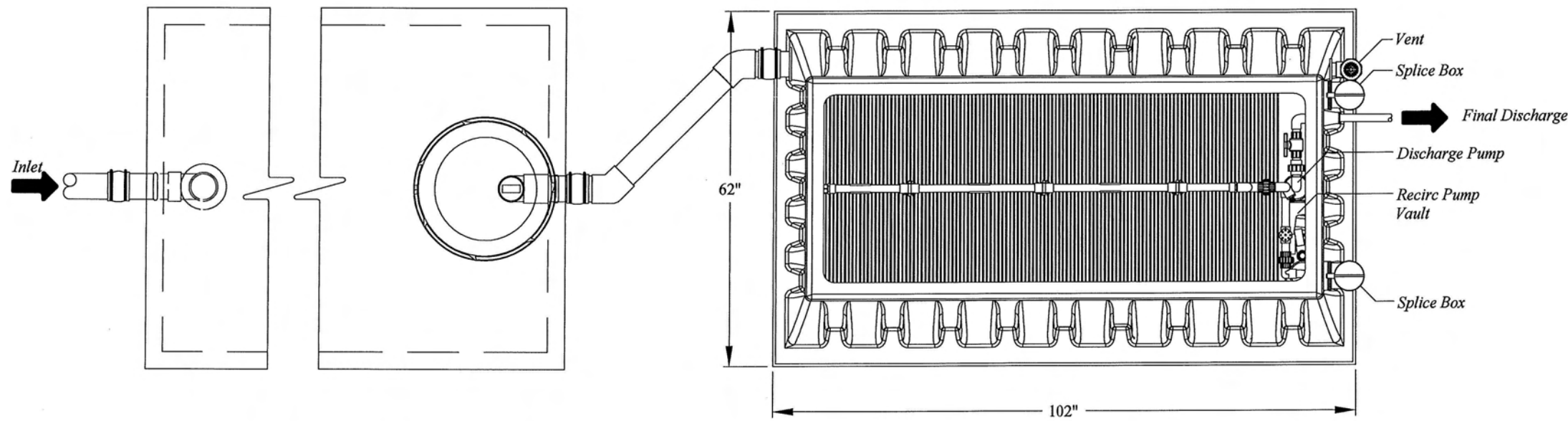
AX25RTN Pump Discharge - Treatment Standard 1

APPROVED
By Oregon DEQ on January 20, 2012

Filter Tank Dry Weight: 950 lbs

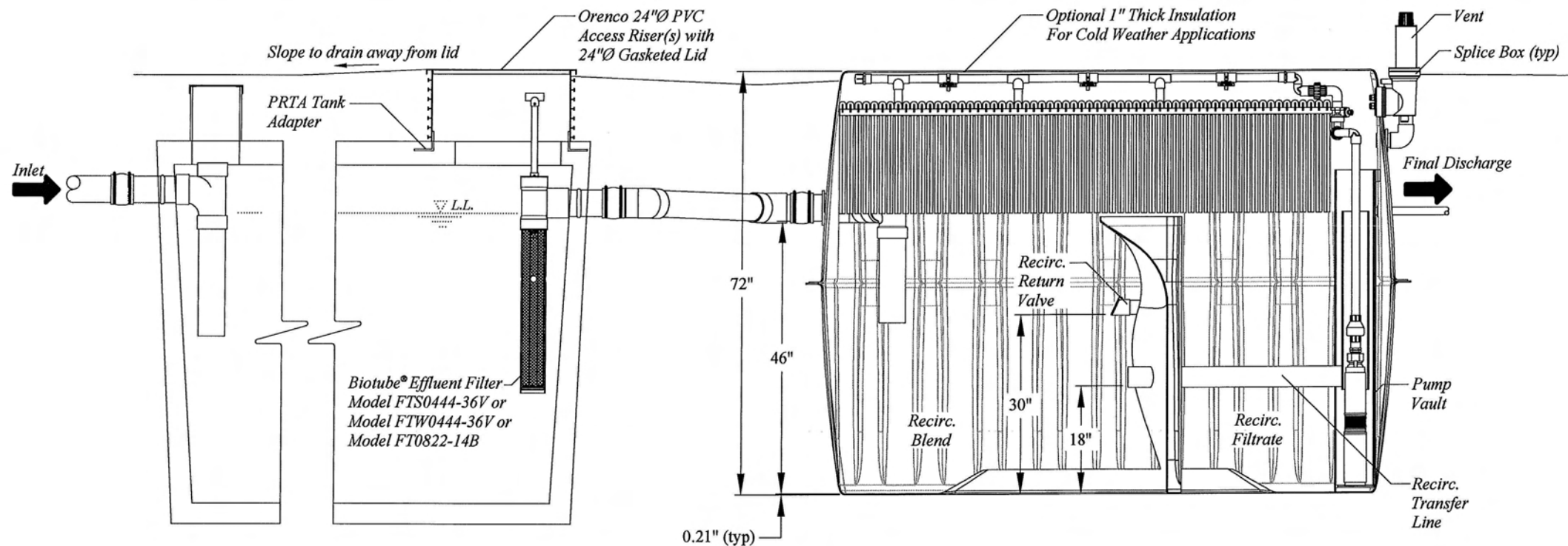
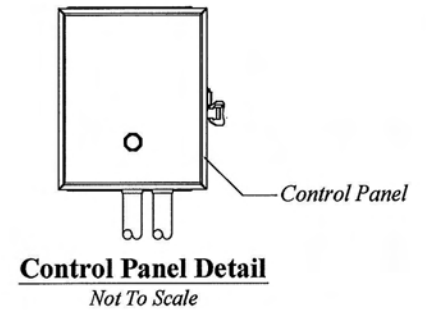
Design and Installation Notes

- For Expected Flows 6 Bedrooms or less
- Installation To Be Performed By An AdvanTex Trained Installer Only
- Start-up And Service To Be Performed By An AdvanTex Trained Service Provider



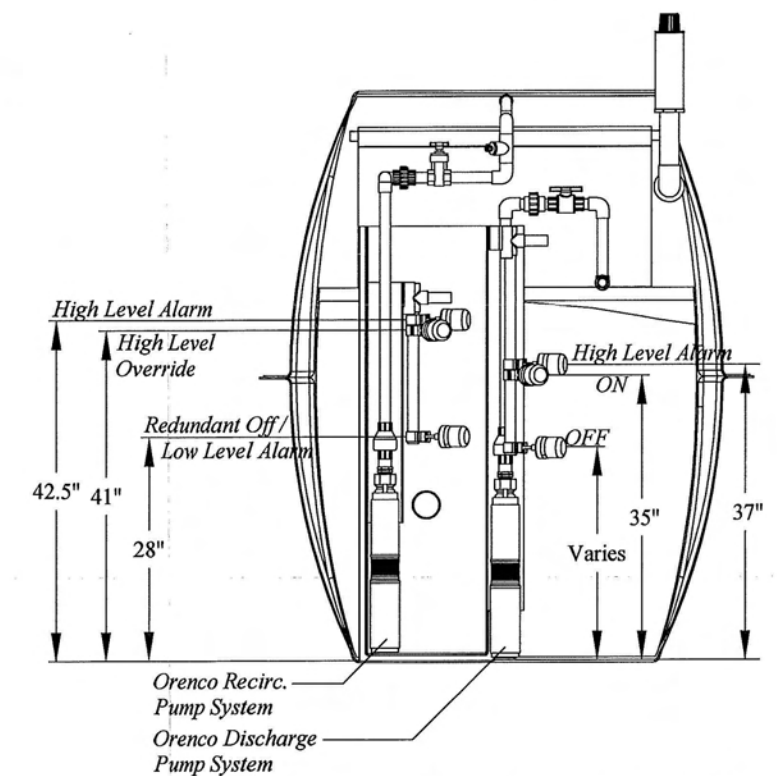
* Primary Tank - Top View

AX25 800 gal. Recirc. Tank - Top View



* Primary Tank - Side View

AX25 800 gal. Recirc. Tank - Side View



Discharge Chamber - End View

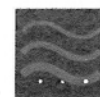
* 1,000 Gallons minimum capacity for 4 bedrooms
1,500 Gallons minimum capacity for 5 and 6 bedrooms.

Copyright © 2011
Orenco Systems®, Inc.

UNAUTHORIZED CHANGES & USES

Orenco has prepared these drawings for use by the design engineer. Orenco will not be responsible or liable for unauthorized changes to or uses of these drawings. All changes to these drawings must be made in writing and must be approved by the design engineer.

PRODUCT CONFIGURATION DRAWINGS



Orenco Systems® Incorporated
Changing the Way the World Does Wastewater®

Drawn By: **BEN SMITH**

Drawn For:

Project:
AX25RTN Treatment Standard 1

Title: **NDW-ATX-RT-OR-06**

Scale: **1" = 2'-0"**

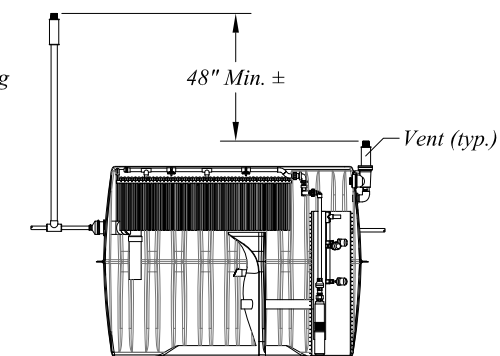
Sheet: **1 OF 1**

Rev: **A-02** Date: **12/23/2011**

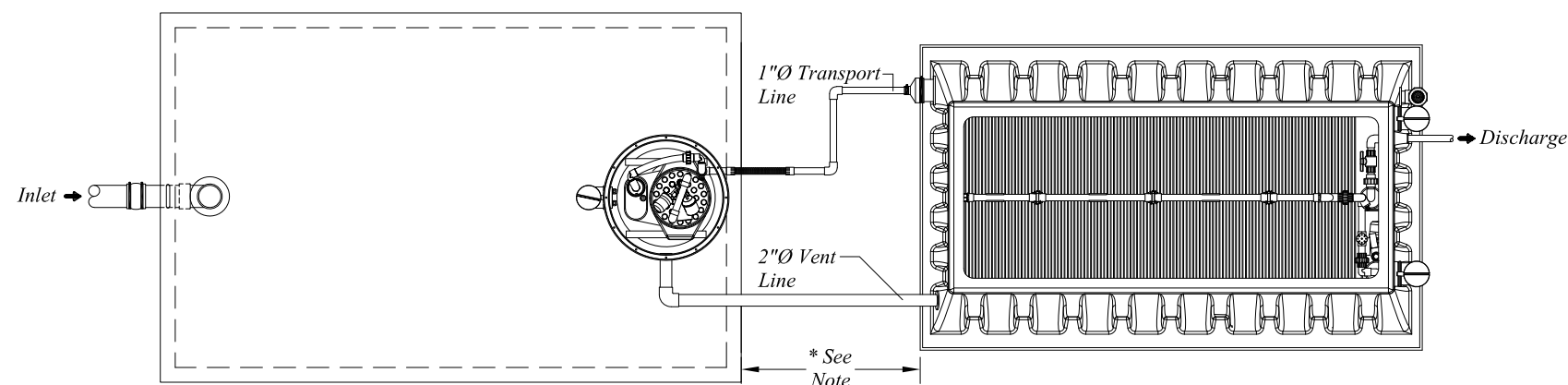
AdvanTex® AXRT Mode 1 - Treatment Standard 1

Additional drawing to January 20, 2012 approved drawing showing a pump option to AX25RT (Date added 8/16/2018)

Note: If distance between primary tank and RT unit is greater than 20 feet, use passive venting option preferably placing it near a wall or other location that will protect it from damage.

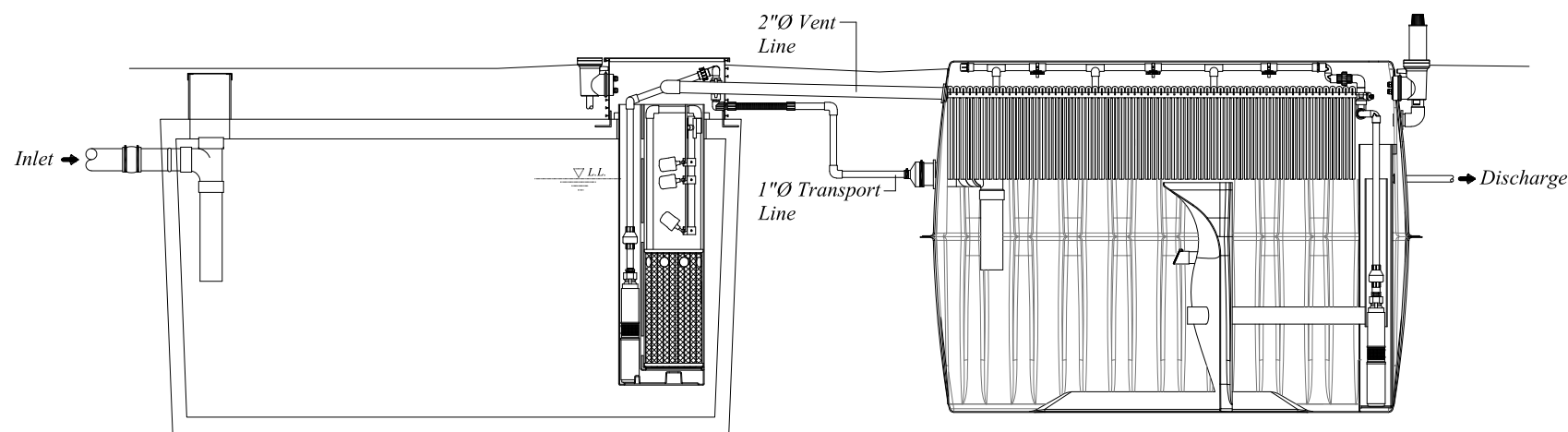


Passive Venting Option



1,500 Gal. (Minimum) Tank
Top View

AX25RT Treatment
Top View



1,500 Gal. (Minimum) Tank
Side View

AX25RT Treatment
Side View



© Orenco Systems, Inc.
Portions or all of this Standard System Configuration Drawing, as appropriate, may be reproduced and integrated into the site-specific layout and configuration of a system by its designer.

Disclaimer: This Standard System Configuration Drawing is provided solely as a design aid, and in no event should it be used as a replacement for site-specific engineering and design of the layout and configuration of an actual system. Orenco neither represents nor warrants that the configuration illustrated herein will perform in compliance with the requirements for any particular site or application.

AXRT - Treatment Standard 1

Pump to Inlet Option

Drawn By: BAS

Reviewed By: RM

File Name: NDW-ATX-OR-REG-II

Scale: 1" = 3'-0"

Sheet: 1 OF 1

Rev: 2.0 Date: 8/16/2017