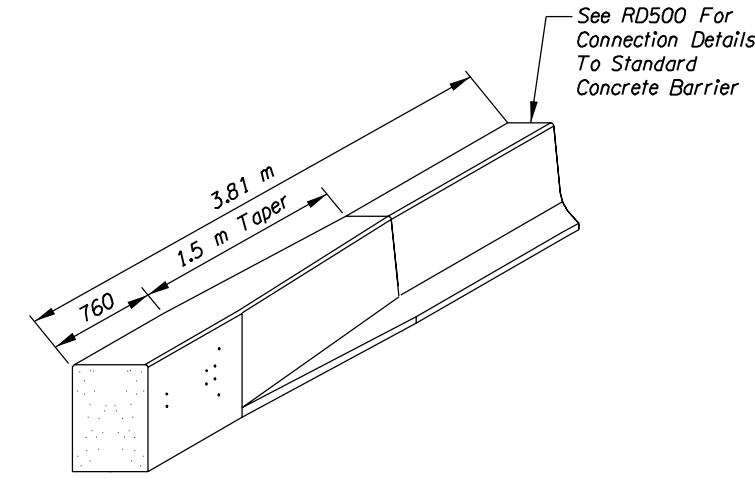
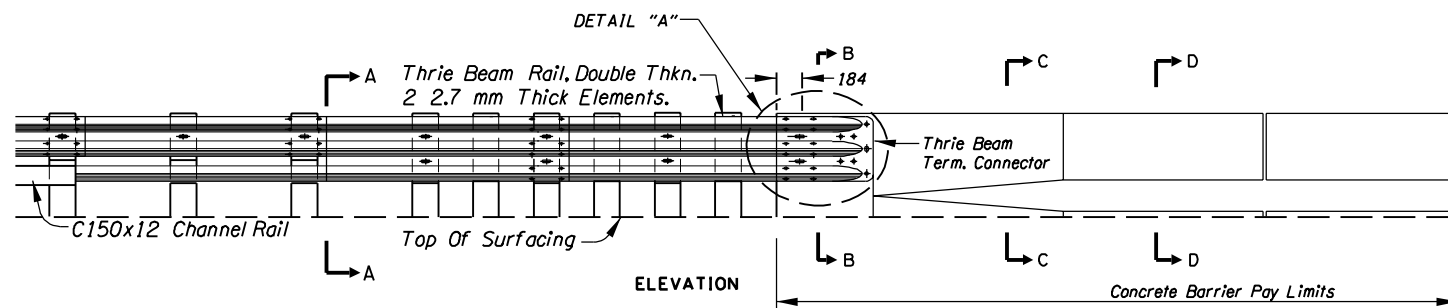
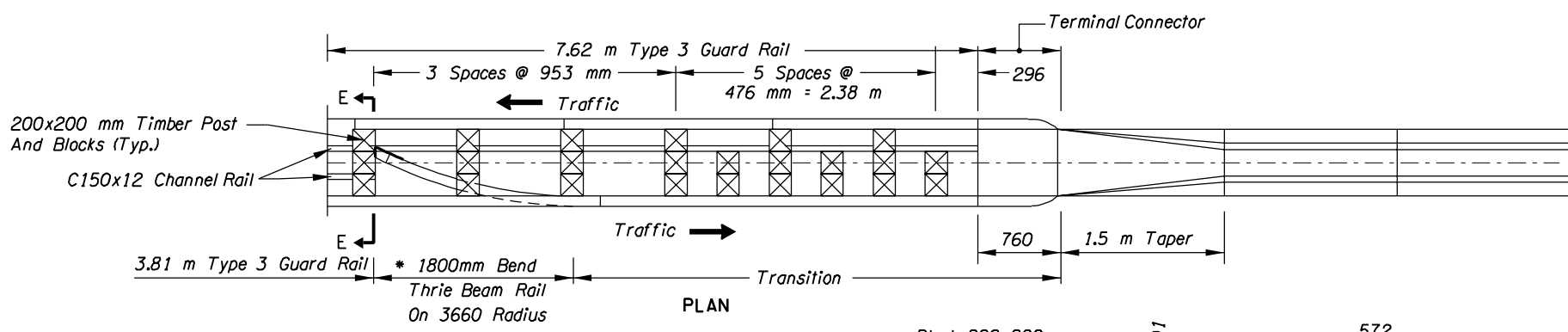


METAL MEDIAN BARRIER CONNECTION TO CONCRETE BARRIER

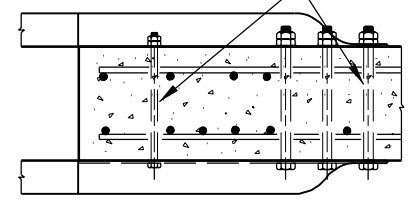


CAST-IN-PLACE TRANSITION SECTION
(See RD530 For Reinforcement Requirements)

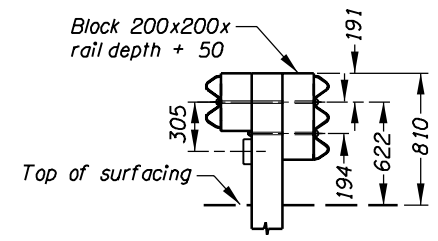


Drill Horizontal Bolt Holes (Bolt Dia. + 3 mm) In Hardened Concrete With Non-impact Rotary Drill.

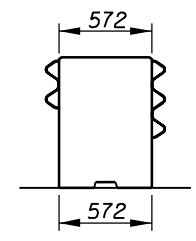
* Note:
As An Option, Use A Single 3.4 mm Thick Asymmetrical Transition Element, See RD410.



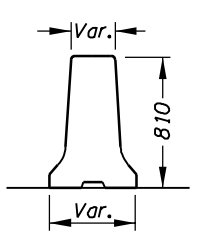
SECTION G-G



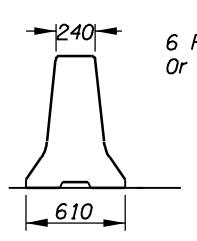
SECTION A-A



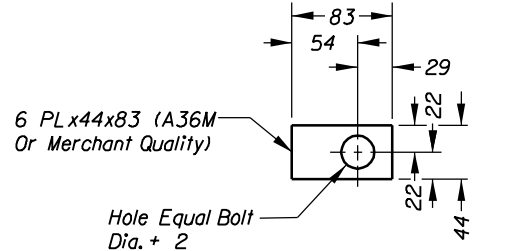
SECTION B-B



SECTION C-C

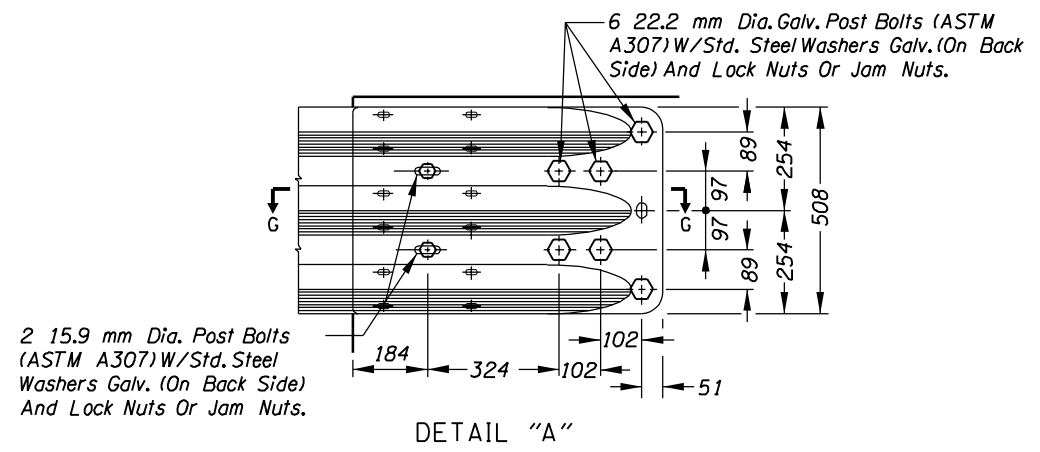


SECTION D-D

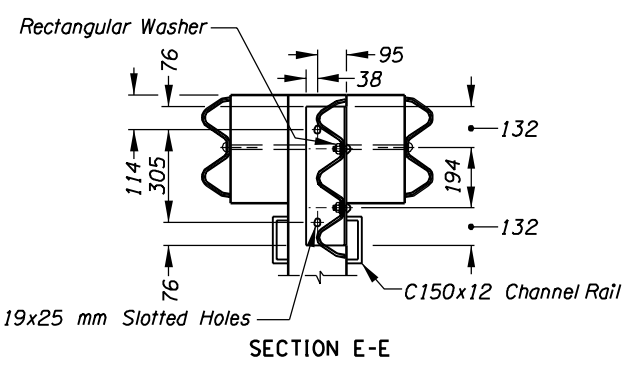


Note: Position Washer To Completely Cover Slotted Hole.

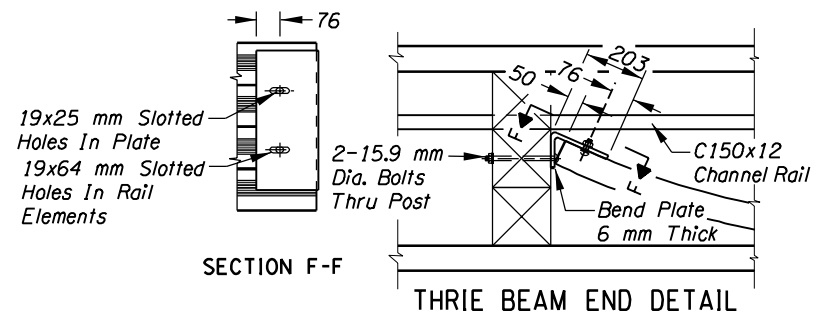
PLATE WASHER - "A"



DETAIL "A"



SECTION E-E



THRIE BEAM END DETAIL

1. For Metal Median Barrier Details See RD400.

OREGON DEPARTMENT OF TRANSPORTATION	
	SHEET NO.

net7360ab/usr/mdet/e_detail110.dgn 6-23-03

DET 110