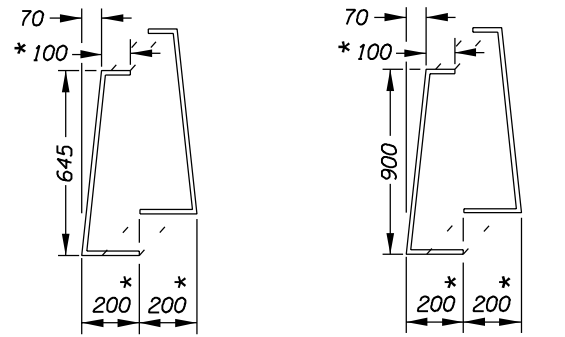


# 150 mm TOP CONCRETE BARRIER TO TALL CONCRETE BARRIER TRANSITION SECTION



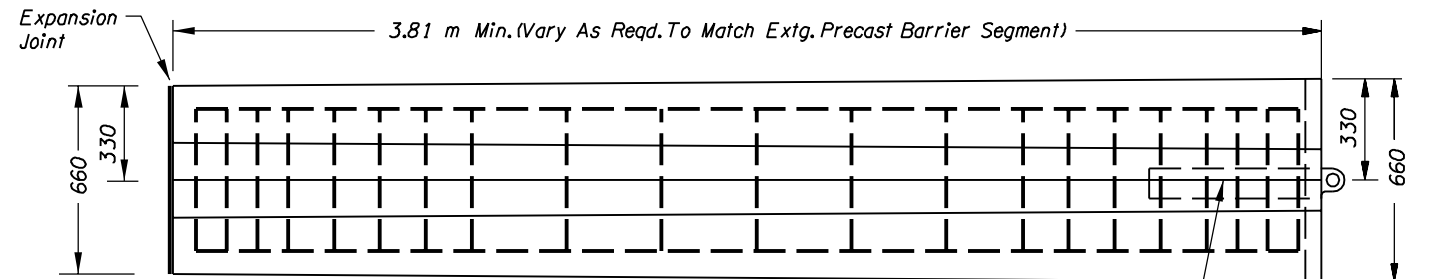
MODIFIED STIRRUP PAIR

SECTION A-A  
#13 Rebar

MODIFIED STIRRUP PAIR

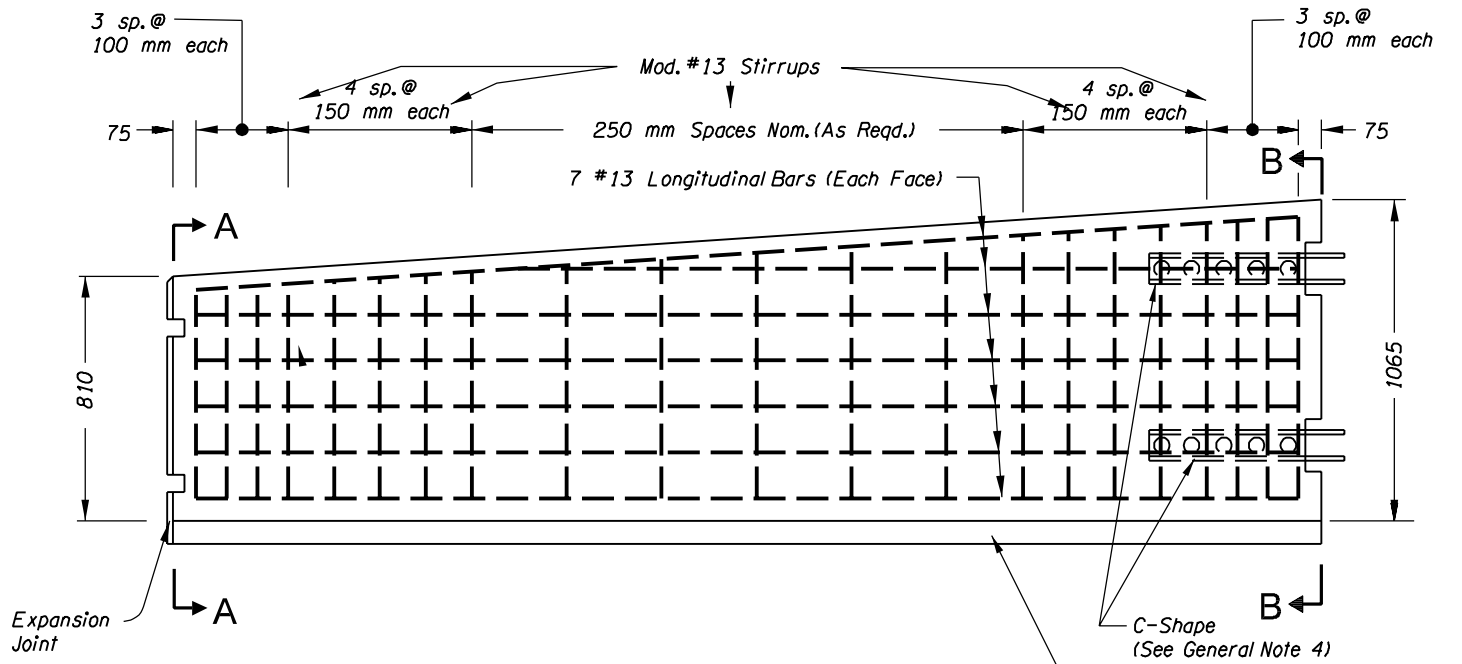
SECTION B-B  
#13 Rebar

\* Dimension Variable Through Transition Section.



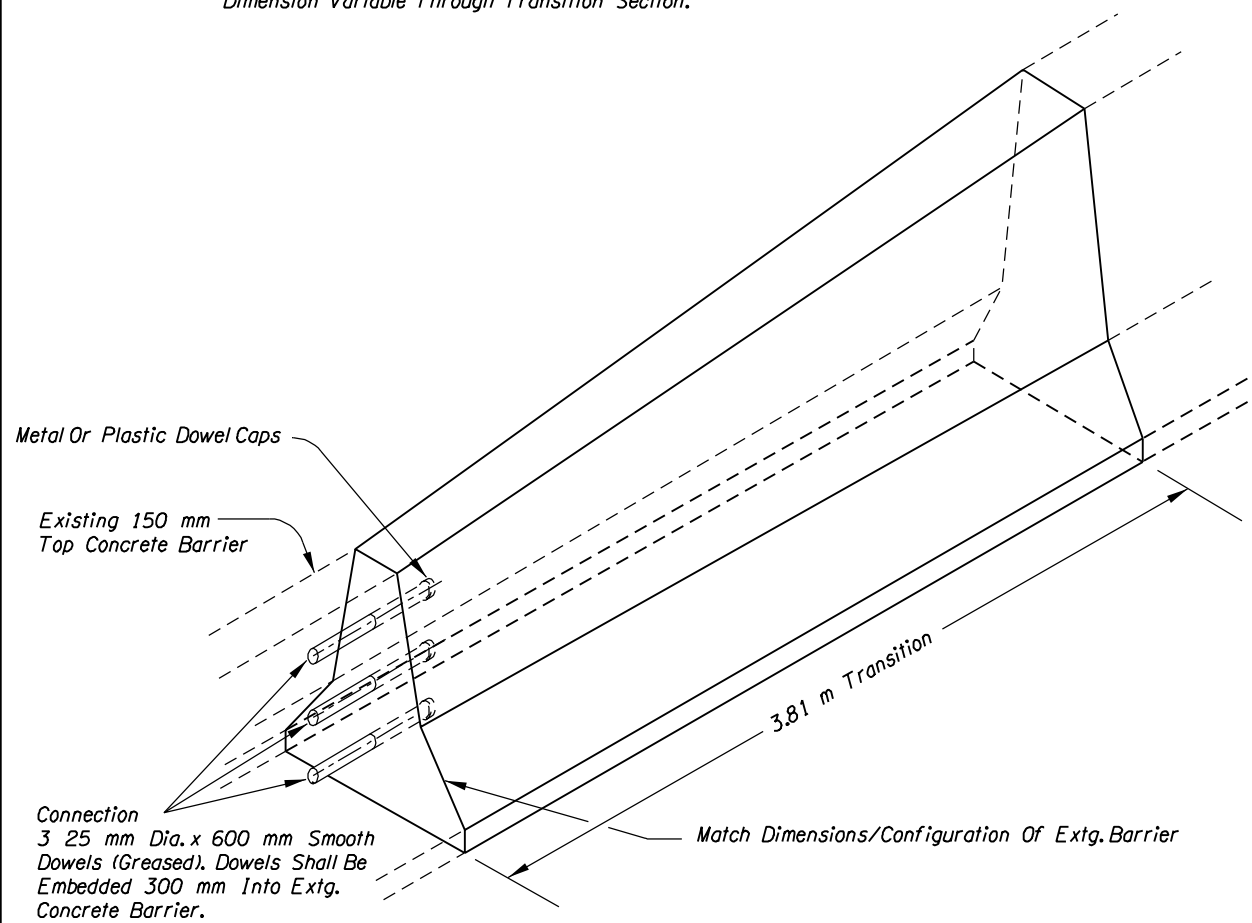
TRANSITION PLAN

C-Shape



TRANSITION ELEVATION

• All dimensions are in mm unless otherwise noted.



3.81 m TRANSITION SECTION FOR  
MEDIAN BARRIER OR SHOULDER BARRIER (CAST IN PLACE)

**GENERAL NOTES:**

- See Drg. No. RD500 For Details Not Shown.
- All Reinforcing Steel Shall Conform To ASTM A706M Or AASHTO M31M (ASTM A615M) Grade 420
- All Metal Reinforcement Shall Be 40 mm (Min.) Clear Of Nearest Face Of Concrete, Unless Otherwise Shown.
- Field verify end configurations of connecting barriers prior to forming connections at transitions. Dowelled connection is an acceptable alternative.

OREGON DEPARTMENT OF TRANSPORTATION

SHEET NO.

ne7360ab/usr/mdet/detail107.dgn 6-10-03

DET 107