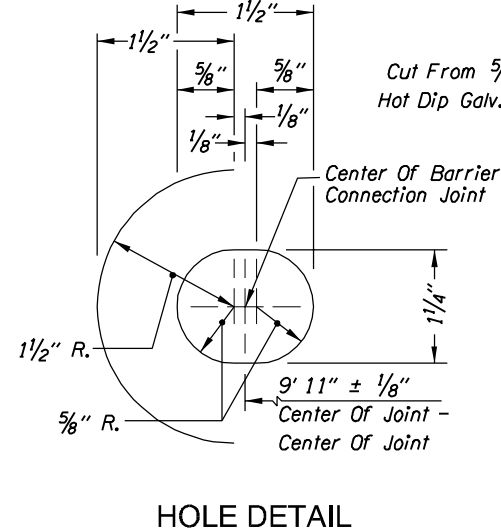
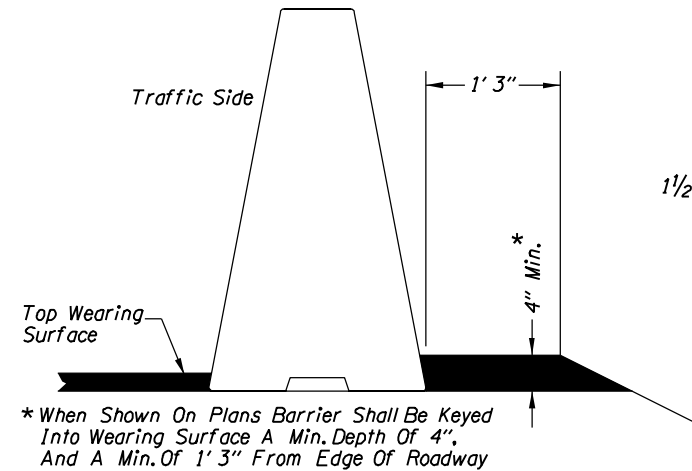
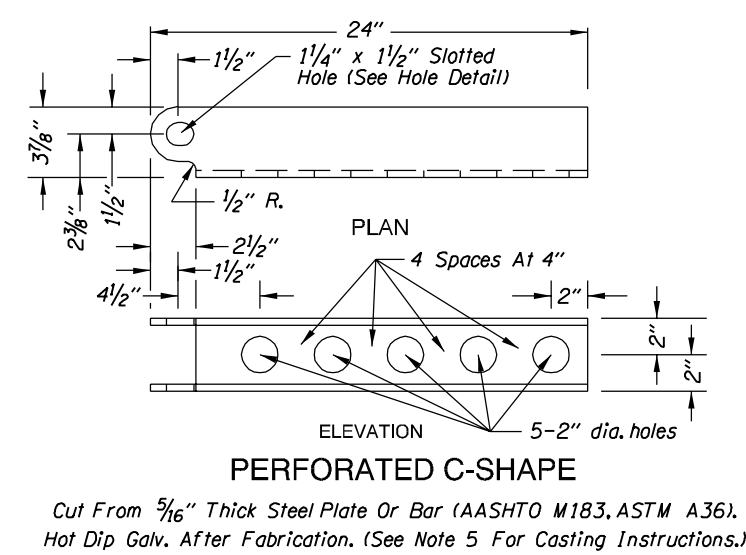
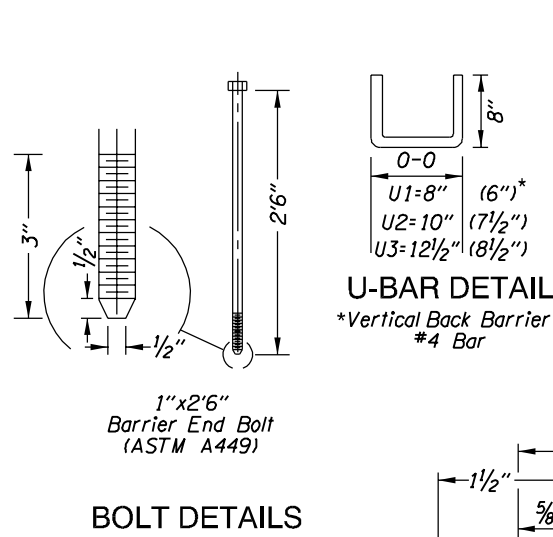
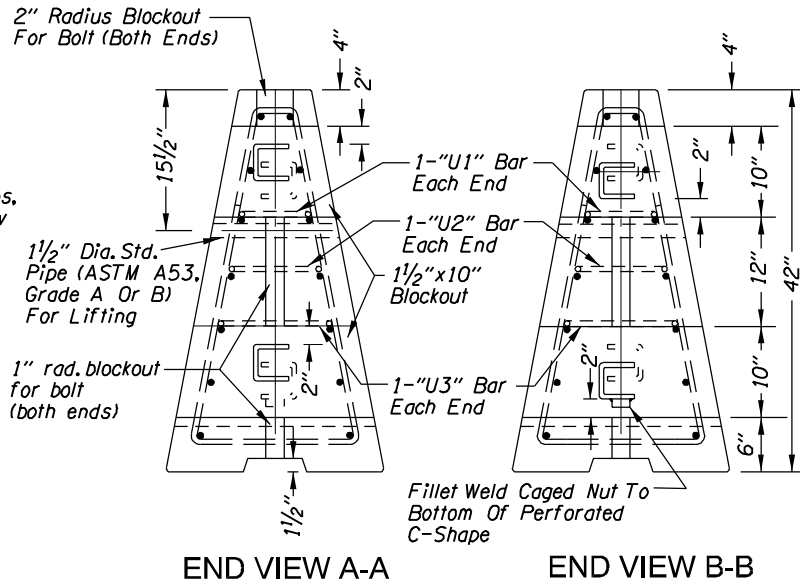
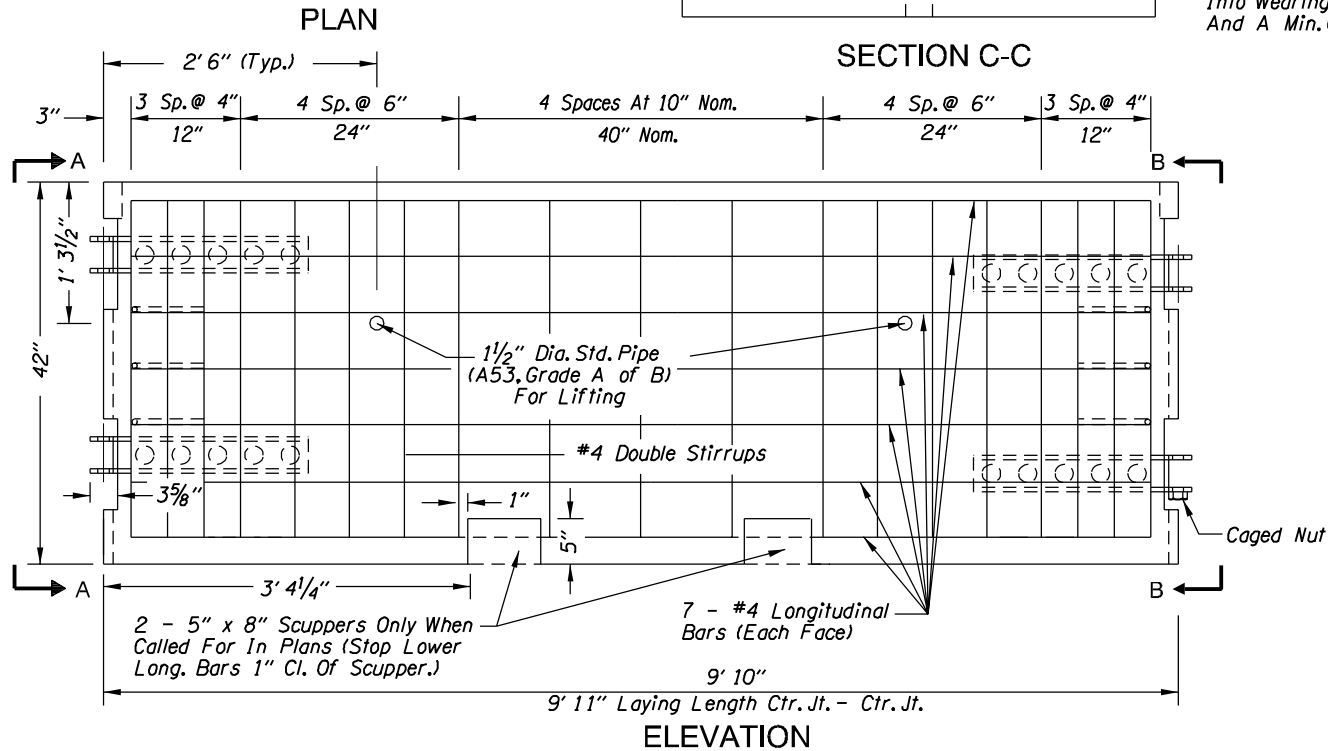
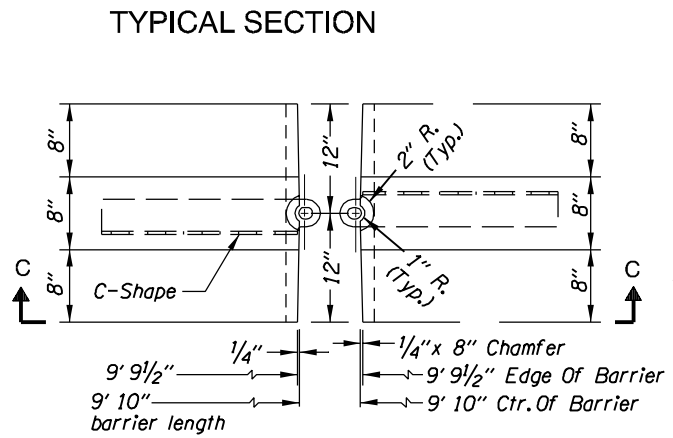
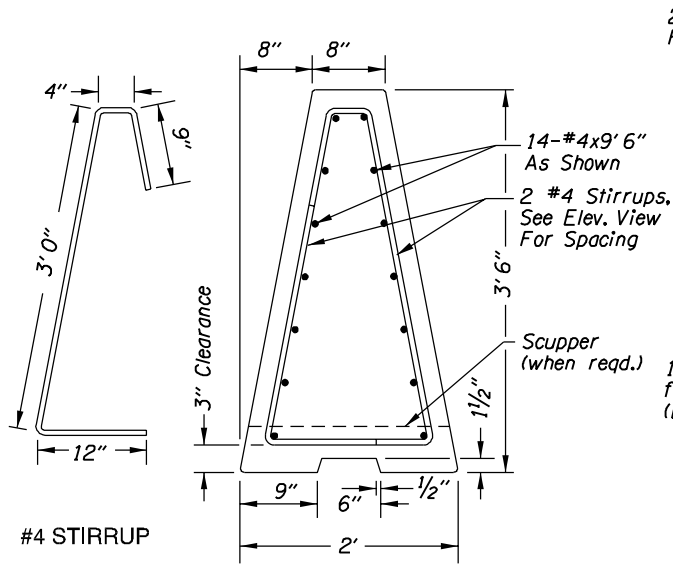
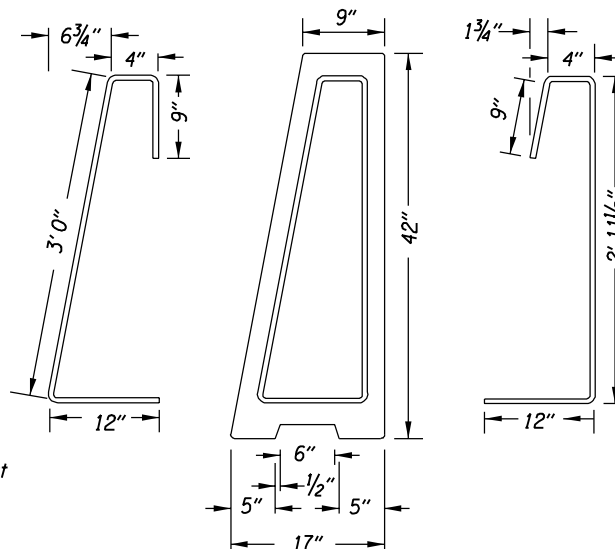


PRECAST SINGLE SLOPE CONCRETE BARRIER



- General Notes
1. All Reinforcing Steel Shall Conform To ASTM A706 Or AASHTO M31 (ASTM A615) Grade 420. All Bars Shall Be Full Length As Shown And Shall Be Placed 1 1/2" Clear Of The Nearest Face Of Conc. Unless Shown Otherwise.
 2. All Structural Steel Including Fasteners Shall Be Hot-dip Galvanized After Fabrication.
 3. Norm. Use Of Precast Single Slope Median Barrier Is Restricted To Curves With Radii Greater Than 820'.
 4. Chamfer All Edges 3/4" (typical).
 5. Perforated C-shape Shall Be Placed In Location Shown To A Tolerance Of 1/16".
 6. Estimated Barrier Weight Is 6900 lbs. Per Unit Length. Estimated Vertical Backed Barrier Weight Is 5500 lbs.



NARROW BASE BARRIER
Only Use Against Retaining Walls Or As Directed.
(For Details Not Shown See Other Barrier Details On This Sheet.)

OREGON DEPARTMENT OF TRANSPORTATION	
	SHEET NO.