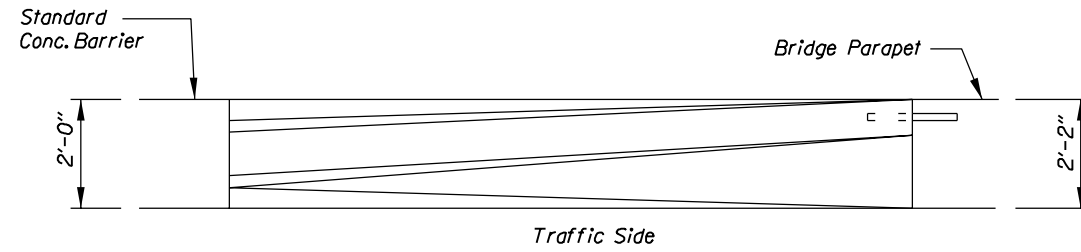
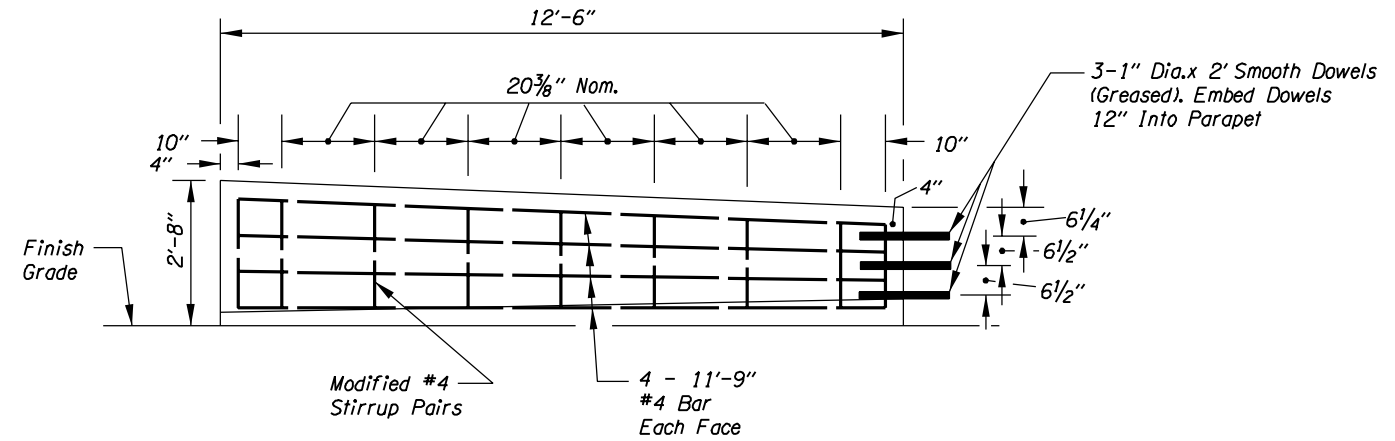
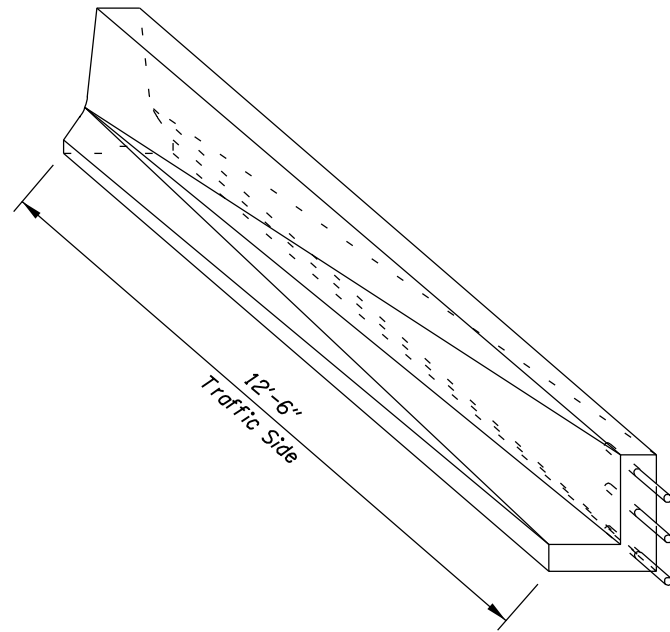


# CAST IN PLACE CONCRETE BARRIER TRANSITION TO PARAPET RAIL



PLAN



ELEVATION

All Reinforcement To Be 2" Clear Of Face Of Concrete Unless Otherwise Shown

OREGON DEPARTMENT OF TRANSPORTATION

SHEET NO.